



Microgrids and Active Distribution Networks

S. Chowdhury, S.P. Chowdhury
and P. Crossley

IET RENEWABLE ENERGY SERIES 6

Microgrids and Active Distribution Networks

Microgrids and Active Distribution Networks

S. Chowdhury, S.P. Chowdhury and P. Crossley

The Institution of Engineering and Technology

Published by The Institution of Engineering and Technology, London, United Kingdom

© 2009 The Institution of Engineering and Technology

First published 2009

This publication is copyright under the Berne Convention and the Universal Copyright Convention. All rights reserved. Apart from any fair dealing for the purposes of research or private study, or criticism or review, as permitted under the Copyright, Designs and Patents Act 1988, this publication may be reproduced, stored or transmitted, in any form or by any means, only with the prior permission in writing of the publishers, or in the case of reprographic reproduction in accordance with the terms of licences issued by the Copyright Licensing Agency. Enquiries concerning reproduction outside those terms should be sent to the publishers at the undermentioned address:

The Institution of Engineering and Technology
Michael Faraday House
Six Hills Way, Stevenage
Herts, SG1 2AY, United Kingdom

www.theiet.org

While the author and publisher believe that the information and guidance given in this work are correct, all parties must rely upon their own skill and judgement when making use of them. Neither the author nor publisher assumes any liability to anyone for any loss or damage caused by any error or omission in the work, whether such an error or omission is the result of negligence or any other cause. Any and all such liability is disclaimed.

The moral rights of the authors to be identified as authors of this work have been asserted by them in accordance with the Copyright, Designs and Patents Act 1988.

British Library Cataloguing in Publication Data

A catalogue record for this product is available from the British Library

ISBN 978-1-84919-014-5

Typeset in India by Macmillan Publishing Solutions
Printed in the UK by Athenaeum Press Ltd, Gateshead, Tyne & Wear

Dedicated to our students

Contents

Foreword	xiv
Preface	xv
Acknowledgements	xvii
List of abbreviations	xviii
1 Distributed generation and Microgrid concept	1
1.1 Distributed generation	1
1.2 Why integration of distributed generation?	2
1.3 Active distribution network	2
1.4 Concept of Microgrid	3
1.5 A typical Microgrid configuration	4
1.6 Interconnection of Microgrids	8
1.7 Technical and economical advantages of Microgrid	8
1.8 Challenges and disadvantages of Microgrid development	10
1.9 Management and operational issues of a Microgrid	11
1.10 Dynamic interactions of Microgrid with main grid	11
1.11 Conclusion	12
2 Distributed energy resources	15
2.1 Introduction	15
2.2 Combined heat and power (CHP) systems	15
2.2.1 Micro-CHP systems	16
2.3 Wind energy conversion systems (WECS)	26
2.3.1 Wind turbine operating systems	27
2.4 Solar photovoltaic (PV) systems	29
2.4.1 Types of PV cell	30
2.5 Small-scale hydroelectric power generation	32
2.6 Other renewable energy sources	32
2.7 Storage devices	33
2.8 Conclusion	33
3 Impacts of Microgrid	35
3.1 Introduction	35
3.2 Impact on heat utilisation	36
3.2.1 Supply of thermal energy	36
3.2.2 Absorption chillers	38

3.2.3	Desiccant dehumidifiers	38
3.2.4	Thermal energy storage	39
3.3	Impact on process optimisation	39
3.3.1	HVAC system optimisation	39
3.3.2	Power quality	41
3.3.3	Power cost considerations	42
3.3.4	Costs of transmission congestion	42
3.3.5	Basic Microgrid cost considerations	42
3.4	Impact on market	43
3.4.1	Possibilities in the electricity market	43
3.4.2	Gas market and its difficulties	44
3.4.3	Necessary market reforms	45
3.5	Impact on environment	46
3.5.1	Minimisation of pollutant deposition	46
3.6	Impact on distribution system	47
3.6.1	Ancillary services	48
3.6.2	Distribution system issues of Microgrid	51
3.7	Impact on communication standards and protocols	52
3.7.1	Protocols, communication procedures and gateways	52
3.7.2	Alternative communications	53
3.8	Conclusion	54
4	Microgrid and active distribution network management system	57
4.1	Introduction	57
4.2	Network management needs of Microgrid	57
4.2.1	Microsource generation control	58
4.2.2	Domestic process control	58
4.2.3	Energy storage	59
4.2.4	Regulation and load shifting	59
4.2.5	Ancillary services	60
4.3	Microsource controller	61
4.3.1	Control functions for microsource controller	61
4.4	Central controller	65
4.4.1	Energy manager module (EMM)	65
4.4.2	Protection co-ordination module (PCM)	68
4.4.3	Information needed for central controller operation	71
4.4.4	Control strategies for central controller design	74
4.5	Conclusion	76
5	Protection issues for Microgrids	77
5.1	Introduction	77
5.2	Islanding: separation from utility	79
5.2.1	Different islanding scenarios	80
5.3	Major protection issues of stand-alone Microgrid	84
5.3.1	Microgrid distribution system protection	84
5.3.2	Protection of microsources	88

5.3.3	NEC requirements for distribution transformer protection	90
5.3.4	Neutral grounding requirements	91
5.4	Conclusion	94
6	Power electronic interfaces	97
6.1	Introduction	97
6.2	Background	97
6.2.1	Standard computer architecture	98
6.2.2	Very large scale integration (VLSI)	98
6.3	Power converter trends	99
6.3.1	Custom design and manufacturing	99
6.3.2	Power module integration and component packaging	99
6.3.3	Power electronic building blocks (PEBB)	100
6.3.4	Packaging framework design	100
6.4	Bricks-Buses-Software (BBS) framework	100
6.4.1	Bricks as modular components	101
6.4.2	Buses as connective links	103
6.4.3	High-level software design environment	104
6.5	BBS framework issues	105
6.5.1	Modularity	105
6.5.2	Aspect ratio	105
6.5.3	Parasitic inductance	106
6.5.4	Cross coupling and loading	106
6.6	Conclusion	106
7	SCADA and active distribution networks	109
7.1	Introduction	109
7.2	Existing DNO SCADA systems	109
7.3	Control of DNO SCADA systems	110
7.3.1	Centralised SCADA systems	110
7.3.2	Distributed SCADA systems	111
7.4	SCADA in Microgrids	111
7.5	Human-machine interface (HMI)	112
7.6	Hardware components	112
7.6.1	Remote terminal unit (RTU)	113
7.6.2	Programmable logic controller (PLC)	114
7.6.3	Master station and HMI computers	115
7.6.4	SCADA communication infrastructure	115
7.7	Communication trends in SCADA	116
7.8	Distributed control system (DCS)	117
7.9	Sub-station communication standardisation	118
7.10	SCADA communication and control architecture	119
7.11	Communication devices	119
7.12	Observations on SCADA and communication	120
7.13	Conclusion	123

8	Impact of DG integration on power quality and reliability	125
8.1	Introduction	125
8.2	Power quality disturbances	126
8.2.1	Transients	127
8.2.2	Voltage sags and swells	127
8.2.3	Over-voltages and under-voltages	127
8.2.4	Outage	128
8.2.5	Harmonic distortion	128
8.2.6	Voltage notching	129
8.2.7	Flicker	130
8.2.8	Electrical noise	130
8.3	Power quality sensitive customers	130
8.4	Existing power quality improvement technologies	132
8.4.1	Alternative power supply technologies	133
8.4.2	Power-conditioning technologies	133
8.5	Impact of DG integration	136
8.5.1	Simple standby generation scheme	137
8.5.2	Secondary DG system with power quality support	138
8.5.3	Primary DG system with power quality support to priority loads	139
8.5.4	Soft grid-connected DG with power quality support to priority loads	139
8.5.5	DG with intermittent solar PV within power quality environment	139
8.5.6	DG with intermittent wind generator within power quality environment	140
8.5.7	Ultra-high reliability scheme using dual link DC bus	141
8.6	Issues of premium power in DG integration	142
8.7	Conclusion	143
9	Microgrid economics	145
9.1	Introduction	145
9.2	Main issues of Microgrid economics	145
9.3	Microgrids and traditional power system economics	146
9.3.1	Joint optimisation of heat and electric power supply	147
9.3.2	Joint optimisation of demand and supply	148
9.4	Emerging economic issues in Microgrids	148
9.5	Economic issues between Microgrids and bulk power systems	149
9.6	Microgrid economics: the UK scenario	149
9.6.1	Microgeneration	149
9.6.2	Regulatory issues and regulation activities	152
9.6.3	Microgeneration technologies: economic perspectives in the UK	152
9.6.4	Potential benefits of Microgrid economics	153
9.6.5	Future developments of Microgrid economics	154
9.7	Conclusion	155

10	Market participation of Microgrids	157
10.1	Introduction	157
10.2	Restructuring models	158
10.2.1	PoolCo Model	158
10.2.2	Bilateral Contracts Model	159
10.2.3	Hybrid Model	159
10.3	Independent System Operator (ISO)	160
10.3.1	Background	160
10.3.2	The role of ISO	161
10.4	Power exchange (PX)	162
10.5	Market clearing price (MCP)	163
10.6	Day-ahead and hour-ahead markets	163
10.7	Elastic and inelastic markets	164
10.8	Market power	164
10.8.1	Vertical market power	165
10.8.2	Horizontal market power	165
10.9	Stranded costs	166
10.10	Transmission pricing	166
10.10.1	Contract path method	167
10.10.2	MW-mile method	167
10.11	Congestion management	167
10.11.1	Congestion pricing	169
10.11.2	Transmission rights	169
10.11.3	Management of inter-zonal and intra-zonal congestions	170
10.12	Role of Microgrid in power market competition	170
10.12.1	Retail wheeling	170
10.12.2	Ancillary services	171
10.12.3	Role of aggregators	172
10.13	Conclusion	175
 Appendix A: Modelling and performance analysis of microturbine in stand-alone and grid-connected modes		 177
A.1	Model description	177
A.2	Model parameters	179
A.3	Case studies	179
A.3.1	Stand-alone mode	182
A.3.2	Grid-connected mode	184
A.3.3	MTG performance	190
 Appendix B: Dynamic modelling and performance analysis of a DFIG wind energy conversion system		 191
B.1	Model description	191
B.1.1	Wind velocity module	192
B.1.2	Gear model	193
B.1.3	DFIG model	195
B.2	Case study	199

Appendix C: Software simulation of PEM fuel cell system for dynamic performance analysis	201
C.1 PEMFC power generation system	201
C.2 Dynamic model of PEMFC	201
C.3 Reformer model	204
C.4 Power-conditioning unit model	204
C.5 Model parameters	205
C.6 Case study with PI controller	205
C.7 Design of fuzzy logic controller	207
C.7.1 Fuzzy rule base	210
C.8 Case study with fuzzy logic controller	211
Appendix D: Application of solid-oxide fuel cell in distributed power generation	215
D.1 SOFC power generation system	215
D.2 Dynamic model of SOFC	216
D.3 Model of the SOFC power generation system	218
D.3.1 Model parameters	219
D.3.2 Power and voltage control strategy	220
D.4 Case study	221
Appendix E: Modelling and performance evaluation of a stand-alone photovoltaic (PV) plant with maximum power point tracking	227
E.1 Photovoltaic modelling	227
E.2 Double diode model of the polycrystalline cell	228
E.3 Modelling of PV array	229
E.3.1 Calculation of V_{oc}	231
E.3.2 Calculation of P_m , V_{pm} and I_{pm}	231
E.3.3 Calculation of V_{ocar} , P_{mar} and V_{pmar}	231
E.3.4 Calculation of internal resistance R_{inar}	231
E.4 Case studies and results	232
E.4.1 Case 1	232
E.4.2 Case 2	232
E.4.3 Case 3: Modelling of load-shedding scheme	237
Appendix F: Setting of market clearing price (MCP) in Microgrid power scenario	239
F.1 Proposed market structure for Microgrid participation	239
F.2 Bidding procedure	240
F.3 Rules of MCP	241
F.4 Formulation of MCP	241
F.4.1 Single-side bid market	242
F.4.2 Double-side bid market	243

F.5	Case study	244
F.5.1	Case 1: Linear supply bid with fixed demand (i.e. single-sided bid market)	244
F.5.2	Case 2: Linear supply bid with linear demand bid (i.e. double-sided bid market)	247
F.6	Impacts on electricity market	249
Appendix G: Islanding operation of distributed generators in active distribution networks – simulation studies		251
G.1	Background	251
G.2	System configuration	253
G.3	Case studies	255
G.3.1	Case study 1	255
G.3.2	Case study 2	255
G.3.3	Case study 3	258
Bibliography		265
Index		281

Foreword

Another book on distributed generation? Too much seems to have been published recently on renewable energy sources and active distribution networks. Whole conferences are devoted to the topics. Well-funded research programmes and government-regulated subsidies stimulate and encourage investment in the new systems. It is precisely this volume of material that makes this book welcome at this time.

Brought together by their common interest and complementary experience, Sunetra Chowdhury, SP Chowdhury and Peter Crossley have collated and integrated the many parallel developments in distributed generation during the past 10 years. Their book is a worthy successor to *Embedded Generation* by Nick Jenkins and his colleagues published in 2000, also by the IET. Without repeating the material in that work, the new book brings the technology up to date.

The authors have not neglected the aspects of new energy technologies that make distributed generation so attractive from an environmental perspective. However, the emphasis in this book is on the supporting technologies that can turn conventional passive electricity delivery networks into the active networks of the future. The focus is clearly on integrating the new, dispersed sources with the systems of dominant central generation, and on allowing the new technologies to operate effectively in isolated systems.

Power electronics, communications and protection introduce the ‘smart’ into the grids of the future. The point is often lost that smart grids can be no better than the smart engineers who conceive and implement them. The clear presentation of the details of these enabling technologies makes this book a valuable reference for research students and those engineers involved in the planning, design and installation of new systems or the upgrading of existing ones.

But this book is not only for the technical specialists. Technology in isolation is seldom successful. Good designs succeed in the appropriate context. So this book also presents the economic and market aspects of active systems and dispersed generation, which are needed to complement the technical expertise of the engineers.

Finally, this book comes at a critical time in the environmental and economical evolution of the electricity industry. For many already in the industry and the students who will be entering it, the future will be different, confusing, challenging and even exciting. A sound understanding of the material in this book will help individuals and utilities adapt to the changes. Yes, it is another book on distributed generation – a timely, relevant, balanced and readable one.

Prof. CT Gaunt
University of Cape Town

Preface

Power and energy engineers, academics, researchers and stakeholders everywhere are pondering the problems of depletion of fossil fuel resources, poor energy efficiency and environmental pollution. Hence there is a new trend of generating energy locally at distribution voltage level by using small-scale, low-carbon, non-conventional and/or renewable energy sources, like natural gas, biogas, wind power, solar photovoltaic, fuel cells, microturbines, Stirling engines, etc., and their integration into the utility distribution network. This is termed as dispersed or distributed generation (DG) and the generators are termed as distributed energy resources (DERs) or microsources. In the late 1990s, the major issues related to DG were extensively investigated by the working groups of CIGRE and CIRED in their review reports. As part of the Kyoto Protocol, many countries are planning to cut down greenhouse gas emissions (carbon and nitrogen by-products) to counter climate change and global warming. Hence many governments are coming up with new energy generation and utilisation policies to support proper utilisation of these low-carbon generation technologies.

Conventional electricity networks are in the era of major transition from passive distribution networks with unidirectional electricity transportation to active distribution networks with DERs and hence bidirectional electricity transportation. Active distribution networks need to incorporate flexible and intelligent control systems in order to harness clean energy from renewable DERs. They should also employ future network technologies for integration of DERs as smartgrid or Microgrid networks. The present 'fit-and-forget' strategy of DER deployment must be changed in active network management for accommodating a high degree of DG penetration. For actually implementing Microgrids and active distribution networks on a commercial basis, extensive research is needed, but not restricted to the following areas: (i) wide area active control, (ii) adaptive protection and control, (iii) network management devices, (iv) real-time network simulation, (v) advanced sensors and measurements, (vi) distributed pervasive communication, (vii) knowledge extraction by intelligent methods and (viii) novel design of transmission and distribution systems.

To the best of our knowledge, this book is the first of its kind to deal with various technical and economical aspects and issues of Microgrids and active distribution networks. Microgrids, as active low- and medium-voltage networks, can potentially provide a huge benefit to the main power utility by improving its energy efficiency, power quality and reliability to customers'

satisfaction. However, a large number of technical and regulatory issues need to be addressed carefully before their implementation. This requires considerable research and government intervention across the world.

This book deals with the basic concept, generation technologies, impacts, operation, control and management aspects, and economic viability and market participation issues of Microgrid and active distribution networks in a broad perspective.

Chapter 1 discusses the basic concepts of Microgrids and active distribution networks, their needs, technical advantages and challenges, socioeconomic impacts and several management and operational issues.

Chapter 2 discusses the basic principles of operation of several DER technologies normally used in Microgrid and active distribution networks.

Chapter 3 discusses the technical, economical and environmental impacts of Microgrid concepts. Microgrids have enormous impact on main grid operation and its customers. This chapter covers aspects of electricity/heat generation and utilisation, process optimisation, and electricity and gas market reforms to accommodate Microgrids for their potential environmental benefits. Major issues like market reforms, impacts on distribution system, emission reduction, communication infrastructure needs, ancillary services, protection co-ordination, etc., have also been discussed in detail.

Chapter 4 discusses the technical features of Microgrid and active distribution network management systems and their applicability in integrated operation of the Microgrid with the main power utility. It also details how and to what extent the operational needs may be taken care of by the Microgrid central controllers and microsource controllers.

Chapter 5 discusses in detail the protection systems in Microgrids, which have quite different protection requirements as compared to conventional distribution systems and stand-alone DER installations.

Chapter 6 discusses the development of power electronic interfaces for Microgrids, microsourced and their controllers. Functioning of power electronic interfaces for Microgrids and active distribution networks is directly related to the development of SCADA and communications infrastructure in the same area.

Chapter 7 discusses the SCADA and communications in Microgrid management.

Chapter 8 discusses power quality and reliability issues of Microgrid and active distribution networks.

Chapters 9 and 10 deal with the economical impacts and market participation of Microgrids, respectively.

Acknowledgements

We are thankful to the authorities of Brunel University, UK; The University of Manchester, UK; Jadavpur University, India, and University of Cape Town, South Africa, for providing necessary research infrastructures that were useful to write this book. We are thankful to Steven Mair and his editorial team of the IET Stevenage, UK, with special mention to Commissioning Editor Lisa Reading, and the production team of IET and Macmillan Publishing Solutions with special mentions to Joanna Hughes and Lavanya Somasundaravelu for the untiring efforts of their team to make this book as much typographically error free as possible. We thank Athenaeum Press Ltd for printing the book in time.

We are grateful to Professor FW Petersen, dean of Faculty of Engineering and the Built Environment, and Professor CT Gaunt and Professor BJ Downing, past and present heads, of the Electrical Engineering Department of the University of Cape Town, for their enthusiasm and continuous encouragement in the publication of the book.

We are thankful to the research fellows, namely AK Saha, MK Das, AK Basu, A Sinha and RN Lahiri, for enriching the appendices with some of their research outputs. We are also thankful to the authorities of their affiliations, namely CESC Ltd, MERI, CIEM and TCS Ltd, for encouraging the research fellows in their endeavours.

Last but not the least, we greatly acknowledge the support we received from our friends and family members.

Abbreviations

AC	alternating current
ACC	annual capacity charge
ADS	automated dispatch system
AGC	automatic generation control
AI	artificial intelligence
ATC	available transfer capability
ATS	automatic transfer switch
BBS	Bricks-Buses-Software
BCCHP	building combined cooling, heating and power
BCU	bay control unit
BMU	bay monitoring unit
BPU	bay protection unit
CAD	computer aided design
CAN	control area network
CB	circuit breaker
CBM	capacity benefit margin
CC	central controller
CCGT	combined cycle gas turbine
CCS	carbon capture and storage
CdTe	cadmium telluride
CERTS	Consortium for Reliability Technology Solutions
CHP	combined heat and power
CIGRE	International Council on Large Electric Systems
CIREN	International Conference and Exhibition on Electricity Distribution
CIS	copper indium diselenide
CMD	converter manufacturing data
CO	carbon monoxide
COP	coefficient of performance
CT	current transformer
DA	distribution automation
DBMS	database management system
DC	direct current
DCS	distributed control system
DER	distributed energy resource

DES	district energy systems
DFIG	doubly fed induction generator
DG	distributed generation
DGCG	distributed generation coordination group
DISCOs	distribution companies
DMS	distribution management systems
DNO	distribution network operator
DO	digital output
DOE	department of energy
DPG	Data Processing Gateway
DRAM	dynamic read write memory
DSM	demand side management
DTI	Department of Trade and Industry
DUoS	distribution use of system
DVR	dynamic voltage restorer
EPROM	erasable programmable read-only memory
EMI	electromagnetic interference
EMM	Energy Management Module
EMS	energy management systems
ESQCR	Electricity Safety, Quality and Continuity Regulations
FERC	Federal Energy Regulatory Commission
FLC	fuzzy logic controller
FPGA	field programmable gate array
GENCOs	generation companies
GHG	greenhouse gas
GOOSE	Generic Object-Oriented Substation Event
GSE	Generic Substation Event
GSSE	Generic Substation Status Event
GT	gas turbine
HHI	Herfindahl–Hirschman Index
HIT	heterojunction with intrinsic thin layer
HJ	heterojunction
HMI	human–machine interface
HVAC	heat ventilation air conditioning
IC	internal combustion
IEC	International Electrotechnical Committee
IED	intelligent electronic device
IGBT	insulated gate bipolar transistors
IMDS	Information Monitoring and Diagnostic System
I/O	input/output
IPM	integrated power modules
IPP	Independent Power Producer
ISO	independent system operator
IT	information technology
LAN	local area network

LMP	locational marginal price
LN	logical node
LOG	loss of grid
LP	linear programming
LV	low voltage
MC	microsource controller
MCFC	molten carbonate fuel cell
MCP	market clearing price
MMI	man-machine interface
MOV	metal oxide varistor
MPPT	maximum power point tracking
MT	microturbine
MTG	microturbine-generator
MV	medium voltage
NEC	National Electric Code
NEREC	National Education Research and Evaluation Center
NFFO	Non-Fossil Fuel Obligation
NLP	non-linear programming
OASIS	Open Access Same-Time Information System
Ogem	Office of Gas and Electricity Markets
OSI	Open System International
PAFC	phosphoric acid fuel cell
PC	personal computer
PCB	printed circuit board
PCC	point of common coupling
PCM	Protection Coordination Module
PCU	power-conditioning unit
PEBB	power electronic building blocks
PEI	power electronic interface
PEMFC	proton exchange membrane fuel cell
P-f	power-frequency
PI	proportional-integral
PID	proportional-integral-derivative
PLC	programmable logic controller
PMSG	permanent magnet synchronous generator
PSERC	Power System Engineering Research Center-Wisconsin
PQ	power quality
PT	potential transformer
PV	photovoltaic
PWM	pulse-width-modulated
PX	power exchange
RCC	remote control centre
RES	Renewable energy source
RIG	Remote Intelligent Gateway
RMS	root mean square

ROC	Renewable Obligation Certificate
RTP	real-time price
RTU	remote terminal unit
SC	scheduling coordinator
SCADA	supervisory control and data acquisition
SCR	silicon-controlled rectifier
SCU	station control unit
SFC	Sequential Function Charts
SG	synchronous generator
SLA	Service Level Agreement
SOFC	solid oxide fuel cell
SONET	synchronous optical networking
SSTS	static source transfer switch
STATCOM	static synchronous compensator
STC	Standard Test Conditions
SVC	static VAR Compensator
T&D	transmission and distribution
TC	Technical Committee
TCP/IP	Transmission Control Protocol/Internet Protocol
TCR	Thyristor controlled reactor
TES	thermal energy storage
THC	total hydrocarbons
TOU	time of use
TRANSCOs	transmission companies
TRM	transmission reliability margin
TSC	Thyristor switched capacitor
TSR	tip speed ratio
TTC	total transfer capability
TVSS	transient voltage surge suppressors
UCA	Utility Communications Architecture
UPS	uninterrupted power supply
VLSI	very large scale integration
VPN	virtual private network
VTB	virtual test bed
WDI	wet diluent injection
WECC	Western Electricity Coordinating Council
WECS	wind energy conversion systems
WisPERC	Wisconsin Power Electronics Research Center
WSCC	Western System Coordinating Council

Chapter 1

Distributed generation and Microgrid concept

1.1 Distributed generation

Around the world, conventional power system is facing the problems of gradual depletion of fossil fuel resources, poor energy efficiency and environmental pollution. These problems have led to a new trend of generating power locally at distribution voltage level by using non-conventional/renewable energy sources like natural gas, biogas, wind power, solar photovoltaic cells, fuel cells, combined heat and power (CHP) systems, microturbines, and Stirling engines and their integration into the utility distribution network. This type of power generation is termed as distributed generation (DG) and the energy sources are termed as distributed energy resources (DERs). The term 'Distributed Generation' has been devised to distinguish this concept of generation from centralised conventional generation. The distribution network becomes active with the integration of DG and hence is termed as active distribution network.

In late 1990s, the major issues related to DG were extensively investigated by the working groups of the International Council on Large Electric Systems (CIGRE) and the International Conference and Exhibition on Electricity Distribution (CIRED) in their review reports.

Several country-specific strict definitions are available for DG all over the world, depending upon plant rating, generation voltage level, etc. However, the impact of DG on the power system is normally the same irrespective of these different definitions. According to several research studies, some universally accepted common attributes of DG are as follows:

- (1) It is not centrally planned by the power utility, nor centrally dispatched.
- (2) It is normally smaller than 50 MW.
- (3) The power sources or distributed generators are usually connected to the distribution system, which are typically of voltages 230/415 V up to 145 kV.

This book mainly deals with the concept, technical features, operational and management issues, economic viability and market participation in deregulated environment of DG systems and the integration of DERs in the form of Microgrid and active distribution networks in a broad perspective.

1.2 Why integration of distributed generation?

In spite of several advantages provided by conventional power systems, the following technical, economic and environmental benefits have led to gradual development and integration of DG systems:

- (1) Due to rapid load growth, the need for augmentation of conventional generation brings about a continuous depletion of fossil fuel reserve. Therefore, most of the countries are looking for non-conventional/renewable energy resources as an alternative.
- (2) Reduction of environmental pollution and global warming acts as a key factor in preferring renewable resources over fossil fuels. As part of the Kyoto Protocol, the EU, the UK and many other countries are planning to cut down greenhouse gas (carbon and nitrogenous by-products) emissions in order to counter climate change and global warming. Therefore, they are working on new energy generation and utilisation policies to support proper utilisation of these energy sources. It is expected that exploitation of DERs would help to generate eco-friendly clean power with much lesser environmental impact.
- (3) DG provides better scope for setting up co-generation, trigeneration or CHP plants for utilising the waste heat for industrial/domestic/commercial applications. This increases the overall energy efficiency of the plant and also reduces thermal pollution of the environment.
- (4) Due to lower energy density and dependence on geographical conditions of a region, DERs are generally modular units of small capacity. These are geographically widespread and usually located close to loads. This is required for technical and economic viability of the plants. For example, CHP plants must be placed very close to their heat loads, as transporting waste heat over long distances is not economical. This makes it easier to find sites for them and helps to lower construction time and capital investment. Physical proximity of load and source also reduces the transmission and distribution (T&D) losses. Since power is generated at low voltage (LV), it is possible to connect a DER separately to the utility distribution network or they may be interconnected in the form of Microgrids. The Microgrid can again be connected to the utility as a separate semi-autonomous entity.
- (5) Stand-alone and grid-connected operations of DERs help in generation augmentation, thereby improving overall power quality and reliability. Moreover, a deregulated environment and open access to the distribution network also provide greater opportunities for DG integration. In some countries, the fuel diversity offered by DG is considered valuable, while in some developing countries, the shortage of power is so acute that any form of generation is encouraged to meet the load demand.

1.3 Active distribution network

Electricity networks are in the era of major transition from stable passive distribution networks with unidirectional electricity transportation to active distribution

networks with bidirectional electricity transportation. Distribution networks without any DG units are passive since the electrical power is supplied by the national grid system to the customers embedded in the distribution networks. It becomes active when DG units are added to the distribution system leading to bidirectional power flows in the networks. To effect this transition, developing countries should emphasise the development of sustainable electricity infrastructure while the developed countries should take up the technical and economic challenges for the transformation of distribution networks. The UK industry regulator, the Office of Gas and Electricity Markets (Ofgem), has named this challenge as ‘Rewiring Britain’. Active distribution networks need to incorporate flexible and intelligent control with distributed intelligent systems. In order to harness clean energy from renewable DERs, active distribution networks should also employ future network technologies leading to smartgrid or Microgrid networks.

Present ‘fit-and-forget’ strategy of DG employment needs to be changed in active network management. It should incorporate integration of DGs in distribution networks and demand side management. It has been demonstrated by the UK-based Centre for Distributed Generation and Sustainable Electrical Energy (www.sedg.ac.uk) that the application of active network management methods can greatly support more DG connections as compared to networks without active management.

Several Department of Trade and Industry (DTI) and Ofgem reports clearly indicate that intelligent active distribution networks have gained momentum. Several factors are in favour of the evolution of active distribution networks, e.g. (i) pressing customer expectations of high-quality reliable power distribution, (ii) increasing desire of policy makers for accommodation of renewable DERs with energy storage devices, (iii) carbon commitment in reducing emissions by 50% by 2050, (iv) motivating the distribution network operators (DNOs) towards better asset utilisation and management by deferral of replacement of age-old assets, etc.

In order to implement evolutionary active distribution networks for flexible and intelligent operation and control, extensive research is necessary. The focus of the research should be mainly in the following areas: (i) wide area active control, (ii) adaptive protection and control, (iii) network management devices, (iv) real-time network simulation, (v) advanced sensors and measurements, (vi) distributed pervasive communication, (vii) knowledge extraction by intelligent methods and (viii) novel design of transmission and distribution systems.

1.4 Concept of Microgrid

Microgrids are small-scale, LV CHP supply networks designed to supply electrical and heat loads for a small community, such as a housing estate or a suburban locality, or an academic or public community such as a university or school, a commercial area, an industrial site, a trading estate or a municipal region. Microgrid is essentially an active distribution network because it is the conglomerate of DG systems and different loads at distribution voltage level. The generators or microsources employed in a Microgrid are usually renewable/non-conventional

4 *Microgrids and active distribution networks*

DERs integrated together to generate power at distribution voltage. From operational point of view, the microsources must be equipped with power electronic interfaces (PEIs) and controls to provide the required flexibility to ensure operation as a single aggregated system and to maintain the specified power quality and energy output. This control flexibility would allow the Microgrid to present itself to the main utility power system as a single controlled unit that meets local energy needs for reliability and security.

The key differences between a Microgrid and a conventional power plant are as follows:

- (1) Microsources are of much smaller capacity with respect to the large generators in conventional power plants.
- (2) Power generated at distribution voltage can be directly fed to the utility distribution network.
- (3) Microsources are normally installed close to the customers' premises so that the electrical/heat loads can be efficiently supplied with satisfactory voltage and frequency profile and negligible line losses.

The technical features of a Microgrid make it suitable for supplying power to remote areas of a country where supply from the national grid system is either difficult to avail due to the topology or frequently disrupted due to severe climatic conditions or man-made disturbances.

From grid point of view, the main advantage of a Microgrid is that it is treated as a controlled entity within the power system. It can be operated as a single aggregated load. This ascertains its easy controllability and compliance with grid rules and regulations without hampering the reliability and security of the power utility. From customers' point of view, Microgrids are beneficial for locally meeting their electrical/heat requirements. They can supply uninterruptible power, improve local reliability, reduce feeder losses and provide local voltage support. From environmental point of view, Microgrids reduce environmental pollution and global warming through utilisation of low-carbon technology.

However, to achieve a stable and secure operation, a number of technical, regulatory and economic issues have to be resolved before Microgrids can become commonplace. Some problem areas that would require due attention are the intermittent and climate-dependent nature of generation of the DERs, low energy content of the fuels and lack of standards and regulations for operating the Microgrids in synchronism with the power utility. The study of such issues would require extensive real-time and off line research, which can be taken up by the leading engineering and research institutes across the globe.

1.5 A typical Microgrid configuration

A typical Microgrid configuration is shown in Figure 1.1. It consists of electrical/heat loads and microsources connected through an LV distribution network. The loads (especially the heat loads) and the sources are placed close together to

minimise heat loss during heat transmission. The microsources have plug-and-play features. They are provided with PEIs to implement the control, metering and protection functions during stand-alone and grid-connected modes of operation. These features also help seamless transition of Microgrid from one mode to another.

The Microgrid consists of three radial feeders (A, B and C) to supply the electrical and heat loads. It also has two CHP and two non-CHP microsources and storage devices. Microsources and storage devices are connected to feeders A and C through microsource controllers (MCs). Some loads on feeders A and C are assumed to be priority loads (i.e. requiring uninterrupted power supply), while others are non-priority loads. Feeder B, however, contains only non-priority electrical loads.

The Microgrid is coupled with the main medium voltage (MV) utility grid (denoted as ‘main grid’) through the PCC (point of common coupling) circuit breaker CB4 as per standard interface regulations. CB4 is operated to connect and disconnect the entire Microgrid from the main grid as per the selected mode of operation. Feeders A, B and C can however be connected and disconnected by operating breakers CB1, CB2 and CB3, respectively. The microsources on feeders A and C are placed quite apart from the Microgrid bus to ensure reduction in line losses, good voltage profile and optimal use of waste heat. Although the control of power flow and voltage profile along radial feeders is quite complicated when several microsources are connected to a common radial feeder and not to a common generator bus, this configuration is necessary to avail the plug-and-play feature of the microsources.

The Microgrid is operated in two modes: (1) grid-connected and (2) stand-alone. In grid-connected mode, the Microgrid remains connected to the main grid either totally or partially, and imports or exports power from or to the main grid. In case of any disturbance in the main grid, the Microgrid switches over to stand-alone mode while still feeding power to the priority loads. This can be achieved by either (i) disconnecting the entire Microgrid by opening CB4 or (ii) disconnecting feeders A and C by opening CB1 and CB3. For option (i), the Microgrid will operate as an autonomous system with all the microsources feeding all the loads in feeders A, B and C, whereas for option (ii), feeders A and C will supply only the priority loads while feeder B will be left to ride through the disturbance.

The operation and management of Microgrid in different modes is controlled and co-ordinated through local MCs and the central controller (CC) whose functions are enlisted as follows:

- (1) *Microsource controller* – The main function of MC is to independently control the power flow and load-end voltage profile of the microsource in response to any disturbance and load changes. Here ‘independently’ implies without any communications from the CC. MC also participates in economic generation scheduling, load tracking/management and demand side management by controlling the storage devices. It must also ensure that each microsource rapidly picks up its generation to supply its share of load in stand-alone mode and automatically comes back to the grid-connected mode with the help of CC. The most significant aspect of MC is its quickness in responding to the locally

monitored voltages and currents irrespective of the data from the neighbouring MCs. This control feature enables microsources to act as plug-and-play devices and facilitates the addition of new microsources at any point of Microgrid without affecting the control and protection of the existing units. Two other key features are that an MC will not interact independently with other MCs in the Microgrid and that it will override the CC directives that may seem dangerous for its microsource.

- (2) *Central controller* – The CC executes the overall control of Microgrid operation and protection through the MCs. Its objectives are (i) to maintain specified voltage and frequency at the load end through power-frequency (P-f) and voltage control and (ii) to ensure energy optimisation for the Microgrid. The CC also performs protection co-ordination and provides the power dispatch and voltage set points for all the MCs. CC is designed to operate in automatic mode with provision for manual intervention as and when necessary. Two main functional modules of CC are Energy Management Module (EMM) and Protection Co-ordination Module (PCM).
- (i) *Energy Management Module* – EMM provides the set points for active and reactive power output, voltage and frequency to each MC. This function is co-ordinated through state-of-the-art communication and artificial intelligence techniques. The values of the set points are decided according to the operational needs of the Microgrid. The EMM must see that
- (a) Microsources supply heat and electrical loads to customer satisfaction.
 - (b) Microgrids operate satisfactorily as per the operational a priori contracts with main grid.
 - (c) Microgrids satisfy its obligatory bindings in minimising system losses and emissions of greenhouse gases and particulates.
 - (d) Microsources operate at their highest possible efficiencies.
- (ii) *Protection Co-ordination Module* – PCM responds to Microgrid and main grid faults and loss of grid (LOG) scenarios in a way so as to ensure correct protection co-ordination of the Microgrid. It also adapts to the change in fault current levels during changeover from grid-connected to stand-alone mode. For achieving this, there is proper communication between the PCM and the MCs and upstream main grid controllers. For main grid fault, PCM immediately switches over the Microgrid to stand-alone mode for supplying power to the priority loads at a significantly lower incremental cost. However, for some minor faults, the PCM allows the Microgrid to ride through in the grid-connected mode for some time and it continues if any temporary fault is removed. Besides, if the grid fault endangers the stability of the Microgrid, then PCM may disconnect the Microgrid fully from all main grid loads (e.g. feeder B), although in that case, effective utilisation of the Microgrid would be lost in exporting power. If a fault occurs within a portion of the Microgrid feeder (e.g. feeder A or C), the smallest possible feeder zone is eliminated to maintain supply to the healthy parts of the feeder. Under-frequency and under-voltage protection schemes with bus voltage support are normally used for

protecting the sensitive loads. PCM also helps to re-synchronise the Microgrid to the main grid after the initiation of switchover to the grid-connected mode of operation through suitable reclosing schemes.

The functions of the CC in the grid-connected mode are as follows:

- (1) Monitoring system diagnostics by collecting information from the microsources and loads.
- (2) Performing state estimation and security assessment evaluation, economic generation scheduling and active and reactive power control of the microsources and demand side management functions by using collected information.
- (3) Ensuring synchronised operation with the main grid maintaining the power exchange at priori contract points.

The functions of the CC in the stand-alone mode are as follows:

- (1) Performing active and reactive power control of the microsources in order to maintain stable voltage and frequency at load ends.
- (2) Adopting load interruption/load shedding strategies using demand side management with storage device support for maintaining power balance and bus voltage.
- (3) Initiating a local black start to ensure improved reliability and continuity of service.
- (4) Switching over the Microgrid to grid-connected mode after main grid supply is restored without hampering the stability of either grid.

1.6 Interconnection of Microgrids

Since Microgrids are designed to generate power at distribution voltage level along with utilisation of waste heat, they have restricted energy handling capability. Therefore, their maximum capacity is normally restricted to approximately 10 MVA as per IEEE recommendations. Hence, it is possible to supply a large load pocket from several Microgrids through a common distribution network, by splitting the load pocket into several controllable load units, with each unit being supplied by one Microgrid. In this way, Microgrids can be interconnected to form much larger power pools for meeting bulk power demands. For interconnected Microgrids, each CC must execute its control in close co-ordination with the neighbouring CCs. Thus, an interconnected Microgrid would achieve greater stability and controllability with a distributed control structure. It would also have more redundancy to ensure better supply reliability.

1.7 Technical and economical advantages of Microgrid

The development of Microgrid is very promising for the electric energy industry because of the following advantages:

- (1) *Environmental issues* – It is needless to say that Microgrids would have much lesser environmental impact than the large conventional thermal power stations. However, it must be mentioned that the successful implementation of carbon capture and storage (CCS) schemes for thermal power plants will drastically reduce the environmental impacts. Nevertheless, some of the benefits of Microgrid in this regard are as follows:
 - (i) Reduction in gaseous and particulate emissions due to close control of the combustion process may ultimately help combat global warming.
 - (ii) Physical proximity of customers with microsources may help to increase the awareness of customers towards judicious energy usage.
- (2) *Operation and investment issues* – Reduction of physical and electrical distance between microsource and loads can contribute to:
 - (i) Improvement of reactive support of the whole system, thus enhancing the voltage profile.
 - (ii) Reduction of T&D feeder congestion.
 - (iii) Reduction of T&D losses to about 3%.
 - (iv) Reduction/postponement of investments in the expansion of transmission and generation systems by proper asset management.
- (3) *Power quality* – Improvement in power quality and reliability is achieved due to:
 - (i) Decentralisation of supply.
 - (ii) Better match of supply and demand.
 - (iii) Reduction of the impact of large-scale transmission and generation outages.
 - (iv) Minimisation of downtimes and enhancement of the restoration process through black start operations of microsources.
- (4) *Cost saving* – The following cost savings are achieved in Microgrid:
 - (i) A significant saving comes from utilisation of waste heat in CHP mode of operation. Moreover, as the CHP sources are located close to the customer loads, no substantial infrastructure is required for heat transmission. This gives a total energy efficiency of more than 80% as compared to a maximum of 40% for a conventional power system.
 - (ii) Cost saving is also effected through integration of several microsources. As they are locally placed in plug-and-play mode, the T&D costs are drastically reduced or eliminated. When combined into a Microgrid, the generated electricity can be shared locally among the customers, which again reduces the need to import/export power to/from the main grid over longer feeders.
- (5) *Market issues* – The following advantages are attained in case of market participation:
 - (i) The development of market-driven operation procedures of the Microgrids will lead to a significant reduction of market power exerted by the established generation companies.
 - (ii) The Microgrids may be used to provide ancillary services.

- (iii) Widespread application of modular plug-and-play microsources may contribute to a reduction in energy price in the power market.
- (iv) The appropriate economic balance between network investment and DG utilisation is likely to reduce the long-term electricity customer prices by about 10%.

1.8 Challenges and disadvantages of Microgrid development

In spite of potential benefits, development of Microgrids suffers from several challenges and potential drawbacks as explained.

- (1) *High costs of distributed energy resources* – The high installation cost for Microgrids is a great disadvantage. This can be reduced by arranging some form of subsidies from government bodies to encourage investments. This should be done at least for a transitory period for meeting up environmental and carbon capture goals. There is a global target set to enhance renewable green power generation to 20% by 2020 and to reduce carbon emission by 50% by 2050.
- (2) *Technical difficulties* – These are related to the lack of technical experience in controlling a large number of plug-and-play microsources. This aspect requires extensive real-time and off line research on management, protection and control aspects of Microgrids and also on the choice, sizing and placement of microsources. Specific telecommunication infrastructures and communication protocols must be developed in this area. Research is going on for the implementation and roll-out of IEC 61850 in communication for Microgrid and active distribution networks. However, lack of proper communication infrastructure in rural areas is a potential drawback in the implementation of rural Microgrids. Besides, economic implementation of seamless switching between operating modes is still a major challenge since the available solutions for reclosing adaptive protection with synchronism check are quite expensive.
- (3) *Absence of standards* – Since Microgrid is a comparatively new area, standards are not yet available for addressing operation and protection issues. Power quality data for different types of sources, standards and protocols for integration of microsources and their participation in conventional and deregulated power markets, safety and protection guidelines, etc., should be laid down. Standards like G59/1 and IEEE 1547 should be reassessed and restructured for the successful implementation of Microgrid and active distribution networks.
- (4) *Administrative and legal barriers* – In most countries, no standard legislation and regulations are available to regulate the operation of Microgrids. Governments of some countries are encouraging the establishment of green power Microgrids, but standard regulations are yet to be framed for implementation in future.
- (5) *Market monopoly* – If the Microgrids are allowed to supply energy autonomously to priority loads during any main grid contingency, the main question that arises is who will then control energy supply prices during the period over

which main grid is not available. Since the main grid will be disconnected and the current electricity market will lose its control on the energy price, Microgrids might retail energy at a very high price exploiting market monopoly. Thus, suitable market infrastructure needs to be designed and implemented for sustaining development of Microgrids.

1.9 Management and operational issues of a Microgrid

Major management and operational issues related to a Microgrid are as follows:

- (1) For maintaining power quality, active and reactive power balance must be maintained within the Microgrid on a short-term basis.
- (2) A Microgrid should operate stand-alone in regions where utility supply is not available or in grid-connected mode within a larger utility distribution network. Microgrid operator should be able to choose the mode of operation within proper regulatory framework.
- (3) Generation, supply and storage of energy must be suitably planned with respect to load demand on the Microgrid and long-term energy balance.
- (4) Supervisory control and data acquisition (SCADA) based metering, control and protection functions should be incorporated in the Microgrid CCs and MCs. Provisions must be made for system diagnostics through state estimation functions.
- (5) Economic operation should be ensured through generation scheduling, economic load dispatch and optimal power flow operations.
- (6) System security must be maintained through contingency analysis and emergency operations (like demand side management, load shedding, islanding or shutdown of any unit). Under contingency conditions, economic rescheduling of generation should be done to take care of system loading and load-end voltage/frequency.
- (7) Temporary mismatch between generation and load should be alleviated through proper load forecasting and demand side management. The shifting of loads might help to flatten the demand curve and hence to reduce storage capacity.
- (8) Suitable telecommunication infrastructures and communication protocols must be employed for overall energy management, protection and control. Carrier communication and IEC 61850 communication infrastructures are most likely to be employed.

1.10 Dynamic interactions of Microgrid with main grid

The capacity of Microgrid being sufficiently small, the stability of main grid is not affected when it is connected to the main grid. However, in future, when Microgrids will become more commonplace with higher penetration of DERs, the stability and security of the main grid will be influenced significantly. In such case,

the dynamic interactions between Microgrid and the main grid will be a key issue in the operation and management of both the grids. However, as of now, since the DERs in Microgrids are mainly meant to ensure only local energy balance within a small load pocket, the effects of DER penetration are likely to have a low impact on the main grid. Nevertheless, Microgrids need to be designed properly to take care of their dynamic impacts on main grid such that overall stability and reliability of the whole system is significantly improved.

1.11 Conclusion

The Microgrid is an alternative approach of distribution level energy supply by integrating small-scale DERs into LV as well as MV distribution networks. This facilitates simultaneous generation of electricity and heat to locally supply the electrical and heat loads of the customers. Traditional connection of separate stand-alone DER units to the existing distribution network in fit-and-forget strategy has considerable dynamic impacts on main utility grid behaviour. On the other hand, integrating them as Microgrids (with intelligent controllers) is more likely to enhance overall distribution system stability and safety. Microgrids can operate independently as autonomous islands in synchronism with the main grid. They are normally connected to main utility grid but are capable of isolating themselves from the latter in case of any disturbance in the main grid. This ensures economic and stable performance to customer satisfaction.

Technically, a Microgrid is an autonomous group of controllable plug-and-play microsources and energy storage devices that are optimally placed and operated for the benefit of the customers. The microsources are basically renewable/non-conventional DERs driven by a diverse set of controllable prime movers. Storage devices are incorporated through demand side management to enable flexible operation of the microsources using their own MCs. Power electronic-based MC controllers are helpful to maintain energy balance and power quality in the system by executing necessary local controls of the microsources and energy storage devices. They are also capable of working both with and without the intervention of the CC. They facilitate seamless connection, disconnection and reconnection of devices without the necessity of reconfiguring existing or new equipments.

A significant feature of the Microgrid is its presentation to the main utility grid as a single controlled unit of electric and heat loads with local generation. Advanced PEI provides the necessary flexibility, security and reliability of operation between microsources and the surrounding AC distribution system to customer satisfaction. The Microgrid structure ensures minimum dynamic impacts on the main utility. A Microgrid also benefits the main grid by decreasing congestion, alleviating the immediate needs for generation augmentation, increasing system stability, responding to rapid changes in loads and maintaining quality of supply to customer satisfaction.

Microgrids, as active LV and MV networks, can potentially provide a large number of benefits to the main power utility by increasing its efficiency of

operation and improving reliability and quality of service to the customer satisfaction. However, a large number of technical and regulatory issues need to be addressed carefully, requiring a considerable amount of research and government intervention across the world.

Chapter 2 briefly discusses the basic principles of operation of several DER technologies normally used in Microgrid and active distribution networks. Detailed discussions about them are available in the bibliography.

Chapter 2

Distributed energy resources

2.1 Introduction

Renewable or non-conventional electricity generators employed in DG systems or Microgrids are known as distributed energy resources (DERs) or microsources. One major aim of Microgrids is to combine all benefits of non-conventional/renewable low-carbon generation technologies and high-efficiency combined heat and power (CHP) systems. In this regard, the CHP-based DERs facilitate energy-efficient power generation by capturing waste heat while low-carbon DERs help to reduce environmental pollution by generating clean power. Prospective DERs range from micro-CHP systems based on Stirling engines, fuel cells and micro-turbines to renewables like solar photovoltaic (PV) systems, wind energy conversion systems (WECS) and small-scale hydroelectric generation. Choice of a DER very much depends on the climate and topology of the region and fuel availability. Possibilities of using biofuels and application of various storage technologies like flywheel batteries and ultracapacitors are also being investigated across the globe in the field of Microgrid research. Most of the countries are coming up with schemes to support the exploitation of the renewable/non-conventional energy resources for meeting up global carbon commitment.

This chapter briefly describes the following DER technologies:

- Combined heat and power (CHP) systems
- Wind energy conversion systems (WECS)
- Solar photovoltaic (PV) systems
- Small-scale hydroelectric generation
- Other renewable energy sources
- Storage devices.

2.2 Combined heat and power (CHP) systems

CHP or cogeneration systems are most promising as DERs for Microgrid applications. Their main advantage is energy-efficient power generation by judicious utilisation of waste heat. Unlike fossil-fuelled power plants, CHP systems capture and use the by-product heat locally for domestic and industrial/process heating

purposes. Heat produced at moderate temperatures (100–180 °C) can also be used in absorption chillers for cooling. Simultaneous production of electricity, heat and cooling is known as trigeneration or polygeneration.

By capturing the excess heat, CHP system allows better usage of energy than conventional generation, potentially reaching an efficiency of more than 80%, compared with that of about 35% for conventional power plants. It is most efficient when the heat is utilised locally. Overall efficiency is reduced if heat is to be transported over long distances using heavily insulated pipes, which are both expensive and inefficient. On the other hand, electricity can be transmitted over much longer distances for lesser energy loss. Thus, CHP plants can be located somewhat remotely from their electrical loads, but they must always be located close to the heat loads for better performance. CHP plants are commonly employed in district heating systems of big towns, hospitals, prisons, oil refineries, paper mills and industrial plants with large heat loads.

Use of CHP plants has been found to lead to 35% reduction in primary energy use as compared to conventional power generation and heat-only boilers, 30% reduction in emission with respect to coal-fired power plants and 10% reduction in emission with respect to combined cycle gas-turbine plants.

2.2.1 Micro-CHP systems

Micro-CHP systems are usually installed in smaller premises like homes or small commercial buildings. They differ from larger CHP units not only in terms of their energy-producing capacities but also in matters of parameter-driven operation. Most large industrial CHP units generate electricity as the primary product with heat as secondary while micro-CHP systems generate heat as the primary commodity with electricity as a by-product. Thus, energy generation of micro-CHP systems is mainly dictated by the heat demand of the end-users. Because of this operating model and the fluctuating electrical demand of the structures they operate in (like homes and small commercial buildings), micro-CHP systems often generate more electricity than is demanded.

Micro-CHP sets are basically microturbines coupled to single-shaft, high-speed (50,000–100,000 rpm) permanent magnet synchronous machines with airfoil or magnetic bearings. They are provided with power electronic interfaces for connection to the electrical loads. They also have their own heat recovery systems for low and medium temperature heat extraction. Micro-CHP sets are reliable, robust and cheap. They are available in the range of 10–100 kW capacity. The primary fuel is natural gas, propane or liquid fuel, which permits clean combustion with low particulates. Biofuelled microturbines are also being considered as a possibility.

During operation of a CHP set, the pressure of incoming air is raised after passing through the centrifugal compressor. Temperature of the compressed air is increased on passing through the heat exchanger. When the hot compressed air enters the combustion chamber, it is mixed with fuel and burnt. The high-temperature combustion gases are expanded in the turbine to produce mechanical power, which in turn drives the permanent magnet synchronous machine to produce electrical power at high frequency. High-frequency output voltage is converted into

DC using a rectifier and the DC voltage is re-converted into AC of 50/60 Hz of frequency as per necessity using an inverter interface.

Microgrids can secure the following major advantages by using micro-CHP plants:

- (1) Since transportation of electricity is far easier and more cost-effective than that of heat, it is much more suitable to place micro-CHP plants near heat loads than electrical loads. Microgrid permits this energy optimal placement of CHP plants to achieve full utilisation of heat. In case of necessity, fuel cells can also be used in the CHP plants for better utilisation of the generated heat.
- (2) The scale of heat generation for individual units is small. Therefore, micro-CHP plants have greater flexibility in matching several small heat loads. Technically, a Microgrid can be designed with a judicious mix of waste and non-waste heat-producing generators so as to optimise the combined generation of heat and electricity. In spite of the aforesaid flexibility, chances are still there of having mismatch in generating a proper mix of heat and electricity. Hence, attention must be paid to enhance this flexibility.

Micro-CHP systems are primarily based on the following technologies:

- (1) Internal combustion (IC) engines
- (2) Stirling engines
- (3) Microturbines
- (4) Fuel cells.

2.2.1.1 Internal combustion (IC) engines

In IC engines, fuel is burnt in air in a combustion chamber with or without oxidisers. Combustion creates high-temperature and high-pressure gases that are allowed to expand and act on movable bodies like pistons or rotors. IC engines are different from external combustion engines like steam engines and Stirling engines. The external combustion engines use the combustion process to heat a separate working fluid which then works by acting on the movable parts. IC engines include intermittent combustion engines (e.g. reciprocating engine, Wankel engine and Bourke's engine) and the continuous combustion engines (e.g. Jet engines, rockets and gas turbines).

The commonly used fuels are diesel, gasoline and petroleum gas. Propane gas is also sometimes used as fuel. With some modifications to the fuel delivery components, most IC engines designed for gasoline can run on natural gas or liquefied petroleum gases. Liquid and gaseous biofuels, like ethanol and biodiesel, may also be used. Depending on the type of fuel, the IC engines are provided with spark ignition or compression ignition systems in their cylinders to initiate the fuel combustion process.

2.2.1.2 Stirling engines

Stirling engine is a closed-cycle piston heat engine where the working gas is permanently contained within the cylinder. It is traditionally classified as an external combustion engine, though heat can also be supplied by non-combustible

sources like solar, geothermal, chemical and nuclear energy. Stirling engine uses an external heat source and an external heat sink. Each is maintained within a limited temperature range and has a sufficiently large temperature difference between them.

Stirling engine contains a fixed quantity of air, hydrogen or helium gas as the working fluid. Under normal operation, the engine is completely sealed and no gas can enter or leave the engine. Thus, no valves are required to control the intake and exhaust of gases unlike other piston engines. A Stirling engine cycles through four main processes, viz. (i) cooling, (ii) compression, (iii) heating and (iv) expansion, accomplished by the movement of the working gas back and forth between hot and cold heat exchangers. The ‘hot’ heat exchanger is kept in thermal contact with an external (primary) heat source like a fuel burner while the ‘cold’ heat exchanger is kept in thermal contact with an external heat sink like radiators. A change in gas temperature causes a corresponding change in its pressure, and the motion of the piston causes the gas to be alternately expanded and compressed. When the gas is heated, it expands in the sealed chamber and acts on the power piston to produce a power stroke. When the gas is cooled its pressure drops and then less work has to be done by the piston to compress the gas on the return stroke. This work difference yields the net power output. Stirling engines are basically of three categories: (i) Alpha Stirling, (ii) Beta Stirling and (iii) Gamma Stirling.

Stirling engines can be economically used as energy producers for CHP applications that utilise a heat source in conjunction with a secondary heating application, such as an industrial process. For such operations, the Stirling engines take the advantage of the temperature differential between the primary heat source and the heating application. The primary heat source enters the Stirling engine heater and produces mechanical power, and the waste heat from the engine’s heater is used to supply the secondary heating applications. The mechanical power produced by the engine is used to generate electricity as a secondary product. The overall process is very efficient and cost-effective.

Stirling engines have several advantages over reciprocating engines. They can achieve a high energy conversion efficiency of 80%, though this is limited by non-ideal properties of the working gas and engine materials (such as friction, thermal conductivity, tensile strength, creep and melting point). In contrast to IC engines, they are usually more energy efficient, quieter and more reliable with lower maintenance requirements. But for the same power rating, a Stirling engine has larger size and higher capital cost than an IC engine. Hence, Stirling engines are being used only for those applications where the primary objective is to minimise the capital cost per kilowatt-hour but not per kilowatt. The wider application of Stirling engine entirely depends on appropriate cost–benefit analysis. However, with the growing concerns about rising energy costs, energy shortages and environmental pollution caused by combustible fuels, the advantages of Stirling engines have become increasingly significant. They are being employed in various applications like water pumping and electrical generation from plentiful energy sources that are incompatible with the IC engine, such as solar energy, agricultural waste and domestic refuse, as well as in CHP systems.

2.2.1.3 Microturbines

Microturbines are widely popular as generating units in DG systems and as energy producers in CHP systems. At present they hold maximum prospect to be used as microsources for Microgrids. Microturbines are small and simple-cycle gas turbines. The outputs of the microturbines range typically from around 25 to 300 kW. Performance improvement techniques used in microturbines include recuperation, low NO_x emission technologies and the use of advanced materials such as ceramic for the hot section parts. Microturbines are available as single-shaft or split-shaft units. Single-shaft unit is a high-speed synchronous machine with the compressor and turbine mounted on the same shaft. For these machines, the turbine speed ranges from 50,000 to 120,000 rpm. On the contrary, the split-shaft design uses a power turbine rotating at 3,000 rpm and a conventional generator connected via a gearbox for speed multiplication. Figure 2.1 shows a single-shaft microturbine system and Figure 2.2 shows a split-shaft one. Unlike traditional backup generators, microturbines are designed to operate for extended periods of time and require little maintenance. They can supply a customer's base-load requirements or can be used for standby, peak shaving and cogeneration applications. They can run on most commercially available fuels, such as natural gas, propane, diesel and kerosene, as well as on biofuels.

Microturbines have the following features:

- (1) *Size* – They are relatively smaller in size as compared to other DERs.
- (2) *Fuel-to-electricity conversion* – They can reach the range of 25–30%. However, if the waste heat recovery is used for CHP applications, energy efficiency levels are greater than 80%.
- (3) *NO_x emissions* – These are lower than 7 ppm for natural gas machines.
- (4) *Operational life* – They are designed for 11,000 hours of operation between major overhauls with a service life of at least 45,000 hours.

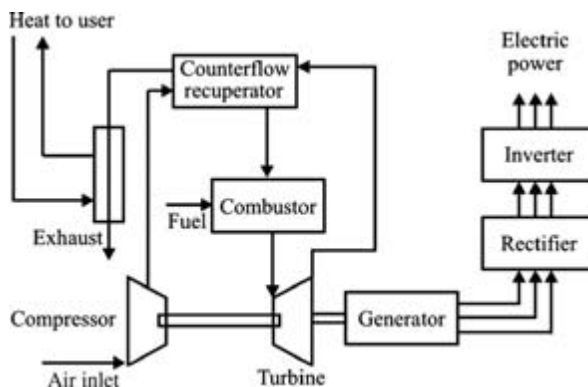


Figure 2.1 Single-shaft microturbine

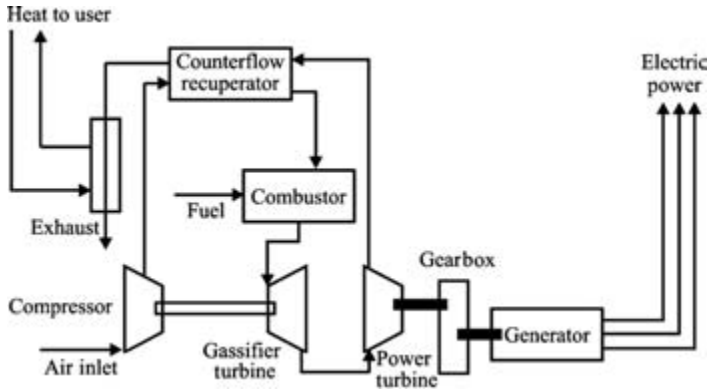


Figure 2.2 *Split-shaft microturbine*

- (5) *Economy of operation* – System costs are lower than \$500 per kW. Cost of electricity is competitive with alternatives including grid power for market applications.
- (6) *Fuel flexibility* – It is capable of using alternative fuels, like natural gas, diesel, ethanol and landfill gas, and other biomass-derived liquids and gases.
- (7) *Noise level* – It has reduced level of noise and vibrations.
- (8) *Installation* – It has simpler installation procedure.

A survey of research literature shows that there is an extensive thrust on the application of microturbine as DG systems. Research areas include simulation, offline/real-time studies and development of inverter interfaces for microturbine applications. Several research papers are available on the development of a single-stage axial flow microturbine for power generation, on the study of the facilities of the technology through relevant test results, on the development of active filters and adaptive control mechanisms for microturbines in hybrid power systems, etc. Studies also include development of dynamic models for microturbines to analyse their performance in islanded and grid-connected modes of operation and for cogeneration applications.

Most microturbines use permanent magnet synchronous generator (PMSG) or asynchronous generator for power generation. Ample research has been conducted on PMSG-coupled microturbines. However, very little has been reported on development and load-following performance analysis of microturbine models with synchronous generator (SG) in islanded and grid-connected modes. This area needs to be extensively investigated to resolve the technical issues for integrated operation of a microturbine with the main utility grid.

The main advantage of coupling an SG with a split-shaft microturbine is that it eliminates the use of the power converter. In this case, the generator is connected to the turbine via a gearbox to generate conventional 50/60 Hz power. Thus, the need

for rectifiers and power converter units is completely eliminated. Moreover, the use of high-speed PMSG has disadvantages – such as thermal stress, demagnetisation phenomena, centrifugal forces, rotor losses – because of fringing effects and high cost. The disadvantage of coupling induction (asynchronous) generators is that though they are cheaper and robust, their speed is load dependent and they cannot be connected to the grid without the use of expensive power converter systems. The use of power electronic interfaces for power conversion introduces harmonics in the system to reduce the output power quality. These harmonics are eliminated if an SG is used with a gearbox. Also, there are less chances of failure as the gearbox is a much simpler mechanical equipment as compared to complex power electronic devices. However, the main drawback of using a gearbox is that it consumes a fraction of generated power, thus reducing the efficiency of the system. Some manufacturing companies like Ingersoll-Rand Energy Systems, Ballard, Bowman and Elliott are using synchronous machines with their microturbines for both stand-alone and grid-connected operations. Major parts of a microturbine and their functions are as follows:

- (1) *Turbine* – High-speed single-shaft or split-shaft gas turbines.
- (2) *Alternator* – In single-shaft units, the alternator is directly coupled to the turbine. The rotor is either two-pole or four-pole permanent design and the stator is of conventional copper wound design. In split-shaft units, a conventional induction machine or synchronous machine is mounted on the turbine through the gearbox.
- (3) *Power electronics* – In single-shaft machines, the high-frequency (1,500–4,000 Hz) AC voltage generated by the alternator is converted into standard power frequency voltage through the power electronic interfaces. However, in the split-shaft design, these are not required due to the presence of the gearbox.
- (4) *Recuperator* – The recuperator recovers the waste heat to improve the energy efficiency of the microturbine. It transfers heat from the exhaust gas to the discharge air before the discharge air enters the combustor. This reduces the amount of fuel needed to raise the discharge air temperature to the required value. The process of designing and manufacturing recuperators is quite complicated as they operate under high pressure and temperature differentials. Exhaust heat can be used for water heating, drying processes or absorption chillers for air conditioning from heat energy instead of electric energy.
- (5) *Control and communication* – Control and communication systems include the entire turbine control mechanism, inverter interface, start-up electronics, instrumentation and signal conditioning, data logging, diagnostics and user control communications.

2.2.1.4 Fuel cells

A fuel cell converts chemical energy of a fuel directly into electrical energy. It consists of two electrodes (an anode and a cathode) and an electrolyte, retained in a matrix. The operation is similar to that of a storage battery except that the reactants and products are not stored, but are continuously fed to the cell. During operation, the hydrogen-rich fuel and oxidant (usually air) are separately supplied to the

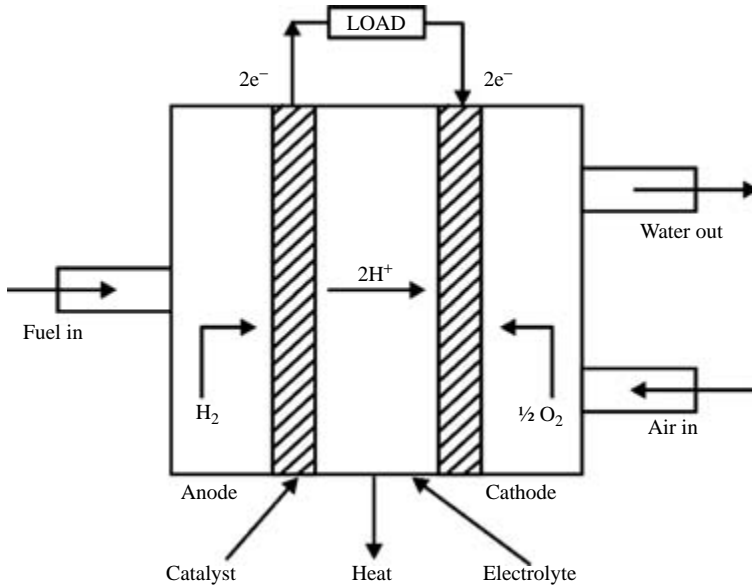


Figure 2.3 Basic construction of a fuel cell

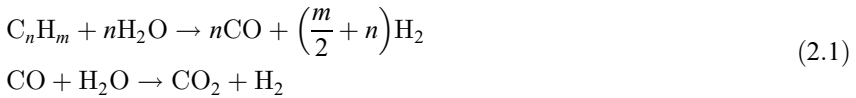
electrodes. Fuel is fed to the anode and oxidant to the cathode, and the two streams are separated by an electrode–electrolyte system. Electrochemical oxidation and reduction take place at the electrodes to produce electricity. Heat and water are produced as by-products. Figure 2.3 shows the basic construction of a fuel cell.

Fuel cells have several advantages over conventional generators. Due to higher efficiency and lower fuel oxidation temperature, fuel cells emit less CO₂ and NO_x per kilowatt of power generated. Thus, they provide an eco-friendly energy source. As there are no moving parts, they are almost free from noise and vibration, robust and low maintenance. This makes them suitable for urban or suburban locations. Unlike gas and steam turbines, fuel cell efficiency increases at part-load conditions. Moreover, they can use a variety of fuels like natural gas, propane, landfill gas, anaerobic digester gas, diesel, naphtha, methanol and hydrogen. This versatility ensures that this technology will not become obsolete due to the unavailability of fuels.

A single fuel cell produces output voltage less than 1 V. Therefore, to produce higher voltages, fuel cells are stacked on top of each other and are series connected forming a fuel cell system. Electrical efficiencies of fuel cells lie between 36% and 60%, depending on the type and system configuration. By using conventional heat recovery equipment, overall efficiency can be enhanced to about 85%.

Steam reforming of liquid hydrocarbons (C_nH_m) is a potential way of providing hydrogen-rich fuel for fuel cells. This is preferred because storage of hydrogen is quite hazardous and expensive. Reformers provide a running stream of hydrogen without having to use bulky pressurised hydrogen tanks or hydrogen vehicles for

distribution. The endothermic reaction that occurs in the reforming process in the presence of a catalyst is



Carbon monoxide combines with steam to produce more hydrogen through the water gas shift reaction. Figure 2.4 shows the flows and reactions in a fuel cell.

Extensive research is going on to design reformer–fuel cell system in spite of the following challenges:

- (1) Steam reforming can utilise liquid hydrocarbon fuels like ethanol and biodiesel, but these fuels may not be available in sufficiently large quantities to provide a continuous stream of hydrogen.
- (2) As the reforming reaction takes place at high temperatures, fuel cells have high start-up time and require costly temperature-resistant materials.
- (3) The catalyst is very expensive and the sulphur compounds present in the fuel may poison certain catalysts, making it difficult to run this type of system on ordinary gasoline.
- (4) Carbon monoxide produced in the reaction may poison the fuel cell membrane and may degrade its performance. In that case, complicated CO-removal systems must be incorporated into the system.
- (5) Thermodynamic efficiency of the process depends on the purity of the hydrogen product. Normally thermodynamic efficiency lies between 70% and 85%.

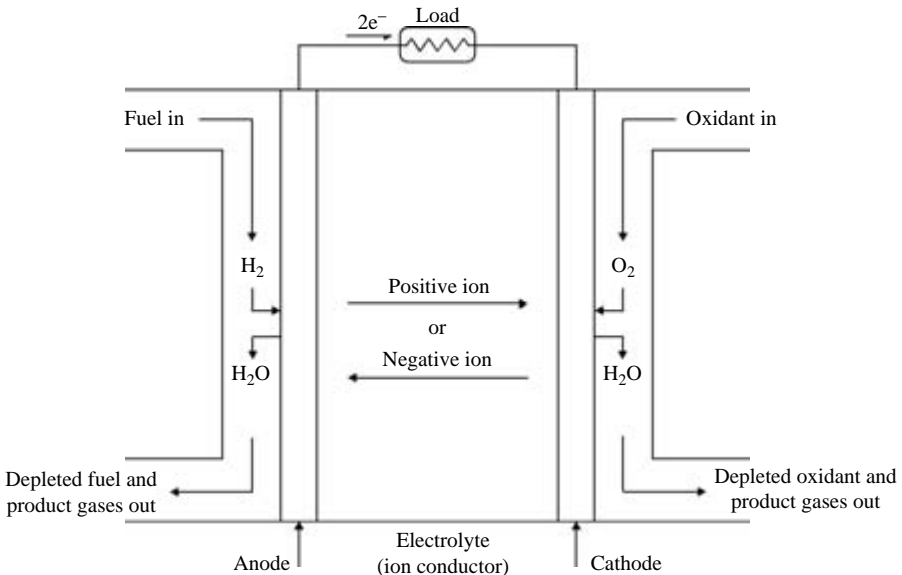


Figure 2.4 Flows and reactions in fuel cell

Types of fuel cells

There are mainly four types of fuel cells with different electrolytes and operating temperatures, which are as follows:

- (1) Proton exchange membrane fuel cell (PEMFC) operating at 80 °C
- (2) Phosphoric acid fuel cell (PAFC) operating at 200 °C
- (3) Molten carbonate fuel cell (MCFC) operating at 650 °C
- (4) Solid oxide fuel cell (SOFC) operating at 1,000 °C

(1) Proton exchange membrane fuel cell (PEMFC)

The electrolyte in a PEMFC is a solid polymeric membrane fitted between two platinum-catalysed porous electrodes. The operating temperature is determined by the thermal stability and the ionic conductivity characteristics of the polymeric membrane. To get sufficient ionic conductivity, the proton-conducting polymer electrolyte requires liquid water. For this reason, the operating temperature is maintained below 100 °C (i.e. the boiling point of water). This allows the PEMFC to reach a steady-state operating condition very fast. The PEMFC can operate at elevated air pressure (up to 8 atm), which helps it to achieve higher power densities from the cell stack. The solid polymer membrane can also support substantial differential reactant pressures, which provides some flexibility in the system design.

PEMFC operates on a pure hydrogen source obtained by reforming a hydrocarbon fuel. If the carbon monoxide content in the reformed fuel exceeds 50 ppm, it may poison the catalyst, causing severe degradation in cell performance. Thus for all carbon-containing fuels, carbon monoxide must be removed by installing additional fuel processing systems.

PEMFC has an electrical efficiency of about 50%. But, as the temperature of the produced waste heat is too low to be used in the fuel reforming process, overall system efficiency is limited to 42%. Depending on the type of reforming process, PEMFC may have the lowest electrical efficiency amongst all fuel cells.

PEMFCs are currently being developed for capacities below 500 kW. They are being applied for light duty (50–100 kW) and medium duty (200 kW) vehicles, power generation for residential premises (2–10 kW) and commercial premises (250–500 kW) and small or portable generators and battery replacements.

(2) Phosphoric acid fuel cell (PAFC)

The electrolyte for PAFC is 100% phosphoric acid. It acts as a transport fluid for the migration of dissolved hydrogen ions from the anode to the cathode and conducts the ionic charge between the two electrodes, thus completing the electric circuit. As the electrolyte is a liquid, evaporation and migration have to be carefully monitored and controlled. PAFC uses platinum electrocatalysts in the cell electrodes. This limits the amount of carbon monoxide to 2% by volume. Other factors that degrade cell performance and life expectancy are (i) corrosion of the carbon support for the catalyst layer and the separator/bipolar plate by phosphoric acid and (ii) sintering of platinum particles and electrolyte flooding due to changes in material properties at elevated temperatures. Cooling of the stack is done with pressurised boiling water.

PAFC typically operates at about 200 °C and at elevated pressure up to 8 atm or less. Electrical efficiency ranges from 37% to 42%. The near 200 °C operating temperature enables PAFC to provide low-grade thermal output in the form of hot water (at 60–120 °C) or low-pressure steam (at \approx 1 atm). This makes it preferable in CHP units. Compared to other fuel cells, the electrical efficiency of PAFCs is low, but they are highly tolerant to fuel contaminants. They also have tremendous cogeneration potential. PAFCs can be used for onsite power generation in hospitals, hotels, schools and commercial buildings requiring heat, high power quality or premium power services. They are the only fuel cells that have consistently achieved lifetimes of 40,000 hours or better under production conditions as well as have the ability to operate within an ambient temperature range of -32 °C to 49 °C.

(3) Molten carbonate fuel cell (MCFC)

MCFC is a liquid electrolyte-based fuel cell. The cells are arranged as flat, planar-configured stacks. An MCFC typically consists of a lithium–potassium or lithium–sodium based electrolyte. After cathode reaction, carbonate ions migrate through the electrolyte to the anode to complete the fuel oxidation. As carbon dioxide produced at the anode is required at the cathode, it has to be transferred from the anode exhaust to the cathode inlet by either mixing the anode exhaust with incoming air or physically separating the carbon dioxide from the other types of exhaust gases through a ‘product exchange device’.

Operating temperature of MCFC is very high, about 650 °C. This allows internal reforming of hydrocarbon fuels, thus improving both system design and efficiency. Moreover, high operating temperature and fast electrode kinetics eliminate the need for expensive noble metal electrocatalysts and lead to the highest electric efficiency (44%). As MCFC is inherently resistant to carbon monoxide poisoning, it can operate on different types of fuel.

However, MCFC requires costly, temperature-resistant and corrosion-resistant materials due to high operating temperature. The materials used are stainless steel alloys, ceramic composites and semiconducting oxides. Life expectancy of MCFCs is lowered due to problems like cathode dissolution in the electrolyte, electrolyte management and hardware corrosion. However, extensive research is going on to extend the cell life to 40,000 hours.

MCFC produces high quality waste heat that can be effectively utilised for fuel processing, cogeneration, internal methane reforming and industrial processes. It is therefore expected to capture markets for CHP applications in hotels, schools, small-to medium-sized hospitals, shopping malls, as well as in chemical, paper, metal, food and plastic industries.

(4) Solid oxide fuel cell (SOFC)

SOFC consists of a solid-state electrolyte and a solid yittra-stabilised zirconia ceramic material as the electrolyte layer. It has the highest operating temperature of 1,000 °C amongst all fuel cells. Unlike PAFC or MCFC, the solid phase design of SOFC requires only two phases (gas and solid) for the charge transfer reactions at the electrolyte–electrode interface. This simplifies the design by eliminating corrosion and electrolyte management concerns.

During operation, the oxidant enters the cathode compartment. After electrode reaction, oxygen ions migrate through the electrolyte layer to the anode where hydrogen is oxidised. The high operating temperature provides adequate heat for the endothermic reforming reaction. SOFC, thus, is more tolerant to fuel impurities and can operate using hydrogen and carbon monoxide fuels directly at the anode. It does not need external reformers or catalysts to produce hydrogen. This feature makes SOFC especially attractive for fuels like biomass or coal gasification.

When integrated with a gas turbine (SOFC-GT systems), SOFC systems achieve almost 70–75% electrical efficiencies, the highest amongst all the fuel cell technologies. They also have lifetimes of 10–20 years, which is two to four times higher than other fuel cells. SOFC is well suited for DG systems, CHP applications and applications such as small portable generators. Two different SOFC geometries are available, viz. tubular design for large capacity cogeneration and DG applications and planar design for small capacity power generation applications.

The main disadvantage of the SOFC is the stringent material requirement for the critical cell components due to high operating temperature. The use of exotic ceramics, metal–ceramic composites and high-temperature alloys and the manufacturing techniques required by these materials increase the cost of SOFCs to a great extent. Because of this, manufacturers are currently trying to reduce the operating temperature to about 700–900 °C.

2.3 Wind energy conversion systems (WECS)

WECS convert wind energy into electrical energy. The principal component of WECS is the wind turbine. This is coupled to the generator through a multiple-ratio gearbox. Usually induction generators are used in WECS. The main parts of a wind turbine are the tower, the rotor and the nacelle. The nacelle accommodates the transmission mechanisms and the generator. Rotor may have two or more blades. Wind turbine captures the kinetic energy of wind flow through rotor blades and transfers the energy to the induction generator side through the gearbox. The generator shaft is driven by the wind turbine to generate electric power. The function of the gearbox is to transform the slower rotational speeds of the wind turbine to higher rotational speeds on the induction generator side. Output voltage and frequency is maintained within specified range, by using supervisory metering, control and protection techniques. Wind turbines may have horizontal axis configuration or vertical axis configuration. The average commercial turbine size of WECS was 300 kW until the mid-1990s, but recently machines of larger capacity, up to 5 MW, have been developed and installed.

The output power of a wind turbine is determined by several factors such as wind velocity, size and shape of the turbine. The power developed is given by

$$P = \frac{1}{2} C_p \rho V^3 A \quad (2.2)$$

where P is power (W), C_p power coefficient, ρ air density (kg/m^3), V wind velocity (m/s) and A swept area of rotor blades (m^2).

Power coefficient C_p gives a measure of the amount of energy extracted by the turbine rotor. Its value varies with rotor design and the tip speed ratio (TSR). TSR is the relative speed of the rotor and the wind and has a maximum practical value of about 0.4. The torque output often suffers from dynamic variations due to fluctuations in wind speed caused by tower shadow, wind shear and turbulence. These variations lead to a dynamic perturbation in the output power and hence a flicker in the generated voltage. In a constant speed wind turbine, power variation and voltage flicker do pose a problem in the network. On the contrary, variable speed wind turbine systems provide much smoother output power and more stable bus voltage with lower losses. However, a major problem of WECS is that due to the intermittent nature of generation and energy consumption in the generating plant itself, the declared net capacity is lesser than the nameplate capacity.

2.3.1 Wind turbine operating systems

Depending on controllability, wind turbine operating systems are classified as (1) constant speed wind turbines and (2) variable speed wind turbines.

2.3.1.1 Constant speed wind turbines

These operate at almost constant speed as predetermined by the generator design and gearbox ratio. The control schemes are always aimed at maximising either energy capture by controlling the rotor torque or the power output at high winds by regulating the pitch angle. According to the control strategy, constant speed wind turbines are again subdivided into (i) stall-regulated turbines and (ii) pitch-regulated turbines.

Constant speed stall-regulated turbines have no options for any control input. Here, the turbine blades are designed with a fixed pitch to operate near the optimal TSR for a given wind speed. When wind speed increases, the angle of attack also increases. Consequently an increasingly large portion of the blade starting at the blade root enters the stall region. This results in the reduced rotor efficiency and limitation of the power output. Another variation of this concept is to operate the wind turbine at two distinct constant operating speeds by either changing the number of poles of the induction generator or changing the gear ratio. The main advantage of stall regulation is its simplicity. However, the main disadvantage is that these wind turbines are not able to capture wind energy in an efficient manner at wind speeds other than the design speed. Constant speed pitch-regulated turbines typically use pitch regulation for starting up. After start-up, power can be controlled only above the rated wind speed of the turbine.

Constant speed wind turbine operating systems have the following advantages:

- (1) They have a simple, robust construction and are electrically efficient.
- (2) They are highly reliable due to fewer parts.
- (3) No current harmonics are generated as there is no frequency conversion.
- (4) They have a lower capital cost as compared to variable speed wind turbines.

However, they have the following disadvantages as compared to variable speed turbines:

- (1) They are aerodynamically less efficient.
- (2) They are prone to mechanical stress and are more noisy.

2.3.1.2 Variable speed wind turbine system

A typical variable speed pitch-regulated wind turbine system is shown in Figure 2.5. It has two methods for controlling the turbine operation, viz. speed changes and blade pitch changes. The control strategies usually employed are (i) power optimisation strategy and (ii) power limitation strategy.

Power optimisation strategy is employed when the wind speed is below the rated value. This strategy optimises the energy capture by maintaining a constant speed corresponding to the optimum TSR. If, however, speed is changed due to load variation, the generator may be overloaded for wind speeds above nominal value. To avoid this, methods like generator torque control are used to control the speed. Power limitation strategy is used for wind speeds above the rated value. This strategy limits the output power to the rated value by changing the blade pitch to reduce the aerodynamic efficiency.

Variable speed wind turbine systems have the following advantages:

- (1) They have high energy capture capacity and are subjected to less mechanical stress.
- (2) They are aerodynamically efficient and have low transient torque.

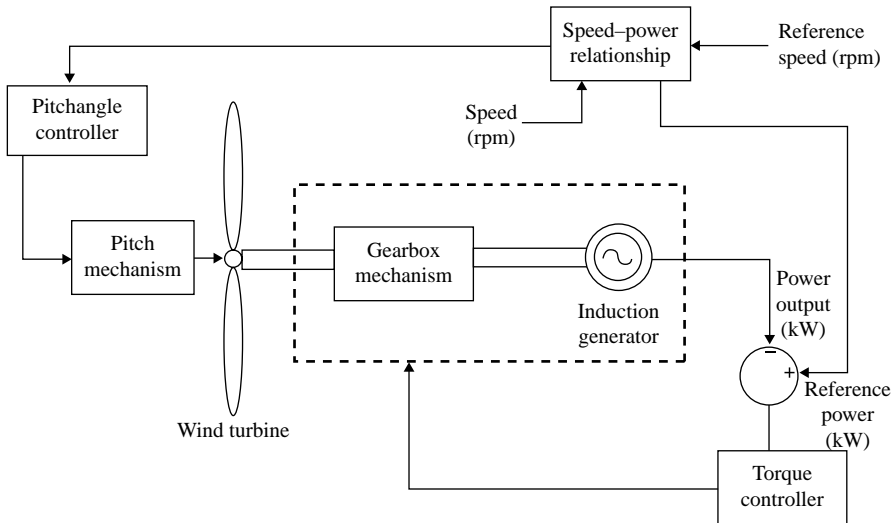


Figure 2.5 Variable speed pitch-regulated wind turbine

- (3) No mechanical damping systems are required as the electrical system can effectively provide the damping.
- (4) They do not suffer from synchronisation problems or voltage sags due to stiff electrical controls.

However, they have the following disadvantages as compared to constant speed turbines:

- (1) They have lower electrical efficiency.
- (2) They are more expensive and sometimes require complex control strategies.

2.4 Solar photovoltaic (PV) systems

Solar PV generation involves the generation of electricity from free and inexhaustible solar energy. The major advantages of a PV system are (i) sustainable nature of solar energy as fuel, (ii) minimum environmental impact, (iii) drastic reduction in customers' electricity bills due to free availability of sunlight, (iv) long functional lifetime of over 30 years with minimum maintenance and (v) silent operation. Owing to these benefits, today PV systems are recognised by governments, environmental organisations and commercial organisations as a technology with the potential to supply a significant part of the world's energy needs in a sustainable and renewable manner. Moreover, due to the extensive improvement in inverter technologies, PV generation is now being preferred and deployed worldwide as DERs for augmentation of local generation at distribution voltage level.

Though PV cells can be effectively used as a DER in a Microgrid, yet they suffer from the disadvantages of high installation cost and low energy efficiency. It has been studied that small PV installations are more cost-effective than larger ones, which indicates the effectiveness of feeding PV generation directly into customer circuits at low voltage distribution networks. However, the nature of PV generation being DC, suitable power converter circuits are to be employed for converting DC power into AC at the specified frequency level. Hence, they can be potential contributors to a Microgrid.

Solar energy reaches the PV cell in two components, direct and diffuse. The direct component is about 85% and comes through direct radiation. The diffuse component is about 15% and comes through scattered diffusion in the atmosphere. A PV cell behaves as a photodiode. Light energy incident on the cell surface in the form of photons generates electron-hole pairs as current carriers at the p-n junction. Thus, photocurrent produced by a PV cell is directly related to its surface area, incident irradiance and ambient temperature. Generated voltage is limited by the forward voltage drop across the p-n junction. As the voltage and the current output of a single cell are very small, a large number of cells are arranged in series-parallel combination to produce PV arrays or modules of higher voltage and power rating. Most PV modules are equipped with maximum power point tracking (MPPT) systems that maximise the power output from the modules by shifting the operating point depending on the solar irradiance.

2.4.1 *Types of PV cell*

There are mainly four different types of PV cells, which are as follows:

- (1) Monocrystalline silicon
- (2) Multicrystalline silicon
- (3) Thin-film silicon
- (4) Hybrid

2.4.1.1 **Monocrystalline silicon**

These consist of cells saw-cut from a single cylindrical crystal of silicon. The main advantage of monocrystalline cells is their high efficiencies of about 15%, although the manufacturing process is complicated and expensive.

2.4.1.2 **Multicrystalline silicon**

These are made from cells cut from an ingot of melted and recrystallised silicon. In the process, molten silicon is cast into ingots of polycrystalline silicon. These ingots are then saw-cut into very thin wafers and assembled into complete cells. Multicrystalline cells are cheaper than monocrystalline cells due to their simpler manufacturing process. However, they have lower efficiencies as compared to monocrystalline cells (about 12%).

Thick-film silicon is a multicrystalline technology where the silicon is deposited in a continuous process onto a base material giving a fine-grained, sparkling appearance. The cell is encapsulated in a transparent insulating polymer with a tempered glass cover and usually bound into a strong aluminium frame.

2.4.1.3 **Thin-film silicon**

Amorphous silicon cells are made from silicon atoms in a thin homogenous layer rather than a crystal structure. Amorphous silicon absorbs light more effectively than crystalline silicon. Therefore, the cells are thinner. For this reason, amorphous silicon is also known as a ‘thin-film’ PV technology. Amorphous silicon can be deposited on a wide range of substrates, both rigid and flexible, which makes it ideal for curved surfaces and ‘fold-away’ modules. Amorphous cells are, however, less efficient than crystalline cells. Typical efficiency is around 6%, but they are easier and therefore cheaper to produce.

Other thin films

Apart from silicon, other light-sensitive materials like cadmium telluride (CdTe) and copper indium diselenide (CIS) are also used for thin-film PV cells. Such cells can be manufactured by relatively inexpensive industrial processes with respect to crystalline silicon technologies. They also offer higher module efficiencies than thin-film silicon modules.

2.4.1.4 **Hybrid**

Upcoming hybrid solutions like the amorphous silicon/crystalline silicon (s-Si:H/c-Si) heterojunction (HJ) solar cells are now becoming popular basically due to their excellent performance and simple low-temperature production process. These hybrid

PV cells combine both monocrystalline and thin-film silicons to produce cells with the best features of both technologies. The key feature of the HIT technology (HIT – heterojunction with intrinsic thin layer), as conceptualised by the Sanyo group, is that a thin intrinsic layer of amorphous silicon is inserted between the amorphous emitter and the crystalline base forming an HJ solar cell with heterogeneous intrinsic thin layer. The buffer layer, owing to its excellent passivating properties, gives very high open circuit voltages and module efficiencies as high as 17%.

Table 2.1 gives a comparative study of different types of PV technologies.

The UK government has recently committed £10 million towards encouraging the installation of PV systems in the buildings of the UK as energy use in buildings accounts for over 30% of the UK's energy usage. In the UK, PV systems are also being used for a long time to provide high-reliability power for industrial use in remote and inaccessible locations, or where the small amount of power required is more economically met from a stand-alone PV system than from mains electricity. Some of such applications include (i) powering navigation buoys, lighthouses and offshore warning light vessels around the English and Welsh coastline, (ii) trickle charging batteries for agricultural applications, (iii) providing power for lighting systems and telephone boxes in premises like railway platforms and (iv) powering summer cottages and farm buildings. Major industrial companies like Transco are using PV-powered control systems, data loggers and automatic reading equipment.

Table 2.1 Comparison of PV technologies

PV technology	Monocrystalline	Multicrystalline	Thin film	Hybrid
Cell efficiency at Standard Test Conditions (STC) (%)	16–17	14–15	8–12	18–19
Module efficiency (%)	13–15	12–14	5–7	16–17
Area needed per kW _p (for modules) (m ²)	7 (Sharp)	8 (Sharp)	15.5 (Kaneka) 16 (Unisolar)	6–6.5 (Sanyo)
Annual energy generated per kW _p in the UK (south facing, 30° tilt) (kWh/kW _p)	830	810	800	865
Annual energy generated per m ² (south facing, 30° tilt) (kWh/m ²)	107	100	50–52	139–150
Annual CO ₂ savings per kW _p (kg/kW _p)	471	460	454	491
Annual CO ₂ savings per m ² (kg/m ²)	61	57	28	79–85

Currently, water supply companies are using PV systems to trickle charge their batteries in remote monitoring equipment, while the Meteorological Office has installed PV-powered remote sensing equipment in northern UK.

2.5 Small-scale hydroelectric power generation

The small-scale hydroelectric generators are effectively used for generating power onsite in Microgrids. Extent of generation depends on the topography of an area and its annual precipitation. These generators suffer from large variations in generation due to variable water flow caused by uneven rainfall. This is particularly true for hydro power stations, which do not have their own storage reservoirs and for which the catchment area is spread over rocky soil without vegetation cover. Variable water resources also lead to varying generation with a low capacity factor. Capacity factor is defined as the ratio of available annual energy to its rated annual capacity. The power output from a hydro turbine is given by

$$P = QH\eta\rho g \quad (2.3)$$

where P is power output (W), Q water flow rate (m^3/s), H effective head (m), η overall efficiency, ρ water density ($1,000 \text{ kg}/\text{m}^3$) and g acceleration due to gravity.

Equation (2.3) indicates that the power output can be increased by increasing both effective head and water flow rate. Penstock is the pipeline through which water is brought to the turbine. The cross section of the penstock is suitably designed for optimum water flow rate. Various types of water turbines are used depending on available water heads and flow rates. Usually, reaction turbines operate at lower heads (e.g. Francis and Kaplan turbines) and the impulse turbines (e.g. Pelton wheels and Turgo turbines) operate at higher heads. Reaction turbines extract energy from pressure drop whereas impulse turbines extract power from the kinetic energy of water jets at atmospheric pressure. Cross-flow impulse turbines are used for small hydro units where kinetic energy is extracted from water striking the turbine blades as a water sheet rather than a jet. Both synchronous and induction generators may be used for small-scale hydrogeneration with suitable multiple-ratio gearboxes. However, suitable precautions must be taken during designing a turbine so that its damage due to overspeeding can be avoided during sudden loss of load.

2.6 Other renewable energy sources

Landfill gas, biomass, municipal waste, etc., are treated as other renewable energy sources for generation of electricity. The location of these generators is determined by the availability of these resources. Major drawbacks of these resources are low-energy density, scarcity of resource and difficulty in storing them in large quantities. Since storage is not cost-effective, these generators are normally of small capacity and operate in load pockets close to the resources. A competitive arrangement,

NFFO (Non-Fossil Fuel Obligation) was created in the UK to encourage generation from renewable energy resources in the late 1990s. The NFFO scheme has been replaced by another support mechanism named as Green Certificates in the year 2000, imposing some obligation on the electricity suppliers' liability to generate a minimum percentage of their total generation from renewable sources. Other countries have also adopted different strategies and sometimes direct government intervention to encourage similar generation schemes.

2.7 Storage devices

The backup energy storage devices that must be included in Microgrids to ensure uninterrupted power supply are

- (1) storage batteries,
- (2) flywheels,
- (3) ultra capacitors.

These devices should be connected to the DC bus of the Microgrid and provided with ride-through capabilities during system changes.

2.8 Conclusion

The basics of some of the DER technologies are briefly discussed in this chapter along with their advantages and disadvantages. The readers may go through to the corresponding bibliography for further details on the technologies. Mostly the popular DERs namely CHP systems, WECS, small-scale hydroelectric generation, solar PV and other renewable energy sources are discussed. Though storage devices are not typical DERs, but for exploiting maximum benefits from Microgrids the application of several storage devices is mandatory with proper demand side management. Some of the research outcomes of the authors are incorporated in the appendices as examples of Microgrid research. The major impacts of Microgrids are discussed in the next chapter.

Chapter 3

Impacts of Microgrid

3.1 Introduction

Microgrids appear to the main grid as aggregated units of loads and microsources. As discussed in Chapter 1, Microgrids are designed as small-scale, low voltage (LV) combined heat and power (CHP) networks for supplying electrical and heat loads to small pockets of customers. More than one Microgrids may also be integrated to form power parks for supplying larger load pockets. The microsources connected to a Microgrid use diverse types of low-carbon generation technologies as discussed in Chapter 2. Microgrids are normally operated in two modes: (i) stand-alone mode as autonomous power islands and (ii) grid-connected mode in synchronism with the main utility grid as per grid rules and regulations. In both modes, they ensure significant benefits to customers as well as to the main grid. Microgrids have enormous impact on main grid operation and its customers. This chapter discusses the technical, economical and environmental impacts of Microgrid. It covers aspects of electricity/heat generation and utilisation, process optimisation, and electricity and gas market reforms to accommodate Microgrids for their potential environmental benefits.

Effective utilisation of waste heat in CHP microsources is one of the potential benefits of a Microgrid. Good co-ordination between heat production, efficient heat utilisation in heat ventilation air conditioning (HVAC) units, chillers, desiccant dehumidifiers, etc., and thermal energy storage (TES) requirements is required for energy optimisation in Microgrids. This can be achieved by incorporating heat generation control and thermal process control features in central controllers (CCs). Similarly, process optimisation functions to enhance overall system efficiency and reliability can also be built in the CCs.

Microgrids have remarkable impact on existing electricity and gas markets. To harness their benefits fully, their market participation must be encouraged. Suitable market reforms must be made to allow such participation, and financial incentives should be provided for owners to invest in Microgrids. Major changes in conventional electricity market have already been initiated in some countries.

Once market participation is assured, there is a vast opportunity for Microgrids to supply quality service to the main utility distribution system. They can naturally provide significant ancillary services to the utility, such as voltage regulation

through reactive power support, contingency power reserve and auxiliary power for system black start.

With rising concern for global warming and environmental pollution, most countries are trying to reduce their emission levels as per the Kyoto Protocol. Global carbon commitment has been set to reduce carbon emission by 50% by 2050. Therefore, many countries are concentrating more on setting up eco-friendly plants with low-carbon generators. Microgrids with cleaner microsources are increasingly preferred in this regard for reducing the overall environmental impact caused by power generation. To combat pollution, CCs may be suitably programmed to make dispatch decisions for the microsources after proper assessment of the pollution level caused by the net emission in the locality. Rules and regulations may be framed in future for giving credit to Microgrids that would help to substantially reduce net greenhouse gas (GHG) and particulate emissions in the environment.

Proper functioning of CCs, first of all, requires well-structured communication standards and protocols. This chapter explores the possibilities of establishing cost-effective, user-friendly and reliable communication standards, protocols and procedures for CCs. Besides, the prospects of implementing building combined cooling, heating and power (BCCHP) system in Microgrid are also discussed.

3.2 Impact on heat utilisation

The CHP microsources may be operated at very high energy efficiencies and the generated heat effectively used to supply local heat loads. This would significantly improve the overall operating efficiency of the Microgrid. However, Microgrids must also include TES facilities to enhance the effectiveness of heat usage. This section discusses heat utilisation in different types of heat loads with detailed discussions on absorption chillers and desiccant dehumidifiers. It also discusses the prospects and needs for TES.

3.2.1 Supply of thermal energy

In conventional power stations, around 70% of the energy content of fossil fuels is lost in the power plant itself as waste heat; this heat is mainly released into the atmosphere, resulting in gradual global warming. It must be mentioned that recent trend in applying the carbon capture and storage (CCS) in thermal power plants might remarkably raise thermal efficiency to about 50% from conventional 30%. Nevertheless, there is an additional loss of about 8% of fuel energy content in transmission and distribution network. If electricity is generated at customers' end by CHP microsources and the entire waste heat is used locally, then the energy loss in the form of waste heat as well as transmission and distribution (T&D) loss is drastically reduced. This leads to very high system efficiency and significant reduction in emissions.

Waste heat may be utilised in thermal equipments such as facility/room air heaters, heat recovery steam generators, heat recovery boilers, desiccant dehumidifiers, steam turbines, absorption chillers, hydronic reheat coils, hot water heaters,

humidifiers and TES systems. The details of thermal equipments are beyond the scope of this book. However, some of the technologies are discussed in the following sections just to conceive the idea of proper utilisation of heat energy in Microgrid. Studies show that CHP systems can bring about almost 30% improvement in energy efficiency and help to achieve a total energy efficiency of about 80%.

From business point of view, large industrial systems with combined-cycle power plants of over 50 MW capacities may be operated as an Independent Power Producer (IPP). These industries may then sell the generated steam to another industrial customer as process steam. The newly developing district energy system (DES) also provides a growing market for the heat produced by CHP resources. A DES is designed to distribute steam and hot/chilled water from a central plant to individual buildings through a network of pipelines for space heating, air conditioning, domestic hot water and/or process heat. DES can be installed at large campuses such as universities, hospitals, industrial parks, office complexes or housing estates.

With the development of relevant market, several manufacturers are coming up with CHP systems using reciprocating engines, combustion turbines and micro-turbines starting from a rating of 25 kW. However, the technical and economic benefits as well as the area of heat utilisation for these small systems must be critically assessed against the benefits obtained from the 50 MW combined-cycle base-load plants. Large plants usually supply the steam for large, established loads like heating of dormitories, heating petroleum in a refining operation or cooking in a food processing industry. On the other hand, the smaller domestic-type heat loads may be supplied by CHP microsourses in Microgrids. Typical heat loads for Microgrids would be domestic water/space heaters, heat-activated air conditioners, chillers or desiccant dehumidifiers.

The design and operation philosophy of Microgrids resemble that of the large combined-cycle plants. For both systems, heat production is the first priority and electric power is the by-product. For combined-cycle plants, the steam loads are practically designed at the time of boiler sizing. Similarly, for Microgrids, the heat loads should ideally be designed at the time of project planning.

Some issues that are likely to discourage the development of a suitable market for the heat produced are as follows:

- (1) The thermal equipments are costly and use relatively new technologies.
- (2) Their operation is not autonomous and has to be co-ordinated with the operation of the microsourses through the Microgrid CC.
- (3) The heat load requirement may not coincide with the most attractive time to operate the microsourses (i.e. during peak hours). In that case, the alternative solution is to set up thermal storage facilities, which again increases installation cost.

To facilitate successful integration of CHP microsourses as Microgrids, several countries are trying to develop modular or packaged CHP systems consisting of a

microturbine, a desiccant-type dehumidifier and absorption chiller. The idea is that the microturbine would generate power for the building while the waste heat in the exhaust would supply the absorption chiller and dehumidifier. From utilisation point of view, the main advantage of using CHP sources in air conditioning applications is that the peak demand for air conditioning usually coincides with the utility peak demand for power.

3.2.2 *Absorption chillers*

The absorption chillers utilise a condenser, an evaporator and a thermal compressor system. It is similar to a conventional vapour compression system, except that it uses a thermal compressor in place of motorised compressor. The thermal compressor consists of an absorber, a generator and a small pump. It takes in low-pressure refrigerant at its suction end and delivers a high-pressure refrigerant at its discharge end. The high-pressure refrigerant vapour (water or ammonia) passes from the generator of the compressor to the condenser. This vapour is then condensed into a liquid and the heat of condensation is released into the atmosphere. The liquid refrigerant passes through an expansion valve that reduces its pressure, consequently decreasing the boiling temperature. The low-pressure refrigerant is then moved into the evaporator, where the liquid boils by drawing heat from the chilled water stream flowing through the evaporator. This in turn cools the chilled water. After this, the low-pressure refrigerant vapour is passed from the evaporator to the absorber. Absorption process takes place at the absorber. A strong absorbent solution with a relatively strong affinity for refrigerant is added to the absorber as a part of the process. Usually lithium bromide/water solution or ammonia/water solution is used for this purpose. During absorption, the low-pressure refrigerant vapour and the strong absorbent gradually combine to give a weak absorbent solution. The weak solution is then sent through a solution pump to the generator where heat is added to boil out the refrigerant from solution. The strong solution is sent back to the absorber after reducing its pressure through an expansion valve and the high-pressure refrigerant vapour is then passed to the condenser to repeat the process.

The operating efficiency of the chiller may be improved by placing a solution heat exchanger between the weak absorbent solution stream entering the generator and the strong absorbent solution stream leaving the generator. This internal heat recovery mechanism reduces the quantity of heat input required to boil the refrigerant out of the solution, thereby increasing its efficiency.

3.2.3 *Desiccant dehumidifiers*

A desiccant dehumidifier consists of a desiccant wheel filled with desiccant material, and the process and regeneration air circuits. During operation, process air is made to flow through the desiccant wheel for removing the moisture from the air stream before it enters the building. The desiccant material is restored to its dry state by exposing it to the hot regeneration air stream as the desiccant wheel rotates. After that, the regeneration air is discharged to the atmosphere. When

moisture is removed from the air, heat is released and the air temperature rises. The hot air is then cooled with heat recovery devices and conventional air conditioner is then used for the final cooling. The final cooling requires much less energy as the air is already dry and free from moisture. In some desiccant systems, a wheel containing desiccant material continuously dries the air and then routes the desiccant material through the waste heat stream to drive out the accumulated moisture.

3.2.4 Thermal energy storage

TES technique is used to store thermal energy to meet HVAC or other process needs. TES is a peak shifting technique that uses various types of storage mediums like chilled water, ice, eutectic salt, concrete or stone. The planning and utilisation of TES through peak shifting may well be implemented with the CCs by programming them to dispatch to the TES according to the next day's cost of power and weather forecast and then its control during the on-peak period.

The traditional method involves using HVAC chillers with a TES tank to shift peak loads. Therefore, when generation falls short or warm weather is predicted for the following day, the CC may decide to use utility or locally generated power at night to charge a TES tank, while during peak times, it may circulate chilled fluid from the storage tank (through a secondary heat exchanger) for meeting the on-peak cooling requirements.

The CC may be programmed according to any or all the three storage sizing strategies that follow:

- (1) *Full storage* – This technique shifts all HVAC demand caused by cooling to off-peak hours.
- (2) *Demand-limited partial storage* – This method requires real-time control and reduces the peak demand to some pre-determined level according to the demand imposed by the non-cooling loads.
- (3) *Load-levelling partial storage* – This method partly supplies the cooling needs for levelling load demand.

3.3 Impact on process optimisation

Microgrid CCs may be effectively employed for optimisation of HVAC systems and manufacturing processes. This section reviews the possible role of CCs in optimising the operation of these systems with respect to power quality, cost of power, transmission congestion cost, basic Microgrid cost, etc.

3.3.1 HVAC system optimisation

CCs can be used for optimising the overall efficiency of the HVAC system and improving its reliability. The computations required for this should consider the energy efficiency value of the major components of the HVAC system such as

chillers, pumping system, evaporators and cooling towers. The efficiency parameters are expressed as the coefficient of performance (COP) given by

$$\text{COP} = \frac{\text{Heat or power output}}{\text{Power or equivalent fuel-value input}} \quad (3.1)$$

The COP depends on several factors like load and humidity. COP values for various processes of HVAC system are usually as follows:

- (1) Efficiency of conversion of purchased natural gas to useful heat $\cong 0.85$.
- (2) Efficiency of conversion of residual heat to useful heat $\cong 0.7$.
- (3) Efficiency of electricity generation of a reciprocating engine $\cong 0.28$.
- (4) Efficiency of absorption chillers to reduce electrical cooling load $\cong 1.0$.
- (5) Efficiency of electric compressor-driven air conditioning systems $\cong 0.5$.

The CC should have the knowledge of these COPs for assessing the cost of various combinations of CHP and non-CHP microsources and absorption chiller technologies. It should also consider the variation of COPs according to ambient temperature.

Optimal operation of HVAC systems should consider the fact that this equipment significantly contribute to the peak load. Therefore, for peak shaving by shifting this load, TES should be made readily adaptable to commercial cooling systems and their central chilled water plants. However, the operation of the TES again depends on the type of storage, weather conditions, weather forecast, operating temperature, etc. Thus the optimal use of storage would require long-term contract arrangements and planning for the operation of CHP microsources. Due to several factors mentioned in the preceding text, the optimisation process can only be managed by co-ordinating the operation of the CHP source and the thermal equipments through a CC.

Studies show that in a typical Microgrid model consisting of a shopping centre, overall cost savings of about 65% can be achieved by using a combination of CHP and non-CHP microsources. This is achieved even if (i) the electrical load is about ten times greater than the heat load, (ii) waste heat is of same type and quality and (iii) waste heat from the CHP sources is not fully utilised. The overall energy efficiency of the system can be increased to more than 90% just by matching thermal and electrical loads exactly to the output of the CHP system. However, for more realistic CHP systems with diverse types of customers, all the real-time information related to the type and capacity of the heat loads, their operating temperatures, flow rates, distances, pressures and efficiency curves should be fed to the CC. These must be updated from time to time for calculating the optimal operating condition for the HVAC system and the CHP microsources.

Some studies indicate that with increasing complexity in the control philosophy, the energy management systems of the HVAC systems fail to function properly. Their functions become too intricate to be properly understood by the manual operators. This has led to the development of more sophisticated control strategies some of which proved to be quite useful on testing. One such control system is known as Information Monitoring and Diagnostic System (IMDS). During testing,

IMDS was installed at the test building with data visualisation software. The 57 measured and 28 calculated points and the trended data were carefully examined by the operators to understand how the original controls and systems actually worked. It was found that the IMDS could identify operational problems as well as significant saving opportunities. It could also be used to improve the utilisation of the existing controls. The test indicated the importance of data visualisation software in understanding the operation of complex systems. The test also highlighted the prospects of its application for economically optimising the operation of Microgrids in co-ordination with utility power distribution and building HVAC systems.

Apart from enhancing the energy efficiency of HVAC systems, sophisticated control strategies can also be used for improving the air quality. Air quality includes air temperature, humidity and CO₂ content. Better air quality is directly related to higher operating costs of the HVAC system because in such cases, the air needs to be cooled first for controlling humidity and more air changes per hour are required for controlling the CO₂ content. The cost increases further when a large number of people are staying in a building leading to higher CO₂ concentration of the indoor air.

It is found that for a large housing complex or a college campus, the energy costs for the HVAC system may be reduced by more than 50% by monitoring the CO₂ level and controlling the air quality. This results in almost 34% reduction in total electric energy costs for the building. Air quality control can be easily implemented through the CC of the Microgrid that supplies the HVAC system.

3.3.2 Power quality

Most of the electronic loads are vulnerable to transients, voltage sags, harmonics, momentary interruptions, etc. These are termed power quality or PQ-sensitive loads. Therefore, both power quality and reliability are of paramount importance. Power quality is a relatively new concept that has gained importance only recently. Voltage sags lasting for only one or two cycles were ignored in the past, but these are now treated as outages. Similarly, momentary interruptions, harmonics and phase imbalances now come under power quality concerns. Though power quality problems have huge economic impact on the industrial processes, but due to diverse industrial applications and several power quality measurements, it is difficult to quantify the exact cost incurred by power quality problems. Some important aspects of power quality problems that are directly related to the financial losses due to outages are as follows:

- (1) Magnitude and duration of contingency, e.g. any high-voltage surge.
- (2) The nature of process interruption and equipment damage.
- (3) Frequency of occurrence of contingency.
- (4) The time at which the contingency occurs, e.g. whether at peak periods or off-peak periods of production.
- (5) Predictability of the customers and the advance notice available to them before the occurrence of any expected contingency.

Some studies are undertaken in the USA by Lawrence Berkeley National Laboratory for studying the impacts of the aforesaid aspects on susceptible office/

manufacturing equipments. It is estimated that in the USA, the costs incurred by these outages range from \$25 billion to \$150 billion per year.

Microgrids may be employed to control the power quality locally according to customers' requirements even on an hourly basis. It is quite difficult for utility grid to take care of the special power quality needs of a particular customer. The conventional utility grid normally provides a uniform level of quality and service to all customers within a given area and does not easily differentiate among their needs. In recent years, some countries are taking special interest in improving overall power quality. A special rate structure is under development in Australia to reward utilities that would provide higher levels of power quality by providing incentives for avoiding outages. However, the incentive rates and structures are not yet well established. The regulators in Australia are of the opinion that distributors should be liable for the external events like severe storms, load shedding and shortfalls in generating capacity. They argue that the distribution utility is in a better position to take action to alleviate the risks of these contingencies than the individual customers. This scenario can be significantly changed in case of Microgrids because customers connected to a Microgrid are in a much better position to enjoy the required power quality without paying any extra tariff or fee for the improved quality.

3.3.3 Power cost considerations

Microgrids play a significant role in reducing system expansion costs of the main power utility by deferring the immediate requirement of enhancing its transmission capacity of existing lines and/or of setting up new transmission lines. It helps to utilise properly T&D assets by suitable asset management and definitely benefits the customers, as this cost is realised from the tariff imposed on them. Several case studies undertaken in the USA indicate that Microgrids can help to attain remarkable reduction in power costs by alleviating the utility's needs for system expansion.

3.3.4 Costs of transmission congestion

Microgrids help to reduce the stress on transmission grid by sharing its loads. Customers have to pay heavily for power supply due to interregional transmission congestion. Moreover, thousands of industries with critical energy reliability needs tend to suffer from high financial losses due to power interruptions caused by line overloading. The Department of Energy (DOE) reports in the USA have reflected that investment in new transmission facilities is lagging far behind that in new generation and the growth in electrical consumption. This further worsens transmission congestion. Therefore, Microgrids may prove to be a potential solution for reducing transmission line overloads and congestion.

3.3.5 Basic Microgrid cost considerations

In general, Microgrids can provide the following monetary benefits:

- (1) Generation cost may reduce drastically depending on generator efficiency and local power costs including demand charges. Primarily, it is quantified based

- on various projected future fuel costs and electricity costs, in spite of some financial uncertainty and risks.
- (2) Generation efficiency may be considerably improved by using CHP microsources.
 - (3) If Microgrids are allowed to export power to the main power utility at preferable tariffs and as per local interconnection standards, it would lead to significant monetary benefits for the utility during periods of high power congestion.
 - (4) The on-site nature of microsources and the ability to operate the Microgrid in stand-alone mode would improve both power quality and reliability.
 - (5) In conventional power systems, the T&D losses vary from about 5% to 20%. These losses can be drastically reduced by optimal placement of CHP microsources in Microgrids. This would alleviate the needs for installing or upgrading long-distance feeders between Microgrid locations. Moreover, the physical proximity between the microsources and the loads would also reduce line losses.
 - (6) Microgrids can significantly improve the environmental air quality by using eco-friendly low-carbon generation technologies. This would lead to remarkable cost savings for the customers if local tariffs, incentives or statutes allow them to obtain emission reduction credits for displacing, reducing or eliminating emissions from grid-generated power.
 - (7) Microgrids allow fast expansion due to short lead times for using off-the-shelf commercial generation products.

3.4 Impact on market

For successful implementation of Microgrids, the energy market must come forward with strong financial incentives for both Microgrid owners and the power utilities. However, financial incentives can only be provided if there is a market for the ancillary services that the Microgrid may provide to the power utility. Development of such a market calls for major institutional changes. Some market reforms have already been taken place in some parts of the world. Ancillary services like voltage regulation have already been considered as trial programmes in some areas. The section discusses the existing market structure and its weaknesses, possibilities of developing a market for Microgrid services and necessary market reforms.

3.4.1 Possibilities in the electricity market

To facilitate market participation of Microgrids, the market reforms should aim at developing a market system for the generated power and the ancillary services. Their prices should vary to reflect the existing system conditions. That means when the system becomes stressed, the price should go up and vice versa. Therefore, the market price would be the primary factor in controlling the energy generation while other technical factors would be of secondary importance.

Microgrid's profitability from the market would entirely depend on how it responds to the price signals. If it fails to do so due to its own economic or technical constraints, it would have to continue operating only as per its own internal

requirements. This inability is considered as a violation of contract on the part of the Microgrid. Microgrid should avoid this inability to prevent volatility of the market. The aggregators and marketers normally assist both the system operator and Microgrid owners by combining resources with complementary capabilities. In this matter, Microgrid CC may be programmed to regulate electricity and heat generation according to the price signals from the market.

The market system should try to be more flexible by allowing augmentation of generation/storage and more control for loads. This flexibility would ultimately help the bidders to decide regarding their participation just by studying the market forces from time to time. This process would further help the markets to optimise the power system and the individual bidder's commercial ventures at the same time, minimising central planning and control.

Several commercial softwares are now used by microsource owners to perform detailed economic assessments. These tools help them determine the hourly deployment schedules based on rates or wholesale spot market prices on the basis of real-time price data. Some financial analysis programmes also use detailed modelling of the economic considerations. The economic considerations for this modelling are as follows:

- (1) Performance of turbines under site-specific conditions.
- (2) Daily energy demand for electrical/thermal load in blocks of time.
- (3) Database containing weather data to be used for predicting demand.
- (4) Dual-fuel configurations with natural gas and fuel oil.
- (5) Evaluation of CO, ammonia and NO_x emissions including the cost involved in controlling the emissions.
- (6) The cost of standby charges.
- (7) Utilisation of thermal energy.
- (8) Avoiding demand charges, thermal energy price and emissions.

3.4.2 Gas market and its difficulties

The increasing tendency to use gas-fired power generation systems is putting tremendous pressure on the natural gas delivery system in many countries. This might raise the natural gas demand by more than 30%. Some important consequences that might result from this dramatic increase are as follows:

- (1) The price of natural gas will go up considerably due to increase in demand and shortage of supply.
- (2) Increase in demand for gas supply will put excess pressure on existing gas pipeline capacity.
- (3) Majority of the gas pipeline network in an area will be consumed for power generation.
- (4) Potential loss of compression from pipeline interruption or compressor failure on the pipelines will pose maximum threat to reliability of power supply in a particular region.

- (5) Shortage of natural gas might have detrimental effect on the service reliability of gas-fired power generators. This may cause electrical security problem for the system operator.
- (6) For vertically integrated power utility, a drop in sales is almost always accompanied by a comparable drop in power cost. However, for a distribution company in the deregulated environment, there is no effective drop in operating costs for a corresponding drop in sales. Moreover, a distribution company has a relatively small equity rate base for which a 5% reduction in sales can actually result in a 50% drop in return on equity.

Therefore, a higher penetration of gas-based generators with no guarantee of supply reliability might pose a threat to the distribution companies under current market scenario.

3.4.3 Necessary market reforms

In the existing market mechanism, the retail customers cannot sense the supply-side cost variations, as these are not reflected in retail price signals. But, the cost information necessary for stimulating demand side responsiveness would not be available unless the CC participates in the wholesale power market. As the market situation is complicated, there are several reasons for which the CC might not be able to properly respond to market conditions. Some of the reasons are as follows:

- (1) Real wholesale costs may not be reflected in the retail tariff. Had it been so, Microgrids could be extremely price sensitive to electricity and natural gas costs, and could be tremendously responsive to the market forces.
- (2) As the wholesale energy market does not have demand side responsiveness from Microgrid end, the CCs usually provide a highly elastic demand curve. This would be of significant value in a day-ahead market, where the CC could guide the Microgrid to bid in 'capacity' based on the weather and process plans for the next day only. This would thereby permit only one day to plan for generation and consumption.
- (3) Load profiles that are used to assign wholesale costs to the energy suppliers fail to account for the actual service costs. A flatter level profile having a considerably lower actual cost is not reflected in the wholesale costs.
- (4) The existing wholesale market does not recognise the demand side resources as ancillary service providers. The ancillary service markets are yet to be established where the Microgrids could bid in for their services in such markets.
- (5) Transmission constraints are not considered in the pricing of wholesale energy services. Only locational pricing reflects the potential benefits provided by the microsources in eliminating congestion in the existing power supply network.
- (6) The markets for ancillary services are still in the budding stage. They are also quite unpredictable due to the lack of well-established equitable market rules. Therefore, the price caps and default service rates must be reformed such that they reveal the value of load profile response at different times and locations and also help to create markets for ancillary services to the existing distribution utility.

3.5 Impact on environment

Micro-CHP systems and other low-carbon generators can effectively reduce emissions and environmental warming. Apart from market sensitivity, this is one of the major criteria to support Microgrid operation. To implement eco-friendly operation, the CC should be programmed to make operational decisions based on the lowest net emission production, considering both displaced emissions and local emission from microsources.

If market-responsive CCs are to include ‘minimisation of pollution’ as an additional criterion for dispatch decisions, it would make their decision-making algorithms more complex. This complexity can be avoided if a reasonable and fair emission tariff is built into the market system. The tariff would value the electricity supplied from the microsources appropriately after considering the net reduction in emissions. In that case a measure of the net emission reduction is available from the price signal itself.

Emission tariff might be structured as a combined function of time, season and location so that at worst pollution times and locations, the tariff would be most attractive. This would then provide a signal to the CC to operate the microsource optimally for minimising emissions. In this regard, environmental policy initiatives and existing regulatory guidance should also be given due importance.

3.5.1 *Minimisation of pollutant deposition*

The US Environmental Protection Agency sets the ambient air limits for six air pollutants, viz. (i) nitrogen dioxide (NO₂), (ii) carbon monoxide (CO), (iii) sulphur dioxide (SO₂), (iv) lead (Pb), (v) ozone (O₃) and (vi) particulates. Power stations and highway vehicles are the largest producers of NO_x gases. Large gas turbines and reciprocating engines, operating at high temperature, also result in sufficient NO_x production. On the contrary, microturbines and fuel cells have much lower NO_x emission because of lower combustion temperatures. Thus, their application as microsources would significantly reduce carbon and nitrogen compounds and total hydrocarbons (THC).

Emissions for a microturbine depend on its operating temperature, power output and the control of the combustion process. Emissions can be minimised only through rapid and precise control of the combustion process. Such control is best provided by the microturbine’s own control system and should not be exerted through the CCs. The CC may only provide the generation set points for the microturbine considering the emission production versus power level and the displaced emissions for both heat and electric power output. For some applications, however, the CC may monitor the remaining oxygen concentration in the engine exhaust. If this is found to be high, the exhaust may be used either in direct heating or as air pre-heater for downstream burners. Microturbine manufacturers usually exert very strict control in order to minimise NO_x production. Some combustion control methods are as follows:

- (1) Wet diluent injection (WDI) method where water or steam is injected into the combustion zone to moderate the temperature. But this method increases CO emissions, reduces efficiency and shortens equipment life.
- (2) Catalytic reduction with agents like ammonia in the exhaust. This method is expensive and sometimes forms ammonia sulphate in the exhaust.
- (3) Use of catalytic combustors with noble metal catalysts that allow high gas flow rates and very low pressure drop.

Efforts are made to develop environmental–economic dispatch algorithms for microsources using atmospheric emissions of NO_x , SO_2 , CO, etc., as weighted functions.

For CHP microsources, usually heat optimisation is the first priority and electricity optimisation is secondary. This means that power production is dependent on customers' heat requirement. For large-scale CHP systems, the operating constraints are as follows:

- (1) Heat generated must be equal to the heat demand per hour.
- (2) Electricity generated in the process should be used to supply the electrical loads, and any extra power needed must be purchased.
- (3) The NO_x , CO_2 and SO_2 emissions must be maintained at specified limits.

Shadow prices might be developed to provide appropriate weighting factors to each of the above-mentioned constraints according to the importance of the variables. Shadow prices are mathematical tools used to quantify the importance of each variable. They might be a function of the present real price, the demand, the time of use and the season. Shadow prices might be established on hour-to-hour basis for each type of pollutants for generating both electrical and heat energy. These would be calculated and used by the CC to arrive at the economically optimal dispatch solution using an iterative method.

Seasonal and area-wise variation of emissions should be given due importance for scheduling and controlling the operation of generators. For example, ozone emission tends to rise in late spring and summer when ambient temperature is high. Due to lengthy reaction times, peak ozone concentrations mostly occur significantly downwind of source of emissions. Moreover, ozone tends to concentrate in densely populated areas at considerable distances downwind from urban areas. Thus, during warmer seasons, it is desirable to minimise NO_x production in or near large urban areas to reduce ozone formation. Microgrids using CHP microturbines can be very effective in accomplishing this. Therefore, attractive rate incentives, based on specific pollutant production, displaced emissions, expected temperature, etc., should be provided for controlling hazardous pollution.

3.6 Impact on distribution system

The most promising aspect of Microgrids is their ability to provide ancillary services to enhance reliability of the existing distribution system. Unlike conventional power stations, Microgrids are located very close to the load pockets. This makes

them more suitable for supplying the ancillary services than the conventional power stations. As centralised power stations are located quite far from the load centres, it is difficult for them to monitor and address the disturbances occurring in the load centres. The following section discusses some ancillary services provided by Microgrids and also the technical and regulatory barriers to overcome in exploiting such services.

3.6.1 Ancillary services

A typical vertically integrated power utility normally owns, controls and operates the entire generation, transmission and distribution systems. In vertical system, the customers are free to use this power any time. The utility has to guarantee customer satisfaction without compromising power quality, irrespective of the system condition. As the prices do not reflect the system conditions, the customers cannot take advantage of the cost benefits even if their actions help the power utility in any way. Moreover, customers pay for higher costs incurred by the utility for isolating itself from voltage/frequency fluctuations through higher average prices. Sometimes most customers are also forced to pay higher charges to the utility for the actions of only a few customers, for which they are not at all responsible. The vertical system allows negligible interaction between the customers and the power supply authority, except when the latter provides minor economic signals to the customers to guide their energy use through seasonal rates, time-of-use tariffs, demand charges and interruptible rates. However, restructuring and deregulation of power industry provide much greater scope of interaction between the two ends.

Restructuring began at the supply side but now it is gradually extending to the load side also. Traditionally, the ancillary services were provided by the supply authority itself. However, under deregulated regime, these may be provided by both supply authorities and Microgrid owners. Both would be able to participate equally in the ancillary service market. The most likely benefits are as follows:

- (1) As market prices for electric/heat energy and the ancillary services vary considerably with time, Microgrids can make maximum profit through (i) careful market prediction and (ii) sale of their energy and ancillary services after considerably cutting down their own consumption during the high-price periods.
- (2) If Microgrids are allowed to sell ancillary services in the open competitive market by unbundling these services from central power utility, it would expand the market supplies, which would then lead to reduced electricity prices and better economic efficiency.
- (3) Combined market participation of Microgrids and system operators as both suppliers and consumers would help to enhance fairness and facilitate better resource utilisation.
- (4) Providing real/reactive power support consumes a considerable amount of generating capacity of the utility generators. If Microgrids are encouraged to provide these services at distribution level, then the utility generators can be utilised to their full capacity for generating electricity only.

- (5) Smaller microsources will be able to respond more rapidly to control centre requests than large generators while providing the ancillary services. This would automatically help to overcome the communication and control delays.
- (6) An aggregate of facilities like small-building owners and operators can be more reliable suppliers of ancillary services than utility generators. This is because in that case each facility supplies a small fraction of the total system requirement for each service and the failure of any single resource is less significant.
- (7) Although the aggregated resources in Microgrids may have common-mode failures, it is much easier and cheaper to build in redundancy in Microgrids than in a big generating plant.
- (8) The price and profitability of each service is decided by the CC in a day-ahead market. In case of success, the service is supplied on the next day at the prefixed price and so on. The spinning reserve, being a critical service, is sold like insurance and the Microgrid is paid back for its service.

3.6.1.1 Reactive power and voltage control

Reactive power and voltage control are needed for regulating distribution voltage within specified limits. The supply of such services is likely to be opened in the competitive markets. Microgrids' market participation in reactive power and voltage control depends on their size and location. Though traditionally, capacitor banks and voltage regulators are used in regulating voltages of feeders, reactive power supply from capacitor banks drops as square of voltage. This may lead to voltage collapse. But, a Microgrid can perform smooth voltage regulation locally in response to controller settings. Supply of reactive power from microsources in response to local voltage signals is also more economic during distribution voltage sags. Moreover, local supply of real and reactive power from microsources significantly reduces feeder losses. For power utilities, reactive power and voltage control is generally accomplished at the cost of generating capacity. If Microgrids provide this service, it would help the utility generators to generate at their maximum capacities, thus enhancing overall generation.

3.6.1.2 Supply of reserves

Microgrids can sell three ancillary services, viz. (i) frequency responsive spinning reserve, (ii) supplemental reserve and (iii) backup supply in open competitive market. These services are aimed at restoring the real-time energy balance between generators and loads in case of any sudden contingency. Microgrids can effectively reduce loads or enhance generation by selling these ancillary services in the open market. Since these services have different response times and duration, they should be exploited only after developing proper communication and control systems.

- (1) *Frequency responsive spinning reserve* – Microsources can easily provide this reserve because of their faster response to system frequency deviation. They should be able to provide this service within 10 seconds and sustain this service for shorter periods until it is replaced by supplemental reserve (i.e. within

10 minutes). Frequency responsive and supplemental reserves can maintain the system's generation/load energy balance for up to a maximum period of 30 minutes. After that period the customer must take care of its loads through either their own backup or load shedding.

- (2) *Supplemental reserve* – Microgrids can provide this service by making their microsources respond at the system operator's request, within about 10 minutes of contingency. It can maintain the energy balance up to 30 minutes after the contingency until backup supply takes up the loads.
- (3) *Backup supply* – Microgrids can provide this supply according to some prior arrangement made by the system operator. The system operator should plan beforehand how to utilise this service for maintaining supply to priority and non-priority loads during primary supply failures with due consideration to priority loads. Sometimes it becomes advantageous for some Microgrid generators to provide backup supply for other loads. The 30-minute warning period is quite sufficient for communicating the need for backup supply to the service provider facility and for responding to the system needs. Market price signal should closely reflect the real-time cost of this service in order to encourage its suppliers to offer the service when needed. Real-time electricity prices are volatile and the costs change dynamically with energy balance between load and generation. Therefore, Microgrids can sell these reserves in open market and make substantial profit out of them particularly during high-price period.

3.6.1.3 Regulation and load following

Integrated Microgrids can efficiently provide the regulation and load-following ancillary services for accommodating temporary load variations.

- (1) *Regulation* – Generators are equipped with automatic generation controllers (AGC), which adjust generation to load minute by minute to maintain specified system frequency within the control area. This function is known as 'regulation'. This service can be provided efficiently by the microsources, which are connected to the grid and at the same time located close to the load pockets. This helps to avoid physical and economic transmission limitations in importing power.
- (2) *Load following* – Load following is the capability of on-line generation equipment to track customer load variations. The main differences between load following and regulation are as follows:
 - (i) Load following takes place over longer periods unlike minute-by-minute load tracking performed by regulation. Hence load following can be provided by many generators.
 - (ii) Load-following patterns of individual customers are highly correlated with each other unlike individual regulation patterns.
 - (iii) Load-following changes can easily be predicted because of weather dependence of the loads and more or less similar daily load patterns. Alternatively, the customers can also communicate to the control centre

regarding any impending change in their load usage pattern. Thus information regarding load-following changes can be effectively gathered by applying short-term forecasting techniques.

Due to the above-mentioned differences, regulation is more expensive a service than load following. Regulation involves higher investment in providing the generators with high speed and easy controllability.

3.6.1.4 Other ancillary services

Other ancillary services obtained from Microgrids are system black start and network stability, which are briefly discussed as follows:

- (1) *System black start* – Black start is defined as the capability of a power system to restart its generation after a total system collapse, without importing any external power. This restores at least a major portion of the power system to normal service without any external support. In case of necessity, system operators may have voice communications with trained operators to initiate black start. Stand-alone Microgrids can easily sell power for system black start. Black start units should be located where they are useful and also capable of restarting other generators.
- (2) *Network stability* – Microgrids can sell the ancillary service of network stability. Low-frequency oscillations take place in long-distance transmission systems and gradually die down by natural damping if it is not weakened by any loss of generation. If the oscillations are not damped naturally, cascade tripping of generators and hence overloading of transmission lines may occur. Microgrids are capable of sensing the low-frequency oscillations and providing adequate damping. This may be accomplished by making the microsource supply power at 180° out of phase from the oscillation. The damping effect would become more prominent if a large number of Microgrids are aggregated.

Dynamic modelling studies carried out by the Western Electricity Co-ordinating Council (WECC) in the USA indicate that large inertia of distributed energy resources (DERs) are sometimes beneficial and sometimes detrimental to transmission system reliability depending upon phase lags. Therefore, suitable controllers should be designed for DERs for eliminating the detrimental effects of DER inertia to enhance overall grid stability.

3.6.2 Distribution system issues of Microgrid

Microgrid is basically an aggregate of DERs. The positive impact of Microgrid on the distribution system is enormous due to its dynamic responses to a wide range of local needs. But utilities, network operators, regulators and other stakeholders are still hesitant to allow autonomous operation of DERs as power islands because of their major impacts on utility operation and protection. The area that is critically affected by DER penetration is protection co-ordination of the utility distribution system. Conventional overcurrent protection is designed for radial distribution

systems with unidirectional fault current flow. However, connection of DERs into distribution networks convert the singly fed radial networks into complicated ones with multiple sources. This changes the flow of fault currents from unidirectional to bidirectional. Further, the steady state and dynamic behaviour of the DERs also affect the transmission system operation. Various impacts of DG connection on existing utility network protection are listed as follows:

- (1) false tripping of feeders
- (2) nuisance tripping of protective devices
- (3) blinding of protection
- (4) increase or decrease of fault levels with connection and disconnection of DERs
- (5) unwanted islanding
- (6) prevention of automatic reclosing
- (7) out-of-synchronism reclosing

Technical recommendations like G83/1, G59/1, IEEE 1547, CEI 11-20 prescribe that DERs should be automatically disconnected from the medium voltage (MV) and low voltage (LV) utility distribution networks in case of tripping of the circuit breaker (CB) supplying the feeder connected to the DER. This is known as the anti-islanding feature. This is incorporated as a mandatory feature in the inverter interfaces for DERs available in the market. As the DERs are not under direct utility control, use of anti-islanding protection is justified by the operational requirements of the utilities. However, it drastically reduces the benefits of DERs and Microgrids in improving service reliability. Therefore, these issues must be critically assessed and resolved, and market participation of DERs and Microgrids should be allowed to exploit their full benefits.

3.7 Impact on communication standards and protocols

This section discusses the issues related to the development of standards, protocols and communication infrastructure for Microgrid components and controllers. It also discusses the functioning of communication gateway for providing connectivity between different devices and the challenges for developing cost-effective, reliable and standardised communication gateway for Microgrid applications.

3.7.1 Protocols, communication procedures and gateways

Well-structured and universally compatible communication procedures are required for co-ordinating Microgrid operation in stand-alone and grid-connected modes. The procedures should follow the bindings and obligations imposed by the independent system operator (ISO) and power supply authority. In general, computerised control systems need rigidly defined and structured procedures for communication but this might vary from application to application or from authority to authority. That is why the procedures used by ISOs, local generators and heat extraction equipments and local energy management systems are all so different

that they cannot provide any connectivity amongst their components. Therefore, a primary issue to be addressed while developing the CC scheme is providing a translation service for different communication methods. It should provide a common basis for communication for all systems.

The device that executes the translations is called a gateway. The main function of the gateway is to provide necessary connectivity amongst devices by message translating, formatting, routing and signalling functions. However, gateways might also introduce unwarranted time delays and other problems in the communication process during information exchange. Some problems are highlighted as follows:

- (1) Time delays might be introduced not only by the processing time required for translation, but also because connected networks might have different transmission speeds and different rules for gaining access to the media.
- (2) The gateways are designed to pass only a limited amount of specific data. They generally poll devices for this data and then store a local copy. When this data is requested, the gateway prepares its response based on the local copy and not the current data. It may result in supplying old and misleading data, especially for large and complicated systems.
- (3) Presence of gateways makes problem solving more difficult because different tools are then required to see and interpret the protocols on either side of the gateway. Moreover, any ambiguity introduced by faulty translation might make troubleshooting even harder. Limited data accessibility through the gateway might also hamper the troubleshooting process, as it may not be possible to access all the data needed to diagnose the problem.

3.7.2 Alternative communications

To avoid the problems posed by gateways, ISOs are imposing stringent technical requirements on the gateways used by generators. The California Independent System Operator (CAISO) has imposed different gateway requirements for different types of generation services. For example, the strictest requirements are for the Remote Intelligent Gateway (RIG) used for generators delivering regulation or ancillary services. Requirements are much simpler and lenient for the Data Processing Gateway (DPG) that is employed for generators delivering non-automated dispatch system (non-ADS) ancillary services only. ADS is a gateway for sending dispatch instructions to the market participants on a much slower, e.g. hourly, time frame. For the ADS, usually the ISO provides the software, security cards and card readers while the Microgrid owner provides his own computer and the operating software.

Normally, the cost for a gateway is proportional to the time frame of its operation. Faster gateways used in critical, real-time applications are much costlier than the simpler hourly type gateways. The simpler gateways are just software packages provided by the ISO to be run on a local PC. Technical requirements and the cost of gateways should therefore be duly considered for developing a CC scheme. The main challenges are that the standardised gateway must (i) be reliable and cost-effective, (ii) allow the Microgrid to provide the ancillary services on a faster time frame, (iii) meet the standards for a typical utility supervisory control

and data acquisition (SCADA) system, (iv) ensure connectivity between a wide range of equipments and (v) meet the needs of the utility or ISO and the Microgrid energy management system. An extensive protocol development initiative is deemed necessary in this regard to ensure that all functions, devices and concepts are included in the standardised gateway.

3.8 Conclusion

The utility distribution systems should take full advantage of the ancillary services provided by Microgrids. In futuristic distribution systems, the faster controls would be provided by local microsource controllers (MCs), whereas the slower ones for transmission and grid management would be provided by the ISO. The MCs would control the Microgrid voltage and frequency within limits specified by the ISO. They would also dispatch ancillary services like spinning reserve and black start as per the commands from the ISO.

The Microgrids would operate in response to their own energy, power quality and reliability needs and also to the market signals for reliability services. But they would be managed as per the market signals of price of electricity or gas. If the generation capacity of the Microgrids reaches about 5% of the net generation capacity of the area, then the conventional market crises can be efficiently taken care of by them owing to their fast response to market signals. In this way, Microgrids would maximise overall system efficiency with optimal use of fuels, minimum losses and minimum emissions.

Conventional distribution protection schemes are basically designed for high fault levels and unidirectional power flow from the source to loads. Unlike them, Microgrids would have (i) much lower fault levels due to small-capacity micro-sources and their power electronic interfaces and (ii) bidirectional power flows in the distribution feeders. Therefore, conventional overcurrent protection would not suit Microgrids and totally new school of thought in protection paradigm is needed.

Microgrids have the flexibility to undergo rapid changes in configuration by islanding, re-aligning, starting and stopping of generations. In this regard, the policy makers need to decide whether Microgrids would be allowed to change their system configuration to prevent complete blackout, maintain supply to critical loads and help in system restoration, or whether the entire distribution system should be allowed to collapse along preset lines.

In some cases, there may not be any economic alternative to the existing mode of operation of distribution lines because of high reconfiguration costs. But in order to exploit the benefits of DERs, it is desirable to redesign the distribution feeder protection scheme to accommodate stand-alone operation of DERs as power islands. Besides, Microgrids can sell backup supply to other customers on the feeder and benefit all parties including the power utility.

Although the current power scenario is still quite conservative in providing strong impetus to this new technology, the designers of distribution expansion are trying to realise the full capacity of the distributed generators and Microgrids. The

utilities may be pressed in this regard to come forward to encourage DER and Microgrid deployment from three probable directions, as follows:

- (1) As Microgrid owners and DER manufacturers are more comfortable with basic energy production, they would intend to expand their range of operations.
- (2) State regulators would press utilities to accept greater DER penetration.
- (3) ISOs would recognise that Microgrids and DERs can sell several ancillary services in the open market.

Hence, state regulatory bodies need to take initiatives for rapid implementation of the new technology for greater benefits to the distribution systems. The Microgrid and active distribution network management system are discussed in Chapter 4.

Chapter 4

Microgrid and active distribution network management system

4.1 Introduction

Microgrids require wide-range control to ensure system security, optimal operation, emission reduction and seamless transfer from one operating mode to the other without violating system constraints and regulatory requirements. This control is achieved through a central controller (CC) and the dedicated microsource controllers (MCs) connected to the microsources and the storage devices.

The functions of CC and MC and their co-ordination are detailed in Section 1.5. As the name indicates, MCs take care of the local control functions of the microsources. The CC executes the overall control of Microgrid operation and protection through the MCs. Its main function is to maintain power quality and reliability through power-frequency (P-f) control, voltage (Q-V) control and protection coordination. It also executes economic generation scheduling of the microsources and helps to maintain power intake from the main utility grid at mutually agreed contract points. Thus, the CC not only co-ordinates the protection scheme for the entire Microgrid, but also provides the power dispatch and voltage set points for all the MCs to meet the needs of the customers. Thus, the CC ensures energy optimisation for the Microgrid and maintains the specified frequency and voltage profile for the electrical loads. This controller is designed to operate in automatic mode with provision for manual intervention as and when required. It continuously monitors the operation of the MCs through two significant modules, viz. the Energy Manager Module (EMM) and the Protection Co-ordination Module (PCM). The functions of EMM and PCM are explained in Section 1.5. Network management issues of Microgrids and active distribution networks are discussed in this chapter while the protection issues are detailed in Chapter 5.

4.2 Network management needs of Microgrid

Network management needs of a Microgrid are met mainly by EMM with support from PCM and individual MCs. EMM performs microsource generation control, domestic process control (like heat ventilation air conditioning (HVAC)), water heating and chilling optimisation, and energy storage control, maintaining power

quality and industrial processes and providing local ancillary services. Microgrids significantly benefit power utilities by peak shaving and providing several ancillary services. However, at the preliminary stage, an EMM should start executing only the basic controls. It can opt for finer and more complicated ones gradually with intelligent electronic devices (IED) and Ethernet communication protocols.

Network management through EMM should focus on the areas discussed in Sections 4.2.1–4.2.5.

4.2.1 Microsource generation control

Microsources use different renewable and low-carbon technologies to generate electricity. Renewable microsources have minimal fuel cost but need to generate at maximum capacity whenever fuel is available. Microsources running on natural gas, hydrogen, etc., should be run when their operation becomes most economic. Combined heat and power (CHP) microsources also generate heat along with electricity. Therefore, for them heat load must also be balanced. Thus, selection of operating period and operating power level of microsources is quite complicated and depends upon cost of fuel, cost of deferral of electric power and heat, and impact of emissions and deferred emissions. Most important goal of microsource generation control is to ensure maximum possible energy saving.

Generation control of CHP microsources must prioritise heat or electric energy because the demands for these loads might not coincide all the time. Sometimes microsources provide ancillary services like voltage regulation, spinning reserve, peak shaving and riding through grid voltage sags. These services bring sufficient economic benefits, and are good enough to override the revenue generated from customers. However, the market structure has a significant role to play in assessing and addressing the competing demands such that it encourages the bidders to participate in the competition. The microsource owners would then execute generation control not only for their own needs but also for exploiting the market opportunities.

4.2.2 Domestic process control

Domestic process control system monitors and controls the heating and air-conditioning equipment of a building, viz. central heating systems, refrigerators, fans, dampers and pumps. These equipment might be supplied from CHP microsources of a Microgrid. The heat loads for a building include hot water supply systems, dryer systems, space heaters, etc. Microsources must optimise their heat generation for these services with due consideration to other demands like providing ancillary services and reducing emissions and fuel cost. Several variables must be optimised for HVAC system to ensure maximum energy efficiency, the set points being dependent on weather parameters and cost of fuel, building architecture and occupancy level. Joint optimisation of heat and electricity production will be performed by the EMM without hampering the operation of the dedicated controllers for chillers, boilers, heat pumps, heat exchangers, dampers, blowers, etc.

Heat generation by conventional boilers and furnaces is more economic during the availability of natural gas at low cost whereas it is more economic to run the

CHP sets at their maximum capacity during peak load hours when electricity cost is high. Thus, EMM should collect real-time data from both electricity and gas markets for fuel price comparison as well as data for short-term weather forecast and accordingly plan the operating schedule for all heat producers (including CHP microsource itself) to achieve process optimisation and system reliability. For achieving correct sequence of operation, the EMM must monitor current system status to send proper command signals to all the equipment.

Ideally, the EMM of a Microgrid should address the following control needs with help from the MCs:

- (1) Determination of correct schedule of heat recovery from the sources and their control.
- (2) Proper utilisation of waste heat by routing the exhaust and water to the heat exchanger.
- (3) Monitoring the exhaust gas inlet temperature to the heat exchanger so that the recovery system might be bypassed if the temperature is too low or too high. Adjustable set points might be used for this purpose.
- (4) Monitoring the water temperature at the heat exchanger outlet to guard against overheating and also to provide a signal for the variable water flow control.

4.2.3 Energy storage

To ensure uninterrupted supply to priority loads, EMM needs to control the operation of energy storage devices like battery, flywheels and ultracapacitors. In fact, successful operation of the Microgrid is mostly dependent on proper operation and control of the storage devices during contingencies and disturbances. However, these devices are only used for compensating voltage sags in local buses or as backup power source during actual power outages and not to compensate for hourly energy prices or to level out peak loads. As some microsources have low inertia or ride-through capability, these storage devices also help in supplementing the microsources during low voltage transients on the distribution system, motor starts or other short-term overloads, especially for stand-alone operation.

As most storage devices produce DC voltage, they should be connected to the inverters of the microsources for DC/AC conversion. On the contrary, flywheel generators directly produce AC and hence might directly feed the Microgrid bus. Since storage devices must respond rapidly, they should deploy their own local controllers instead of depending upon EMM commands. Some storage devices like capacitors might store power at high density but are restricted to short-term discharges, whereas some like flywheels suffer from low power density but are capable of discharge for a longer time. Hence, these can be coupled with reciprocating engines for providing energy for extended periods.

4.2.4 Regulation and load shifting

Unlike conventional power utilities, the load profile for Microgrid contains short-term peaks due to the nature of use of these loads. This happens because domestic loads like water heater, oven and heat pump are often run at the same time. This

peak becomes more pronounced for commercial customers like hotels and restaurants with more bound load usage. However, when several such customers with different peaks at different times are aggregated together and supplied from a Microgrid, the load profile flattens out to some extent as the peaks average out. The load profiles smoothen out even more for larger aggregation of loads as in energy parks or college/university campus, office complex or housing estates. For Microgrid, it is seen in general that smaller the load aggregate, the larger will be the peak of its load profile and hence more backup energy storage will be necessary particularly during its autonomous operation in a stand-alone system. In that case, the charging of the energy storage devices may be effectively utilised as additional loading in order to average out the total loads such that overall load profile becomes flatter.

One important function of the EMM would be smoothing out the electrical load profile by proper scheduling of loads including the charging of energy storage devices and shifting individual load peaks. The EMM can implement this by starting some loads (whose start time may be somewhat discretionary) at specific times and some that would help to flatten the peaks. The EMM can also plan to charge the thermal energy storage (TES) systems with low-cost fuels to flatten the load profile at peak load hours.

Regulation is defined as adjusting generation to match the load demands on a moment-to-moment basis. For attaining short-term (e.g. second-by-second) regulation, Microgrid must have more peak generation capacity than that needed for long-term (e.g. minute-by-minute) regulation. During stand-alone operation, Microgrid has to meet loads on the basis of short-term regulation only due to non-availability of backup generation. In that case, EMM needs to go for shedding non-priority loads and maintain supply to priority loads with necessary energy storage support. Otherwise the Microgrid may suffer from severe voltage dips leading to system collapse.

It is seen that the load profiles for larger utilities are smoother than that for Microgrids. Hence, for fast load tracking, microsource generation must be backed up by energy storage devices with very fast power electronic controls. Besides, the EMM must also perform proper load co-ordination by applying peak load shifting at least for the larger load pockets. Moreover, EMM should implement functions for correct prediction of the larger loads and for assessing their influence on the system. Besides, it should also be fully aware of existing market forces needed for optimal operation of the Microgrid.

4.2.5 *Ancillary services*

There are some controversies over the services that might be provided by Microgrid. One view is that Microgrid would behave as a unit of controlled load with necessary controls on power demands and power factors. The other view is that Microgrid should also sell power to the main utility grid during peak load period through power market. In totality, apart from behaving as a controlled load, a Microgrid could provide, with appropriate payment, several valuable ancillary services to the main utility grid and hence to the end-users as discussed in Section 3.6.1.

Technically, it is more convenient for the utility to view Microgrid as a controllable load only because the Microgrid is designed to supply power to loads facilitating

bidirectional power flow. However, the significance of Microgrid is that it can provide valuable ancillary services to the utility for maintaining power quality, particularly during system stress. For example, the load controllability of Microgrid leads to excellent control of the customer voltage profile. Its power factor control also, in effect, results in voltage control. Thus, the deployment of capacitors for reactive power control at customer end can be avoided if power is supplied through Microgrid. Most ancillary services deal with real-time energy balance between microsources and loads, whereas black start ancillary service is especially meant for the Microgrid itself for sustaining its major loads without any exchange of power with main utility grid.

A major challenge faced by the Microgrids in providing these services is the speed of communication system. In the deregulated environment, open competitive markets are being encouraged for selling both energy and ancillary services after unbundling from transmission. This would definitely enhance economic efficiency by lowering electricity prices. Microgrids might participate in open market as both suppliers, and customers of electricity services, leading to overall improvement in resource utilisation. It would add significant benefit to the main power utility whereby the central generators would be able to generate electricity freely without having to provide the ancillary services.

4.3 Microsource controller

The microsources and storage devices in a Microgrid are fitted with MCs that execute smooth and flexible operation of these devices to meet customer and utility requirements. MCs may operate with or without any intervention of the CC. MC functioning depends greatly on the power electronic interfaces provided in the microsources and storage devices. MCs ensure (i) new microsources can be added to the system without modification in the existing Microgrid configuration, (ii) Microgrid can connect/disconnect itself to/from the utility in a rapid and seamless fashion, (iii) active and reactive power can be independently controlled, (iv) voltage sag and system imbalances can be corrected, (v) faults can be handled without the loss of stability and (vi) Microgrid can meet the requirements of load dynamics of the power utility. The key features of an MC design are as follows:

- (1) There is no scope for interaction among the microsources without the intervention from CC. This enables each MC to respond effectively to the system changes without requiring data from any other MC or data source.
- (2) Though the MC is designed to communicate with the CC and acts as per its directives, it would be able to override those CC directives that are deemed unacceptable for its microsource.

4.3.1 Control functions for microsource controller

The built-in control features of the MCs are as follows:

- (1) Active and reactive power control
- (2) Voltage control

- (3) Storage requirement for fast load tracking
- (4) Load sharing through P-f control.

They should ensure that the microsources rapidly pick up their share of load when the Microgrid disconnects itself from the utility. MCs should also enable the seamless transition of the Microgrid from grid-connected to stand-alone mode and vice versa with minimum disturbance to both the systems.

4.3.1.1 Active and reactive power control

The microsources may be (i) DC sources like solar PV, fuel cells and storage battery or (ii) AC sources like microturbines and wind turbines. For the first category, DC power is directly converted into P-f (50/60 Hz) AC while for the second one, the AC output at non-standard frequencies is first rectified to DC and then reconverted into power frequency AC through converters. In both the cases, DC/AC conversion takes place through a voltage source inverter that forms the principal component of the power electronic converter.

Figure 4.1 shows the basic scheme for a typical MC consisting of the microsource and the power electronic converter. The voltage source inverter in the converter system controls both magnitude (V) and phase angle (δ_1) of the output voltage ($V\angle\delta_1$) at converter terminal (Bus-1). The microsource supplies controlled power to the Microgrid bus (Bus-2) at a voltage of $E\angle\delta_2$ through an inductor of reactance X . Normally, $V\angle\delta_1$ leads $E\angle\delta_2$ by the power angle δ , where $\delta = \delta_1 - \delta_2$. The active power flow (P) is controlled by controlling δ , whereas reactive power (Q) is controlled by controlling V . The controls are based on feedback loops of output power P and Microgrid bus voltage magnitude E , which are related as per the following equation:

$$P = \frac{3VE}{2X} \sin \delta \quad (4.1)$$

$$Q = \frac{3VE}{2X} (V - E \cos \delta) \quad (4.2)$$

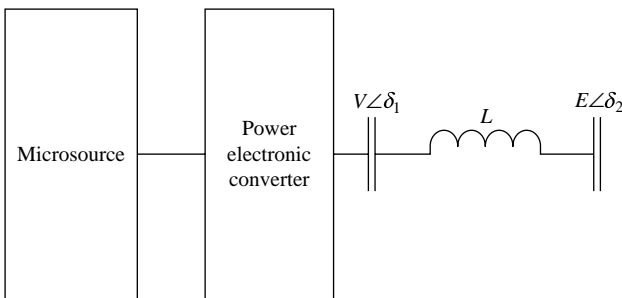


Figure 4.1 Basic scheme for typical MC

4.3.1.2 Voltage control

Apart from active and reactive power control, voltage control at the Microgrid bus is also needed for overall stability and reliability of Microgrids. Microgrids with a large number of microsources may suffer from reactive power oscillations without proper voltage control. Similar to that for large synchronous generators, voltage control function of MC addresses the issue of alleviating large circulating reactive currents amongst microsources. For utility, this circulating current is normally restricted by the large impedance between generators, whereas in case of Microgrids, the problem becomes quite prominent as the feeders are mostly radial with small impedance between the sources. Sometimes, these circulating currents may also exceed the rated currents of the microsources even with small differences in their voltage set points. The circulating currents can be controlled by using voltage–reactive power (V - Q) droop controllers with droop characteristics as shown in Figure 4.2.

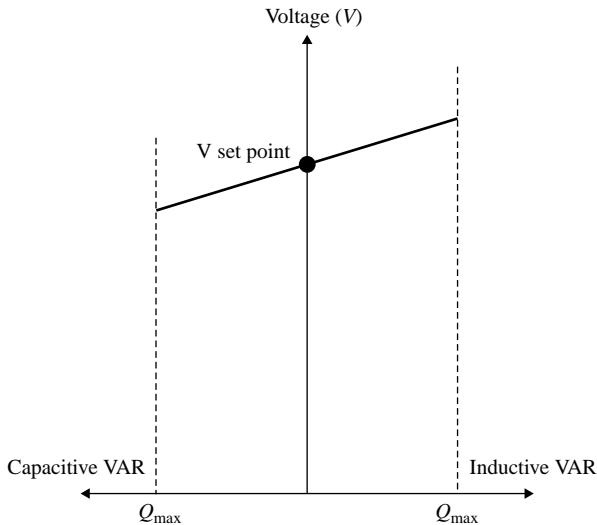


Figure 4.2 Droop characteristics for V - Q droop controllers

The function of the controller is to increase the local voltage set point when the microsource reactive currents become predominantly inductive and to decrease the set point when the current becomes capacitive. The reactive power limits is set by VA rating (VAR; S) of the inverter and active power (P) output of the microsource as per the following relation:

$$Q_{\max} = \sqrt{(S^2 - P^2)} \tag{4.3}$$

4.3.1.3 Storage requirement for fast load tracking

For grid-connected Microgrids, the initial power balance during connection of new loads is taken care of by the large inertia of utility generators. However, for stand-alone operation, the Microgrid needs to ensure initial power balance through its storage devices, which effectively provide the system inertia for the Microgrid. The DC storage devices are connected to the DC bus of the microsource, whereas AC storage devices are connected directly to the Microgrid bus. The MC ensures proper utilisation of the storage devices for fast load tracking.

4.3.1.4 Load sharing through P-f control

Microgrid controllers ensure smooth and automatic change over from grid-connected mode to stand-alone mode and vice versa as per necessity. This is similar to the operation of uninterrupted power supply (UPS) systems. During transition to stand-alone mode, the MC of each microsource exerts local P-f control to change the operating point so as to achieve local power balance at the new loading. The controller does this autonomously after proper load tracking without waiting for any command from the CC or neighbouring MCs. Figure 4.3 shows the drooping P-f characteristic used by the MCs for P-f control.

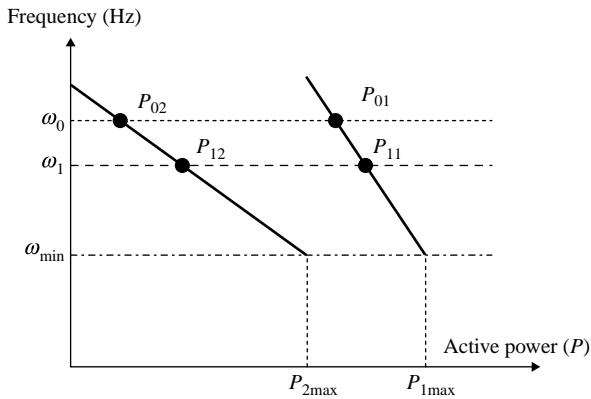


Figure 4.3 Active power versus frequency droop characteristics

During grid-connected mode, Microgrid loads are supplied both from the main utility grid and the microsourses, depending on customer needs. When utility supply is interrupted due to any contingency, the Microgrid seamlessly switches over to the stand-alone mode. During change over, the voltage phase angles of the microsourses also change, leading to obvious drop in their power output. Hence, local frequency also changes, in which case each microsource quickly picks up its share of load without any new power dispatch schedule from the CC. For example, it is assumed that two microsourses operate at a common minimum frequency with

their maximum capacities $P_{1\max}$ and $P_{2\max}$. In grid-connected mode they operate at a base frequency delivering powers P_{01} and P_{02} respectively. With the change in load demand, the microsources operate at different frequencies causing a change in relative power angles, and the frequency of operation drifts to a lower common value with different proportions of load sharing. This occurs as per the droops of the P-f characteristics as shown in Figure 4.3. Since droop regulation decreases the Microgrid frequency, the MC needs to incorporate a control function to restore the operation to the rated frequency with proper load sharing.

4.4 Central controller

The CC exerts its control through two basic modules, viz. (i) EMM and (ii) PCM.

4.4.1 Energy manager module (EMM)

The EMM incorporates various control functions for controlling the energy optimal operation of the Microgrid. This section discusses a simple EMM that incorporates the basic priority control functions needed for satisfactory functioning of the Microgrid. The number of control functions can always be increased to achieve finer and more sophisticated control, though adding to design complexity.

4.4.1.1 Basic microsource control functions

A simplified EMM provides only the active power and voltage set points for the MCs, while the basic microsource control is executed through the MCs only. Active power dispatch set point is dependent on financial estimation of fuel cost, electric power cost, weather parameters and the anticipated process operation requirements. Voltage set point is kept within a preset band to ensure proper voltage regulation in the Microgrid.

Voltage control

Microgrid loads and their power factors are normally controlled by changing the voltage magnitude and phase angle of the microsources. To avoid extra complexity in EMM control scheme, local voltage and power factor controls of microsources are executed through the MCs and not through the EMM. EMM only provides the voltage set point to the MCs for certain critical buses of the Microgrid. When distribution feeders are not fully loaded in a Microgrid there may be a tendency of voltage rise on the feeders. To arrest the voltage rise, the MCs constantly monitor the local voltage and provide the feedback to EMM. Following this the EMM dispatches the necessary voltage set points to the MCs to carry out the required voltage regulation. The aim of this control strategy is to make the Microgrid appear to the main utility grid as an aggregate of microsources and loads operating as a controlled unit at unity power factor.

Power factor control

Unlike conventional synchronous generators, microsources usually do not have any built-in power factor control. Power factor being load dependent, all the MCs have power factor control feature as a function of load tracking. However, the power electronic interface of some microsources may have built-in power factor control for controlling the phase angle of supplied current and minimising harmonic distortions. Power factor control feature is entirely incorporated in the MCs so that the control does not require any command from the EMM except the voltage set point.

Prime mover speed control

This feature is applicable for microsources with rotating prime movers such as microturbines and wind turbines. To accommodate load variation in the Microgrid within its capacity, the microsource prime mover must change its speed to obtain power balance for the new loading. For this, a constant speed prime mover should change its fuel input. This would again affect the efficiency of the prime mover as efficiency is a function of fuel usage and speed. Therefore, prime mover speed control should ensure power generation at optimum efficiency for the microsource. To keep EMM design simple, this control is also executed through the MCs.

Frequency regulation

In conventional power systems, the frequency of the generated voltage depends on the speed of the synchronous generators. On the other hand, for Microgrids, the microsources can generate power at any desired frequency with the help of the power electronic converter systems of their MCs. In grid-connected mode, the MCs do not need to exert P-f control through their P-f droop characteristics because frequency variation is taken care of by the utility itself. However, in stand-alone mode, the MCs need to exert this control for accommodating load variations at constant system frequency. Hence, for both the operating modes, the EMM does not interfere with the frequency control feature of the MCs. However, the EMM constantly monitors the Microgrid frequency and if any frequency drop is not restored by the MCs within a preset time, the EMM performs rapid load shedding on an emergency basis to achieve power balance in order to ensure Microgrid stability.

4.4.1.2 EMM operation in a typical Microgrid

In order to keep the Microgrid control simple, the number of control functions in the EMM is limited to only the basic minimum. This minimises the number of feedback signals required by EMM from MCs for sending out necessary commands to the microsources. The operating strategy for EMM is briefly discussed in the following two sections.

Grid-connected operation

In grid-connected mode, EMM control signals are restricted to the active power and local voltage set points for microsources. The local voltage and power factor control exerted by the MCs make the Microgrid appear to the utility grid as a controllable load operating at unity power factor. Thus, the EMM does not exert any

additional voltage control that may interfere with the functioning of voltage regulators and shunt capacitors of the utility or with the MCs in the Microgrid itself. If the distribution feeder in Microgrid gets lightly loaded and there is some voltage rise, it is arrested by utility controllers. However, the EMM dictates the voltage control of microsources only for certain critical Microgrid buses.

Stand-alone operation

In stand-alone mode also, the main function of the EMM is to provide the active power and voltage set points for MCs. Frequency and reactive power flow are controlled by the MCs autonomously through P-f and Q-V droop characteristics. The EMM does not communicate any command signal for control of phase angle and frequency to the MCs. But it continuously monitors the Microgrid frequency and implements rapid load shedding through MCs in case the frequency is not restored within a preset time for ensuring system stability. For stand-alone operation, these control functions respond rapidly to obtain load-generation balance as fast as possible. This is because, in terms of generation capacity, the isolated Microgrid is not as stable as the grid-connected Microgrid.

4.4.1.3 Control of heat loads

For CHP microsources, heat loads get higher priority over electrical loads. Therefore, the control strategy of electrical power output of the CHP sources is mainly determined by the heat load requirement of the customers. In order to manage this priority need, the EMM incorporates a priority-setting parameter for heat loads in dispatching signals to the MCs. However, for some industrial cogeneration systems, electric power output is often of more value than heat. Hence, in practice, the EMM must set the priority factor as per the relative importance of electrical and heat loads.

4.4.1.4 Energy optimisation with maximum efficiency

When Microgrids need to supply a large power pool, they must be interconnected. In that case, the EMMs of neighbouring Microgrids should incorporate a control for achieving a basic energy optimisation for the entire interconnected system. In order to attain the best efficiency points for the microsources, the EMMs should ensure running optimum number of microsources (specially the microturbines) at their near-rated capacities during light load conditions, instead of running all of them at fractional capacities. This control is best performed by EMMs because of their prior knowledge of process condition, weather parameters, microsource generation schedule and fuel information like cost, availability and pattern of consumption.

4.4.1.5 Energy storage management

For interconnected Microgrids, the EMMs control the non-priority loads by shedding them as and when necessary. Thus, they use these loads indirectly as a potential source of long-term power reserve within the Microgrid. The storage devices supply only the short-term (normally less than a minute) power requirements, especially for maintaining UPS to the priority loads during contingencies. For long-term needs (about 10s of minutes), the power reserve is extracted by shedding the non-priority loads without any detrimental effect on the Microgrid.

4.4.1.6 Optional control functions for intelligent EMM

More sophisticated and intelligent EMMs can be designed in future by incorporating a large number of control functions like industrial process control and intelligent control of the microsources depending on the type of DER. Intelligent EMMs should have extensive information handling capacity, intelligent power electronic interfaces and sufficient communication networks to communicate with the neighbouring equipment. These EMMs should also incorporate control algorithms based on artificial intelligence (AI) techniques. Moreover, they should have remote monitoring and control facilities. Through these they will collect field data over wireless (RF) networks or Ethernet links from several control/monitoring devices via transducers. In future, features like the Internet and GIS compatibility may also be included in the EMMs.

The EMMs must have data/event logging features to allow authorised operators to obtain necessary information about parameters or operating conditions. The EMMs should also provide manual intervention features. The operators should be allowed to program the basic operation and set points for various processes and to enter their own algorithms and models as per customer needs by overriding automatic control functions.

Sophisticated EMMs should be capable of managing information, providing operation guidelines and set points to the system operator and making decisions autonomously to improve overall system performance. Their operation should aim at maximising availability, maintaining high quality service and minimising downtime. They must also monitor equipment degradation and diagnose process problems. With supervisory control and data acquisition (SCADA) systems, they can also supervise and control industrial processes along with Microgrid generation and storage.

Additionally, intelligent EMMs may be used for (i) providing an overview of the process control systems, (ii) focusing on energy consumption and (iii) analysing energy saving opportunities depending on the time of day, process conditions and weather conditions. They may also be employed to monitor the power consumption for electrical loads in a premise and use this data for assessing thermal equipment efficiencies under full and part loads. From economics point of view, they may even be used to automatically optimise the utilisation of microsources and storage by using real-time market price signal for electricity and fuel.

4.4.2 Protection co-ordination module (PCM)

PCM supervises the overall protection for the Microgrid. Protection philosophy for Microgrid is different from conventional distribution networks though both are radial systems. This is because of the following differences:

- (1) Microgrids contain both generators and loads resulting in bidirectional power flow through the protective devices in a radial system.
- (2) Passive distribution network turns into an active one due to the presence of microsources.

- (3) Microgrids undergo a considerable change in its short-circuit capacity when it changes from grid-connected mode to stand-alone mode. This has profound effect on conventional overcurrent relays that operate on short-circuit current sensing.

A key feature of PCM is its ability to distinguish between the protection requirements for the two operating modes and address the contingencies accordingly. Basic protection requirements for the two modes are briefly discussed in the next section with respect to some possible occurrences. Typical Microgrid configuration as shown in Figure 1.1 is considered. However, additional protection features may be incorporated in PCM, depending on the customer-specific requirements.

4.4.2.1 Protection scheme for grid-connected mode

In grid-connected mode, the PCM detects and acts for five possible events. These are (i) normal condition, (ii) Microgrid feeder fault, (iii) utility fault, (iv) Microgrid bus fault and (v) re-synchronisation. PCM takes into account the response times of individual microsources, as well as that of the PCC (point of common coupling) circuit breaker CB4.

(i) Normal condition

Under normal condition the Microgrid remains connected to the utility through the PCC circuit breaker CB4. Breakers CB1, CB2 and CB3 connect feeders A, B and C respectively to the Microgrid bus. All the breakers remain closed during normal grid-connected operation. The loads are jointly fed by the microsources and the utility.

(ii) Microgrid feeder fault

In passive radial distribution networks, fault power flow occurs in one direction only, from source to the fault point. So feeder faults are simply cleared by opening the feeder breaker. Fault sensing is done based on fault current magnitude only and not its direction. But as Microgrid feeders contain generators, bi-directional power flow occurs into a feeder fault from all microsources on either side of the fault point. If such fault is not cleared in time, all the microsources may be disconnected from that feeder by their own MCs leading to an extensive loss of generation. To avoid this, feeders A and C are sectionalised into zones by sectionalising breakers. The breakers contain directional overcurrent relays to detect the faulty zone and clear the fault. If the faulty zone contains any microsource, then it is disconnected from that zone by its own MC but continues to supply its local loads connected to the microsource bus. For this operation, the PCM grades the relay settings for all the relays such that the faulty zone is isolated before all the microsources are disconnected from the feeder or before the entire Microgrid gets disconnected from the utility. This strategy ensures minimum loss of generation and Microgrid stability. However, for faults in Feeders A or C, if all the microsources connected to the feeder are located on one side of the

fault, then all will be disconnected by their MCs and the faulty feeder will be disconnected from the Microgrid bus by opening its circuit breaker. If fault occurs in Feeder B, then it can be simply disconnected by opening breaker CB2, since Feeder B does not have any microsource.

(iii) Utility fault

For any utility fault, the Microgrid disconnects itself from the utility grid by opening CB4. The protection strategy for this case is quite simple. CB4 relay monitors the current magnitude and direction on each phase and sends a trip signal to CB4 if current limits are exceeded within a preset time. Relay setting is provided by the PCM to ensure that the isolation is accomplished without any significant interruption to priority loads. This scheme also ensures that the microsourses are not spuriously tripped before the Microgrid separates itself from the utility. Otherwise, this may cause unnecessary loss of generation and reduction in service life of breakers.

(iv) Microgrid bus fault

If fault occurs on the Microgrid bus, then the Microgrid is disconnected from the utility by opening CB4. Also the Feeders A and C are disconnected from the bus by opening CB1 and CB3 respectively. In case of any fault within the Microgrid, the PCM grades the CB4 relay to co-ordinate with the ‘upstream’ protection in the utility. CB4 relay is also graded with respect to the protective devices for the microsourses to minimise loss of generation, supply interruption and spurious tripping.

(v) Re-synchronisation

When normal service is restored in the utility, then the PCM’s responsibility is to synchronise and reconnect the Microgrid to the utility through synchronism check schemes. This is accomplished as soon as the grid stabilises and goes back to the normal operating state after picking up all previously disconnected loads. However, this may require several seconds to minutes, depending upon the nature of the feeder and loads. The PCM includes a control scheme to bring all microsourses into synchronisation with the utility by measuring the phase voltage magnitudes and phase angles, frequency and phase sequence on both sides of the breaker CB4. The PCM provides both the options for automatic and manual re-synchronisation as per necessity.

4.4.2.2 Protection scheme for stand-alone mode

When the Microgrid operates in stand-alone mode, the short-circuit level at the Microgrid bus reduces remarkably. This is because the microsourses with power electronic converter systems may only supply up to 200% of the load current to a fault. Thus, a stand-alone Microgrid provides much lower fault currents, as compared to a grid-connected Microgrid. Low fault currents may not be adequately picked up by standard overcurrent relays used in conventional protection systems. Therefore, this is likely to have significant impact on the fault detection capability of the protective relays of the Microgrid based on fault current sensing. Standard relays may take a long time to pick up lower fault currents or may not respond at all.

Thus, alternate fault detection schemes like impedance protection, differential current/voltage relaying, zero sequence current/voltage relaying, directional overcurrent/earth-fault schemes may be adopted for protection of stand-alone Microgrids. Basic operation philosophy for the PCM is briefly described in the following text with respect to the possible events.

(1) Normal operation

Under normal operation, the Microgrid operates autonomously. PCC breaker CB4 is open. Feeders A, B and C remain connected to the Microgrid bus and their loads are fed from the microsources.

(2) Microgrid feeder fault

The feeder protection for stand-alone Microgrid is similar to that for grid-connected Microgrid. The only difference is that the relays should be more sensitive to detect lower fault currents. The main objectives of protection are minimum loss of generation and supply interruption.

The design and operation of PCM must take into account the complexity of the Microgrid scheme, the number of microsources, the types of generation technologies, the number of priority loads and the response characteristics of the protective devices.

4.4.3 Information needed for central controller operation

Microgrid operation is dependent on a set information, viz. tariff and regulatory details, microsource performance and diagnostics, weather and load forecasts and heterogeneous nature of service. Some data can be easily captured economically whereas some are quite expensive to capture. In order to optimise the cost of data capturing, the information must be graded according to the relative importance of data in Microgrid control. Due consideration should also be given to the feasibility, procurement and costs of acquisition and processing of the data and the possibility of acquiring alternative data through estimation techniques. Some data important for CC functioning are discussed in Sections 4.4.3.1–4.4.3.5 with regard to their usefulness and cost effectiveness.

4.4.3.1 Tariff, price and regulatory information

For minimising total energy cost for Microgrid operation, cost of energy from utility and from microsources must be compared. The comparison data would be helpful in designing and implementing a suitable energy optimisation strategy through CC. Information on costs of electricity from utility, natural gas, propane, heating oil and biofuels is necessary for CC operation. Electricity purchase from utility is subject to different tariff structures; e.g. traditional static utility tariff with or without (i) energy usage time and (ii) demand charges, and dynamic utility tariff as per real-time pricing or day-ahead market or energy imbalance market as practised by ISO. Microgrids may economically benefit from the appropriate use of interruptible tariffs, emergency demand response incentives or other schemes that would lower their demand firmness. This would however make the economic dispatch strategy for microsources more complicated due to the unavailability of some

incremental energy cost until the end of the demand charge period (which may vary from one to three months). Interruptible tariffs would also cause supply uncertainty. Therefore, it may be necessary to go for market price prediction with complex control algorithms. In that case, CC operations should be restricted only to existing regulatory constraints of emissions and system efficiency.

4.4.3.2 Microsource performance and monitoring

A microsource has a specified range of operation and a specific performance index at each operation level. Performance also depends on several external factors like weather parameters, age of microsource, depreciation characteristics and maintenance schedule. Dynamic characteristics of microsourses are of great importance to Microgrid operation and control since load variation needs to be accommodated. To avail demand response incentives, microsourses are subjected to heavy starting current transients that again incur extra costs due to equipment maintenance and derating. Adequate data may be gathered from manufacturers' specifications, but on-site performance monitoring and evaluation should also be used for refining the available information. Microgrids containing diesel generators face operation restrictions due to on-site storage limits and emission constraints. These microsourses may be exploited as backup power supplies during utility outages.

4.4.3.3 Weather forecasts

Weather conditions and seasonal variation significantly affect the performance of renewable microsource equipment and energy demand (e.g. heat demand for domestic heating is much more in winter than in summer). On the contrary, microsource emissions also have considerable effect on local environment and climate changes. Therefore, Microgrid control system should continuously monitor the weather condition collecting data either from forecasts and historical weather patterns or from local weather stations. Long-term weather pattern may be readily available from statistical data, but short-term data must be collected from either local weather station or regional weather service station data website.

4.4.3.4 Load forecasts

The EMM must know the energy load types, usage pattern and requirements in order to control the energy generation of the microsourses. The EMM should also know the historical load pattern of the area for planning a control strategy for the Microgrid. Electrical loads must be met instantaneously with energy balance, whereas heat loads provide some flexibility and time. Unlike electrical loads, heat loads need not maintain accurate energy balance at any instant because the mass being heated or cooled provides sufficient thermal lag leading to gradual temperature change even after heating/cooling energy delivery stops. The operation flexibility for heat loads can be further enhanced by using additional thermal storage. EMM should use suitable heat load models and indoor thermal constraints for determining the degree of flexibility and the allowable span of heat load dispatch.

4.4.3.5 Heterogeneous service

Microgrid CC should be designed and operated so as to ensure service reliability to a heterogeneous combination of loads with different priority factors. For this purpose, the loads should be classified according to their priority parameters that again depend on the nature of demand. The load demands for Microgrid can be classified as (i) critical demand, (ii) curtailable demand and (iii) reschedulable demand that are discussed in the following sections. With this classification, the EMM would be able to control supply and demand in a much better way.

For simple and economic demand management, Microgrids need to supply the peaky loads at higher rates along with demand charges incorporating time of use (TOU) rates, real-time price (RTP) spikes etc. Emergency demand response incentives should be provided to the emergency loads to attain market acceptability.

Microgrids may also minimise energy supply costs for non-peaky loads without relying upon pricing decisions made by utility. This would help them to compete with power utilities in the current electricity market. Loads with comparatively flatter demands would reduce the overall peak demand and hence on-site generation capacity of the microsources. Moreover, CHP-driven cooling can become a significant source of bill savings because such loads can be rescheduled in time, leading to effective reduction of loads at expensive peak times. In case of co-generation, efficient energy utilisation and balance can be achieved by rescheduling the processes that would require heat generation at times when the microsource will be generating electrical power and waste heat at the same time.

(i) Critical demand

The loads demand that must be supplied without any interruption irrespective of prices and system situations is classified as critical demand. Critical or priority loads need to be supplied at any cost even by shedding non-priority loads, if necessary. Supply to priority loads may be guaranteed by installing UPS systems at customers' premises. If the EMM does not have any control mechanism for supplying these loads, Microgrid would consider all its loads to be of the highest priority. Normally critical demand includes the PQ-sensitive loads for sophisticated computerised industrial processes and hospitals.

(ii) Curtailable demand

Non-critical load demand can be curtailed without affecting customer benefits. These loads are flexible enough to be lowered as per necessity for reducing higher electricity bills. For example, air conditioner loads can be set to higher indoor temperature set points and the customer pays less for electricity by sacrificing occupant comfort to some extent. Degree of load curtailment is assessed as per maximum load demand, extent, period and cost of load curtailment, time span allowed before initiating load curtailment, stiffness of load curtailment rate and maximum allowable frequency of load curtailments. However, evaluation of exact financial benefit would add to the complexities in EMM design. However, cost reduction by load curtailment during periods of high electricity price or microsource outages is significant for energy management of Microgrids.

(iii) Reschedulable demand

The load demand that permits staggered rescheduling is known as reschedulable demand. Load rescheduling helps to flatten the demand curve by replacing one single high-power peak with several moderate-power peaks. This is done by shifting energy-intensive activities to off-peak periods.

Through load rescheduling, Microgrids can alleviate microsource overloading and avoid higher demand charges. When the EMM is scheduling the future rather than real-time loads, then the loads must be rescheduled backwards in time. For example, the load of an air-conditioned building may be rescheduled for pre-cooling in off-peak period rather than waiting until cooling demand starts at energy-intensive period. Extent of rescheduling any load is specified by load demand, maximum span of acceptable rescheduling time, cost of rescheduling, allowable time span before start of rescheduling, rate at which load goes down during rescheduling, etc. However, such demand control leads to substantial complexity in EMM design and operation. To implement this, loads should have intelligent controllers for curtailing or rescheduling and they must communicate their status to the EMM.

4.4.4. Control strategies for central controller design

CC design and operation needs a control strategy to meet the management needs of the Microgrid. The choice of control strategy for CC depends on the performance efficiency of the strategy and cost of its implementation. Some suitable control strategies are real-time optimisation, expert system control and decentralised control, which are briefly discussed in the following sections.

4.4.4.1 Real-time optimisation

Real-time optimisation is the most suitable control strategy for EMM design. Constrained optimisation problems are extensively used in various fields of operations research. In an optimisation problem, the system to be optimised is expressed mathematically as an objective function that has to be maximised or minimised, subject to some constraints. Standard algorithms are available for solving optimisation problems. These algorithms employ intelligent search technique to reach the optimal solution. Instead of evaluating the objective function at every allowable state, the search techniques use their knowledge of system structure to consider only a small fraction of allowable states while determining the optimal state for the system.

Optimisation problems can be formulated as linear programming (LP) or non-linear programming (NLP) problems. The LP problems are the fastest to solve and guarantee a solution. The objective function and constraints for an LP problem are all linear equations and therefore reduces computational burden on the system. However, problems with integer constraints are difficult to deal with and may not guarantee a practical solution. Integer constraints involve yes/no decisions and quantities like the number of machines and/or people, which are only whole numbers. NLP problems are much more complicated and add to the complexity of the

controller. NLP algorithms are applied for systems with quadratic objective functions with linear constraints, separable systems or convex systems.

For optimisation strategy, EMM should collect information regarding Microgrid variables such as operating states (voltage/current/power levels), load demands, quantity of electricity and heat generation, open/close status of the circuit breakers, feeder loadings, weather parameters, tariff and operating state/condition of the equipment (normal running/shutdown for maintenance/alert). The EMM must initially consider all past and present variables, stochastic description of loads, weather, tariffs and equipment in order to predict future operation states for the Microgrid. After that it would dispatch a decision to the Microgrid equipment. For simplification of control algorithm, some information may even be approximated by constant values, provided such approximation does deviate too much from actual behaviour.

Mathematical description of Microgrid as a real-time optimisation problem is a complicated affair. This is due mainly to the non-linearities in part load equipment performance and tariff structures (such as demand charges), integer decisions in operating/shutting down microsources, uncertainty about the future load profile, rescheduling options, equipment start-up times and costs, and equipment ramp-rates. Therefore, depending on accuracy of solution required, computing power of the controller and time constraints, the EMM should use approximations to reduce complexity in modelling. It may also use its own optimisation algorithms or commercial software to select the optimal dispatch state and scheduling details.

4.4.4.2 Expert systems

Real-time optimisation puts too much computational burden on the CC and takes a long time to reach a solution depending on the complexity and non-linearity of the system. The cost of implementation in real-time environment is also very high. To alleviate these, AI techniques like fuzzy logic may be used for CC design. AI systems simulate human reasoning and the control algorithm is programmed with a series of decision-making 'If-Then' statements. An expert controller goes through a finite set of control options and simply takes a decision according to some rule bases. Fuzzy logic systems are variants of conventional expert systems. They consider 'overlapping' categories of states and assess 'to what extent' the system belongs to a particular category. Here, several 'If' conditions are satisfied simultaneously but to different extents and the final control decision is a weighted function of the respective 'Then' statements. Fuzzy controllers allow more complexity in their rule bases than conventional expert system controllers.

For Microgrid applications, the functions of a fuzzy-based EMM would be (i) to assess the state of the Microgrid, (ii) to determine what predefined category the current state falls into and (iii) to follow and implement the dispatch rule associated with that category. For optimisation, states should be categorised and the rules specified for them before EMM implementation. After that, adaptive control strategies may be employed for redefining the rules to suit system management requirements.

A major benefit of fuzzy control system is that it resembles human reasoning. Therefore, even if it is not possible to categorise the states and specify rules for the categories at the beginning, it would be possible to develop the controller just by applying the logic followed by human operators in making optimal dispatch decisions.

4.4.4.3 Decentralised and hierarchical control

Decentralised and hierarchical control strategies can be used for (i) aggregating individual Microgrids to bid their excess capacity to the utility and (ii) aggregating individual microsources to bid their capacity to the customers in the Microgrid. In this control, decision-making follows a hierarchical structure. A single agent collects demand and supply bids from multiple agents and makes dispatch decisions for individual agents according to preset rules. The rules for the agents may be determined by a higher-level controller. In case of Microgrids, the individual energy customers and suppliers would act as the agents and report to the ISO. The ISO would then determine the dispatch according to these reports and regulations provided by governing authorities.

4.5 Conclusion

There are some key issues that require extensive research to improvise the design of a Microgrid management system and to make it intelligent in the true sense of the word. Major issues like market reforms, impacts on distribution system, emission reduction, communication infrastructure needs, ancillary services and protection co-ordination have been discussed in detail in Chapter 3. This chapter details how and to what extent these may be taken care of by the Microgrid controllers. Chapter 5 discusses in detail the protection systems in Microgrid.

Chapter 5

Protection issues for Microgrids

5.1 Introduction

A Microgrid is an aggregation of electrical/heat loads and small capacity on-site microsources operating as a single-controllable unit at the distribution voltage level. Conceptually, Microgrids should not be thought of as conventional distribution networks with additional local generation. In a Microgrid the microsources have sufficient capacity to supply all the local loads. Microgrids can operate both in synchronism with the utility (grid-connected mode) and in autonomous power islands (stand-alone mode). The operating philosophy is that under normal condition the Microgrid would operate in the grid-connected mode but in case of any disturbance in the utility, it would seamlessly disconnect from the utility at the point of common coupling (PCC) and continue to operate as an island. Figure 5.1 shows the protection system for a typical Microgrid network.

This chapter reviews two major protection issues that must be dealt with to ensure stable operation of a Microgrid during any contingency. These are as follows:

- (1) To determine at what instant the Microgrid should be islanded under a specific contingency.
- (2) To sectionalise the stand-alone Microgrid and provide the sections with sufficiently co-ordinated fault protection.

Although the characteristics and performance of most protection elements of a Microgrid are consistent with those present in the utility distribution systems, it is not the same for the microsource power electronic inverter systems because of the following reasons:

- (1) Characteristics of inverters may not be consistent with the existing conventional protection equipment.
- (2) Different inverter designs have different constants and therefore, do not have any uniform characteristic that would represent inverters as a class of equipment.
- (3) Basic characteristics of the inverter unit as seen by the system can change markedly depending on design and application.

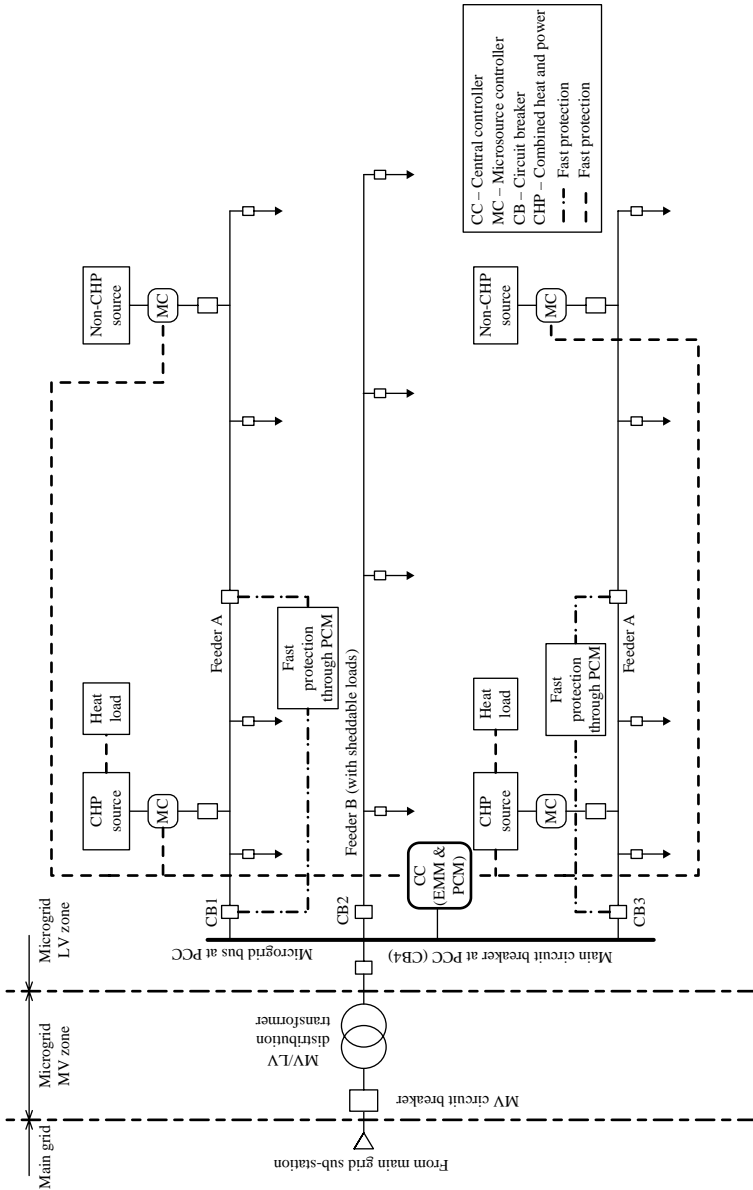


Figure 5.1 Protection of a typical Microgrid

Another problem posed by the inverter units is their extremely low-fault current capacity. It is usually less than 50% of the rated current unless they are specifically designed to provide a high fault current. This drastically reduces the fault current available from the microsources in comparison to utility generators. If a significant number of microsources have power electronic inverter interfaces, then the transition from grid-connected to stand-alone operation results in a marked reduction in Microgrid fault level. This affects the sensitivity and operation of the overcurrent relays in the system. If the relays are set for higher fault currents in case of grid-connected operation, then the same relays would operate very slowly or may not operate at all for the stand-alone operation due to lower fault currents.

Protection issues for Microgrids cannot be properly resolved without a thorough understanding of Microgrid dynamics before, during and after islanding. Also, time of islanding the Microgrid should be preceded by a realistic assessment of what benefits the Microgrid will gain from rapid separation. Although the equipment standard SEMI F47 suggests that manufacturers would benefit from shorter separation times of less than 50 ms after the occurrence of any contingency in the utility, such times cannot be realised with currently available protective devices. If very high speed of separation is required and spurious trips are to be avoided at the same time, then transfer trip mechanisms should be installed between the utility grid sub-station and the PCC circuit breaker. Installation of high-speed communication channels between utility and Microgrid would also help in rapid islanding during non-fault conditions.

For secure and reliable operation of the stand-alone Microgrid, the protection system should ensure the following:

- (1) Appropriate grounding must be provided for stand-alone Microgrid.
- (2) Fault detection devices in Microgrid must work in compliance with the fault detection system in the grid-connected mode.
- (3) A means of fault detection, not dependent on a large ratio between fault current and maximum load current, must be provided to take care of the reduced fault level after islanding.
- (4) Any existing anti-islanding schemes should be examined and modified if necessary, to prevent instability or undesirable loss of microsources with sensitive settings.
- (5) Any load shedding scheme set up by the utility in the Microgrid area must be closely co-ordinated.

This chapter explores how far the protection issues may be resolved with currently available protective devices and schemes before attempting to make revolutionary changes in power system protection schemes that have evolved through almost a century of experience.

5.2 Islanding: separation from utility

Microgrids normally have a capacity less than 10 MVA that is very small compared to the utility. Microgrids must have sufficient generation to supply a significant

portion of its load. If islanding does not occur at the PCC, then the Microgrid may carry a part of the utility with it. In this matter IEEE standards suggest minimum interconnection protection criteria, which a Microgrid should meet during grid-connected operation. Cost of implementation and technical limitations are important for designing protection schemes for Microgrids. Following issues should be duly considered for islanding of the Microgrid:

- (1) Whether speed of operation of protection system need to approach SEMI F47 specifications.
- (2) How to minimise spurious separations?
- (3) Whether non-fault separations would be allowed for under-voltage, open phase and voltage unbalance conditions.
- (4) Separation protection limitations imposed by exporting Microgrids.
- (5) Whether re-synchronisation to utility would be automatic or manual particularly in relation to frequency and voltage matching.

5.2.1 Different islanding scenarios

This section discusses the following scenarios related to the islanding of the Microgrid:

- (1) Fast separation from the faulted feeder
- (2) Prevention of spurious separation
- (3) Non-fault separation
- (4) Separation from exporting Microgrids
- (5) Re-synchronisation.

5.2.1.1 Fast separation from a faulted feeder

One major service provided by Microgrid is uninterrupted power supply to priority loads during any outage. If the loads of the Microgrid are so voltage-sensitive as to require separation times of less than 50 ms (as per SEMI F47 specifications), then it will not be possible for the existing protective equipment to act that fast to clear the fault under any condition. Usually, secure relay time to detect an under- or over-voltage is up to two cycles and a medium voltage (MV) breaker requires three to five cycles to interrupt the circuit, after receiving the trip signal. Therefore, if the Microgrid does not have a very fast acting solid-state circuit breaker at PCC, other means must be adopted to prevent the voltage from falling below 50% for three cycles or longer. To achieve design and protection improvements, following two cases have been considered:

- (1) When separation is not necessary
- (2) When separation is mandatory.

(1) When separation is not necessary

Such cases occur when the fault is not located between the PCC and the utility sub-station breaker. For example, a fault causing sag on a sub-station bus may occur on an adjacent feeder fed from the same sub-station. In such cases, one option

of preventing sags is to install electronic sag correctors or replacing the Y–Y connected transformer at PCC with Δ –Y connected transformer and adding a high voltage side breaker. For single phase-to-ground faults in the utility, Δ –Y transformer would ensure that the phase-to-ground voltage in the Microgrid does not drop below 58%. These two options demonstrate how protection considerations and design options must be considered together in developing economic Microgrids.

Installation of electronic sag protectors is costlier. Two types of electronic sag protectors are available, one suitable for shorter protection periods and the other for longer protection periods. The short-term sag protector does not use any energy storage and is typically effective for only about two cycles. On the other hand, the long-term sag protector incorporates an energy storage device. However, upcoming sag protectors do not require significant storage if the under-voltage condition does not last too long or is not less than 50%. Even for zero voltage conditions, most sag protectors can hold up the voltage for three cycles. Therefore, if instantaneous relays and three cycle breakers are installed in all feeders adjacent to the main incoming feeder of the Microgrid, then for adjacent feeder faults, the combination of electronic sag correctors and high-speed relaying should satisfy the SEMI F47 requirements for rapid fault clearance. For faults occurring within the Microgrid, the solution will considerably depend on the existing utility practices such as fuse saving with quick blow fuses. In such cases also the electronic sag correctors should still be able to meet SEMI F47 requirements. If, however, the utility employs instantaneous overcurrent tripping of the feeder for fuse saving purposes, then separation of the Microgrid will be required.

Replacing the Y–Y interconnecting transformer with a Δ –Y one is a cheaper solution, though less effective. Since SEMI F47 allows voltage sags below 70% for only 0.2 seconds, the protective action of the utility must be fast enough to meet the specified fault clearing time. Moreover, Δ –Y interconnection is effective for only single phase-to-ground faults on the Δ side and for loads connected between line and neutral on the Y side.

(2) When separation is mandatory

When a fault occurs on its main incoming feeder at the PCC, the Microgrid must separate itself from the utility. The fault point is ‘upstream’ to the PCC breaker CB4 as indicated in Figure 5.1. This fault requires high-speed separation under all technical standards (like SEMI F47) and utility protection requirements, without maintaining even a low under-voltage tie to the utility. Thus, extensive efforts are needed to develop high-speed protective devices that would meet SEMI F47 requirements even without long-term electronic sag protectors. Storage requirement for the electronic sag protectors is reasonably reduced if high-speed tripping is employed in Microgrids.

5.2.1.2 Spurious separations

From operation point of view, maintaining a tie between the Microgrid and the utility is highly desirable. But if fault occurs on the tie, then the Microgrid should be separated from the utility using fast tripping devices as per SEMI F47

requirements. Inexpensive protective devices are not secure and may cause false trips and spurious separations. Although technical standards specify mandatory voltage and frequency trip settings for measurements made at the PCC, but these are not good discriminators in pinpointing the exact fault location (i.e. whether the fault is on the incoming feeder to the Microgrid or within the Microgrid itself). Currently, the only reliable method of fast tripping the PCC breaker is to have a transfer trip from the utility grid sub-station breaker.

False tripping problems may arise not only from electromechanical relays and breakers but also from the sophisticated microprocessor-based protection packages acting solely on information available at the PCC. Such packages cannot always determine the fault location in spite of the extreme difference in energy capacity between the utility and the Microgrid. The impacts of false trips on a Microgrid are different from those on a single microsource connected to the utility. For the microsource, a false trip just amounts to losing kilowatt-hour sales for a brief period and the cost incurred due to restart and re-synchronising. On the contrary, for a Microgrid, a false trip means significant exposure to power quality problems. Therefore, the cost of interconnection protection must be examined and justified as an insurance against the loss of potential manufacturing production and not just the loss of kilowatt-hour.

If a Microgrid supplies backup power to its own loads, then spurious separations can be tolerated to a certain extent. Rapid separation from a faulty utility safeguards the Microgrid from getting affected by upstream disturbance and allows it to continue operating unfazed. A spurious separation has little effect on the operations of the Microgrid and the utility as long as the Microgrid is able to restore normal operation after separation. The main advantage of tolerating false tripping is that the relay settings for separation can be defined by voltage and frequency deviations and time durations only, even if these are not very good indicators of the exact location of utility fault. If unacceptable voltage deviation persists longer than the allowable duration, then separation should take place, even if it leads to the outage of the main utility feeder. Thus, relaying problem becomes much simpler than trying to assess the fault location from PCC voltage and current measurements.

However, the Microgrid designer may raise the following points as an argument against such an oversimplified approach:

- (1) If Microgrids are to shed non-priority load upon islanding, then allowing spurious separation may cause unwarranted outages to these loads.
- (2) For exporting Microgrids, spurious separations would lead to loss of revenue and a period of over frequency operation while the Microgrid frequency stabilises. Moreover, the utility may feel that such frequently interrupted generation would not be very worthy.

5.2.1.3 Separation in non-fault conditions

Low voltages (LVs) may also occur under non-fault conditions. Therefore, whether an LV condition is associated with a fault between the PCC and the utility sub-station may be difficult to ascertain without a high-speed communication between

the Microgrid and the utility controllers. For under-voltage, it is generally desirable for the Microgrid and the utility to stay connected, while the latter tries to eliminate the LV, provided it is not caused by any fault that requires tripping at the PCC. The Microgrid and the utility may also negotiate a trip control to co-ordinate with the voltage limits for balanced voltage conditions as specified by the SEMI F47. The trip control may be achieved through communication with either (i) the utility or (ii) the trip restraint system using balanced voltage blocking of single phase under-voltage relays at the PCC when the desired voltage trip levels are lesser than the delayed trip settings as specified by IEEE P1547 standards. However, P1547 currently considers trip levels for ‘unintentional islanding’ conditions and does not cover ‘intentional islanding’. Although such trip restraint can be designed using the currently available devices, but still the under-voltage trip setting would be finally determined by operational restraints of Microgrids, viz. voltage sensitivity of loads and the ability of the Microgrid to recover from the LV condition after tripping.

Some degree of voltage unbalance always exists on distribution feeders even under normal conditions. The under-voltage tolerance limit for the Microgrid (i.e. voltage setting under which the Microgrid will island itself) depends on factors like transformer connections and grounding points within the Microgrid. The sensitivity to voltage unbalance of loads, microsources and other distribution equipment should be considered to determine the criteria for establishing the under-voltage tolerance limit. For voltage unbalances, however, it becomes difficult to ascertain whether their cause lies within the Microgrid or is external to it. This job is further complicated by the ratio of the power supplied internally to the Microgrid to its own load demand. Therefore, an intelligent controller function should be incorporated in the Protection Co-ordination Module (PCM) at the PCC to make the appropriate decision of whether to separate or not to be based on voltage unbalance.

Open phases are generally associated with systems where fuses are located between the utility sub-station and the PCC. Open phases may also occur without any fault, though such occurrences are rare. Detection of non-fault open phases is difficult. Complexity depends on the number and type of transformers between the open phase and the PCC where a three-phase switching device usually exists. Since an open phase causes phase-to-phase voltages to remain at or above 50%, the Microgrid may not be able to detect it as an abnormal condition. However, open phase conditions are considered to be potential hazards to transformers and microsources, as excessive overcurrents/over-voltages may exist across the open phases if not properly isolated with three-phase switching. It may also cause safety problems to utility line workers. For this, allowing a Microgrid to connect fuses between the PCC and the utility sub-station circuit breaker should be either strongly discouraged or even if one is used its design must incorporate protection against open phase conditions.

5.2.1.4 Separation of exporting Microgrids

Exporting Microgrids are not in a position to use simple reverse power relays to determine utility contingency conditions. Also, simple over-/under-voltage relaying schemes may not ensure tripping for utility faults as the exporting Microgrid itself

has adequate generation capacity. As an exporting Microgrid contains excess generation than its maximum load, its impedance ratio is much closer to that of the utility. This is a major difference between an exporting Microgrid and an importing (or non-exporting) one. Hence, the voltage division in exporting Microgrids during fault is considerably different from that in grid-connected importing Microgrids. Implementing an exporting Microgrid would require a major redesign of the protection and control systems as compared to conventional protection practices suitable for importing Microgrids connected to secondary or spot networks. Manufacturers of network-protection systems and devices are putting in substantial effort in developing equipment suitable for protection/control of exporting Microgrids.

5.2.1.5 Re-synchronisation

Relay and control schemes are generally used for re-synchronising a conventional synchronous generator either manually or automatically and for re-synchronising a power electronic inverter-interfaced microsource automatically. If the Microgrid contains only a single microsource, then the choice for manual or automatic re-synchronisation will depend largely on the skills and availability of operator. But, if multiple microsourses are there at various locations, then automatic re-synchronising schemes should be incorporated in PCM design. PCM may also include other refined controls like delayed re-synchronising during storm conditions, where disturbances may be frequent, and communication facilities with at least the larger microsourses.

5.3 Major protection issues of stand-alone Microgrid

When a Microgrid operates in the stand-alone mode, the protection considerations become significantly different from those for the grid-connected condition. This section discusses four main protection considerations, assuming a proper separation of the Microgrid at the PCC, which are as follows:

- (1) Distribution system fault protection
- (2) Protection of microsourses
- (3) National Electric Code (NEC) requirements for distribution transformer protection
- (4) Neutral grounding requirements.

5.3.1 Microgrid distribution system protection

The issues that should be duly considered are as follows.

5.3.1.1 Microgrid MV system protection

The faults occurring in the MV zone (i.e. the utility side) of the Microgrid can be easily cleared just by tripping all the microsourses. However, before developing any protection scheme for MV zone, the probable impacts of MV faults on Microgrid operation must be carefully studied. Moreover, it should also be decided

whether at all to go for selective isolation of MV faults and keep the rest of the Microgrid operating, particularly if the fault is a second contingency. Designating the fault as a second contingency implies that the first contingency has already occurred and has resulted in separation of the Microgrid and that the MV fault is only a second contingency in the stand-alone Microgrid.

Assuming the Microgrid to be a typical on-site active LV distribution system, the only MV protective devices it would include are the distribution transformer fuses on the MV/LV transformer connecting it to the utility. For an MV-side fault during grid-connected operation, these fuses are typically set to operate rapidly within 0.1–0.2 seconds for the available fault current from the utility grid (i.e. normally 20–50 times the maximum load current carried by the fuses). On the other hand, for LV-side faults resulting in reflected fault currents 10–20 times the maximum load current of fuses, they are set for time-delayed operation within 0.5–1.5 seconds. The problem for the protection system of a stand-alone Microgrid is the drastic reduction in fault level. An MV fault of similar magnitude in a stand-alone Microgrid would result in fault currents only about five times the full load current of the system. This is much lesser compared to 20–50 times greater fault currents in grid-connected condition. Thus, with extremely inverse time–current characteristics, the distribution transformer fuses will be extremely slower to operate for such faults and it would be very difficult to co-ordinate them with microsource protection.

Under this condition, there are only two choices: (i) to accept that an MV fault within a Microgrid would lead to a total Microgrid outage or (ii) to install additional protective devices to the MV system that is properly co-ordinated with the microsource protection systems under stand-alone condition. The first choice of ‘accepting misoperation for a second contingency’ is definitely more economic and tolerable as the loss of the distribution transformer does not lead to any extra loss of generation for the stand-alone Microgrid whereas the second one involves the expense of adding extra breakers and relays in the MV side.

A Microgrid may face different complexities due to MV-side faults. If a fault occurs on the transformer side of an MV fuse with the Microgrid still connected to the utility, the fuse will most likely blow rapidly because of the high fault current flow from the utility. This would keep the faulty transformer connected to the Microgrid, though disconnecting it from the utility sub-station. Thus the Microgrid would be left with an uncleared fault or an open phase condition. Again, if the Microgrid has been previously islanded, there may not be enough fault current to blow the fuse leaving it again with an uncleared fault.

If a fault occurs on the main feeder of the Microgrid MV system, it must be separated to clear the fault from the utility system. If the Microgrid has already been separated then also the faulty feeder must be disconnected to clear the fault. If the Microgrid has a centralised generation, then there may be two choices as discussed before: either (i) to accept outage due to second contingency or (ii) to add additional protective devices properly graded with the centralised microsource. However, if there is another generation and distributed around the Microgrid then another choice is (iii) to install relays at suitable points in the LV network such that

the microsources can isolate themselves from the MV system and continue to supply their local loads. Rather, for Microgrids with microsources at more than one location, as shown in Figure 5.1, options (ii) and (iii) would be the appropriate choices.

If the relaying at the main incoming feeder at PCC is to have enough time to separate the Microgrid from the utility, then microsource protection system should be adequately time-delayed for faults within the Microgrid to avoid loss of microsource generation due to utility disturbances. If grounding within the Microgrid is sufficient to prevent damaging over-voltages, such time delays may be accepted since the fault current magnitudes are much lower in the stand-alone mode than grid-connected mode. But definitely some feature must be included in the microsource protection systems to act as backup to the separation relaying at PCC.

For complicated Microgrid architecture, protection co-ordination may be best achieved through an intelligent PCM while individual microsource protection can protect the distributed energy resources (DERs) without having to co-ordinate with any other protective device. Such a system calls for line or feeder section protection where co-ordinated protection of the various feeder sections needs to be achieved using relatively simple directional overcurrent relays. But in a stand-alone Microgrid, it is difficult to have location sensitive fault currents of high magnitude. It is also difficult to make the conventional directional devices to automatically adapt from higher fault current levels to lower fault currents after separation. Co-ordination becomes difficult if zero sequence current–voltage product relays are used. Another difficulty is that relatively high impedances of the Microgrid source may cause the operating times of two adjacent relays to nearly match, leading to reduced selectivity. Therefore, proper selectivity has to be achieved by employing differential protection schemes around each circuit segment. Moreover, high-speed communication is required to and from all protective devices that trip any faulted circuit.

5.3.1.2 Low voltage fault clearing requirements

Conventional protective devices operate for maximum fault currents levels of about 2–20 times the maximum load current. They are usually time–current co-ordinated with one another so that the device closest to the fault operates first. The device closest to a fault is known as primary device while the upstream devices away from the fault are known as backup devices. During any fault, the backup devices are adjusted to operate slower than the primary one at the maximum fault current that flows through both of them, even though both detect the fault. Time-graded co-ordination takes the advantage of the natural falling off of fault current as the fault moves away from the source of generation. The falling off depends on the magnitude of impedance of lines/transformers between the generation point and the fault point. For MV and LV distribution networks, inverse-time overcurrent (51) and high-set instantaneous overcurrent (with or without time delay, i.e. 50/2 or 50) relays are used. This makes the fault clearing times more or less proportional to the distance of the fault from the sub-station.

The generation point is termed infinite bus in fault studies. One major problem is that the stand-alone Microgrid is not likely to appear as an infinite bus on the MV side of the MV/LV transformer and the apparent impedance of the Microgrid source may be much greater than that of the transformer. Therefore, the fault current change may be relatively small as the fault moves further into the LV system from the MV zone. Thus, in overcurrent co-ordinated protection schemes as described in the preceding text, transition of a Microgrid from grid-connected to stand-alone mode may slow down fault clearing and limit backup protection. Whether this effect would be significant depends on a number of variables which are as follows:

- (1) Whether the time-impedance characteristics of the microsources exhibit sub-transient, transient and/or synchronous time effects.
- (2) The value of pickup setting of the high-set instantaneous overcurrent relay with respect to the maximum fault current available from Microgrid.
- (3) How much inverse the time-current characteristic of the relays is in the region of fault currents provided by the Microgrid, i.e. how much the operating time changes for a change in the fault current.

Keeping these in view, the PCM either should change/readjust the overcurrent relay settings during switching from grid-connected mode to stand-alone mode or should accommodate the setting requirements for both the modes in a single setting.

Some general observations made regarding the effect of this transition on conventional relaying indicate that co-ordination between a primary and a backup device is not disturbed much by mode transition as the devices are co-ordinated at the maximum fault current flowing simultaneously through both the devices. Moreover, the time margin normally improves at lower fault currents due to inverseness of the time-current characteristics of overcurrent relays. If fault currents greater than 10 times the pickup of the time-overcurrent functions are used, the transition will not have much effect on the timing of these functions as the time-current curves are relatively less inverse at these current levels. However, the time of operation of extremely inverse devices will show a more pronounced change due to the transition. The high-set instantaneous overcurrent devices are most likely to be affected due to the drastic reduction in fault current magnitude caused by the transition. There may even be chances of fault currents dropping below the high instantaneous setting of such devices. In that case, faults that were previously cleared within a few cycles may require a much longer time or may not be cleared at all.

One way of matching the fault current levels for the two modes may be to install a fault limiting circuit breaker at the PCC. But, such system calls for a fundamental change in the protection philosophy though it might make the transition from grid-connected to stand-alone mode of operation more seamless. At present, extensive research is going on for developing economic adaptive relaying schemes for distributed generation applications to protect DERs in both grid-connected and stand-alone modes.

5.3.1.3 Presence of dispersed DERs in a Microgrid

The impact of having dispersed DERs on Microgrid protection system must be compared with that of having a central Microgrid generation facility. These must be taken into account while designing a reliable and secure protection system. If the Microgrid has dispersed generation arranged in the form of a quasi network (i.e. if there is no central generation located at the Microgrid bus at PCC), the changes in fault protection scheme must consider not only the reduction in fault current (typical of a stand-alone Microgrid) but also the chances of bidirectional fault current flow in some feeders. Thus, if there is a fault between a slave (controlled) DER and the master (controller) DER, then the slave must disconnect from the system as per P1547 specification. This separation may be difficult if the protection for the slave DER is already designed to not trip for faults on the utility side of the PCC, because in that case, it would not be able to detect whether the fault is on the utility side of the PCC or the master DER side in the Microgrid. Hence, high-speed communication between the PCM and all Microgrid circuit breakers is the only reliable way to achieve selective tripping.

5.3.2 Protection of microsources

The design of a reliable microsource protection scheme should consider the following issues and extensive dynamic simulation studies should be carried out to address them:

- (1) Deciding acceptable voltage and frequency protection tolerances for a stand-alone Microgrid.
- (2) Assessing whether there is any need for the anti-islanding protection of DERs and if such protection exists, how it may be disabled or overridden while the Microgrid is operating in the stand-alone mode.
- (3) Examining whether the existing anti-islanding techniques may lead to voltage and/or frequency instability if used in a stand-alone Microgrid.
- (4) Assessing the needs for an under-frequency load shedding scheme for Microgrid's own reliability and co-ordinating it with the same scheme of the utility.

5.3.2.1 Modification of voltage and frequency windows

Although widening the voltage and frequency windows (i.e. tolerance range) during stand-alone Microgrid operation seems desirable for stand-alone Microgrid with low generation capacity, its impact on the safety of existing equipment must be carefully studied before actually implementing the change. If these windows were originally set as protection boundaries for preventing damage to the connected equipment, then they should better not be changed. But, if they were set as fault and island detection levels, then they may be changed only after extensive study. Moreover, this change should be effected only through the intelligent Microgrid central controller (CC).

5.3.2.2 Anti-islanding

Whether there is any need for the anti-islanding protection for the microsources or whether the anti-islanding controls on their power electronic interfaces should be disabled can only be decided by carrying out extensive dynamic simulation studies. In general, it is desirable to deactivate these controls, unless the ratio of utility generation to microsource generation is too high. However, if these controls are not deactivated the Microgrid might be left with uncontrolled islands. As most anti-islanding controls cause very fast tripping, it might be necessary to have these deactivated instantly on the detection of forming an isolated Microgrid. The most reliable way for achieving this would be to transmit a blocking signal from the Microgrid CC to deactivate the anti-islanding trip signal.

5.3.2.3 Load shedding and demand side management

All power systems are designed to deal with local or system-wide overload conditions caused by contingencies like faults or equipment failures. For handling these conditions, the power utilities normally designate a cluster of loads as non-critical loads and disconnect them to avoid any drop in system voltage and frequency, especially during loss of generation or tie lines. This is done through load shedding and demand side management schemes designed to stabilise system voltage and frequency during disturbances. To have the switching flexibility, the utilities provide the non-critical customers with more favourable rates as incentives. Once an agreement is drawn up between the utility and the customer regarding load shedding, the utilities trip these loads rapidly but selectively through their load shedding systems just to restore supply–demand balance by demand side management.

The loss of generation or ties is usually characterised by system under frequency. In that case, the power utilities employ load shedding schemes with under-frequency relays to shed the non-critical loads so as to restore system frequency with reduced generation. In extreme cases, load shedding schemes based on under-frequency relays and inertia characteristics of the rest of the utility system are also employed to restore normal frequency level. Loads tripped in this manner are general loads supplied from distribution sub-station. The only selection criterion is to avoid supply interruption to critical facilities. Normally, these customers neither get any economic benefit from shedding, nor are notified prior to shedding.

Installing a utility load shedding system in demand side management always has technical, economic and political implications. For a Microgrid, however, the nature of the technical problems depends on whether load is to be shed before or after separation. The economic and political problems might also take new dimensions if load shedding becomes unavoidable in just forming the Microgrid.

If a frequency-shed non-priority load exists in the boundaries of a Microgrid, then its tripping must be co-ordinated with the under-frequency separation point established for forming the Microgrid. This co-ordination again depends on the following:

- (1) Whether the stand-alone Microgrid has adequate generation capacity to supply this designated non-priority load.

- (2) If the Microgrid was originally designed to supply this non-priority load fully or partially in grid-connected mode, then premature separation of the Microgrid may lead to further deterioration of the overload condition in the utility. Separation of the Microgrid before shedding this load will be viewed as a major loss of generation to the utility.
- (3) If the Microgrid was not designed to supply the non-priority load in grid-connected mode, then this load must be shed before separating the Microgrid so that the utility has a chance to determine whether its generation-load balance can be restored with load shedding.
- (4) If loads need to be shed in excess (i.e. beyond the preset amount needed for maintaining specified voltage/frequency) to ensure the stable operation of the Microgrid, then studies must be undertaken to assess how this load shedding may affect the dynamic behaviour of the Microgrid after separation.

If the Microgrid is forced to separate due to a fault or equipment failure between the PCC and the supply bus at the utility sub-station, then it should employ its own load shedding scheme. Since the inertia constant of the Microgrid is lower than that of the utility, the technical issues that must be resolved in developing the load shedding scheme are as follows:

- (1) Whether the utility has its own load shedding set up in the Microgrid should be checked.
- (2) If it has, then whether or not the load blocks, time delays and the set points are in compliance with the dynamic needs of the stand-alone Microgrid must be examined.
- (3) If there is no such system, then it should be checked whether permissive under-frequency trips controlled by the tripping of the PCC breaker can act fast enough to safeguard the Microgrid.

The main advantage for Microgrids housing the utility-controlled load shedding facilities is that if separation is caused by a fault, then high-speed communications directly to load shedding breakers can be achieved to attain fast load shedding. This would considerably compensate for the low inertia of the Microgrids.

5.3.3 NEC requirements for distribution transformer protection

Before designing any protection scheme for the MV/LV distribution transformer, it should be carefully checked whether the NEC transformer overcurrent protection requirements would suit Microgrids with much lower fault current capacity. As per Article 450 of the NEC, overcurrent protection for transformer can be set as high as 600% of the transformer rating. Moreover, most NEC recommendations are based on the assumption that short circuit to maximum load current ratio would be greater than 10. But depending on the location and rating of transformers and the low-fault current capacity of the stand-alone Microgrid, transformer protection system may not pick up faults at all with a high setting and may leave the transformers practically unprotected against short circuits.

5.3.4 Neutral grounding requirements

The neutral grounding system for a Microgrid must ensure effective fault protection, insulation integrity and safety under the islanded or stand-alone mode of operation. The design and development of Microgrid grounding system should consider the following issues:

- (1) How to provide an effective neutral grounding for the MV system in a stand-alone Microgrid when the MV/LV distribution transformer is Δ -Y connected.
- (2) How to provide an effective neutral grounding for the LV distribution network system in a stand-alone Microgrid especially when the MV/LV distribution transformer has Y-grounded/Y-grounded connection.
- (3) How to maintain compatibility between grounding of the MV system within the Microgrid and that of the utility feeder supplying the Microgrid.
- (4) Whether the grounding system for the Microgrid complies with the grounding requirements of the existing DER installations.

The design of Microgrid grounding system requires a thorough knowledge of the impact of different distribution transformer connections on the effectiveness and suitability of grounding system.

5.3.4.1 Interconnection transformer connection alternatives

Most power utilities have Y-grounded/Y-grounded connected step-down distribution transformers on their MV multi-grounded Y-connected distribution networks. Although, this connection provides several advantages for supplying conventional customer loads, but it may lead to certain problems in the operation of a Microgrid with interconnected microsources. For Microgrids, other connections like grounded Y- Δ or Δ - Δ should rather be considered. The factors that must be considered while deciding the connection of the distribution transformer are as follows:

- (1) Backfeed voltages and surge arrester ratings
- (2) Co-ordination of ground relays
- (3) Unbalanced feeder loads
- (4) Ground relaying for feeders
- (5) Need for grounding transformers
- (6) Magnitude of LV fault current

(1) Backfeed voltages and surge arrester ratings

Conventional MV distribution networks are effectively grounded. The MV/LV distribution transformers normally have Y-grounded MV and Δ -connected LV. The X_0/X_1 ratio throughout the system is equal to or less than 3.0. Therefore, 80% surge arresters can be used everywhere along the feeder including the MV system of the Microgrid. The grounding situation for a stand-alone Microgrid becomes a little complicated due to the presence of local microsource generation. If a phase-to-ground fault occurs on the MV zone, it will be automatically separated from the utility at the PCC, thereby disconnecting ground source of the utility sub-station totally from the Microgrid system. But the Microgrid MV system would still remain

energised by the microsources. Hence, in that case, grounding and possible over-voltage conditions would be mainly determined by the connection of microsources transformers and by the grounding of the microsources themselves. However, a Y-grounded/ Δ -connected transformer (with Δ on the LV side) would keep the MV system effectively grounded with the X_0/X_1 less than 3.0, since the transformer itself provides a ground source. In that case, 80% arresters can be effectively used.

The Y–Y connected transformers are not ground sources in themselves and represent straight through paths for zero sequence current. Therefore, the net grounding condition for the backfeed scenario depends on the grounding of the microsource itself. If it is solidly grounded and zero-sequence impedance exists, then X_0/X_1 ratio would be equal to or less than 3.0, so that the 80% arresters may be safely used. But, if it is ungrounded or impedance grounded, then X_0/X_1 would become very high and the healthy phase voltage on the MV system may even exceed the normal phase-to-phase voltage. In that case, fully rated surge arresters should be used. Δ – Δ connected and Δ –Y connected transformers (with the Y-winding connected to the microsource side) can never be a ground source for the system. For such connections, either a grounding bank should be connected to the feeders for limiting the over-voltages or 80% surge arresters on the entire feeder should be replaced with fully rated ones. Moreover, the effect of the over-voltages on other electrical apparatus in the Microgrid served by phase-to-neutral connected transformers should also be carefully studied.

If the microsource is a synchronous generator, then one way of keeping the feeder effectively grounded (during separation of the microsource for an MV system ground fault) is to ground it through a reactor to keep the X_0/X_1 ratio of the system equal to or less than 3.0. Although it is simpler to solidly ground the generator neutral, but in that case, the magnitude of the fault current for a phase-to-ground fault would be greater than for a three-phase fault as X_0 of the generator is usually less than X_1 . Therefore, solid grounding is not permissible for large generators. Small microsources may not be subject to this limitation, but still the manufacturer should be consulted to check whether they could be operated with solid grounding or not.

(2) *Co-ordination of ground relays*

Relays, reclosers and fuses connected serially along the distribution circuit should be co-ordinated such that farther a device is from the fault, more will be its tripping time. For a microsource, fault tripping should take place in the following sequence (arranged from lower to higher tripping times):

LV breaker or contactor of the microsource \rightarrow *Fuse of recloser just upstream to the microsource breaker* \rightarrow *Main PCC circuit breaker of the Microgrid* \rightarrow *Device at the MV side of the distribution transformer* \rightarrow *Circuit breaker at utility sub-station*

This implies that the operating times for the extreme upstream devices may be quite high for certain faults.

As previously discussed, the protective devices in the Microgrid may not face any co-ordination problem for three-phase, phase-to-phase and solid phase-to-ground faults in grid-connected mode. This is because the ratio of phase fault current to load

current would be very high in those cases. But, this ratio may not be sufficiently large for high impedance phase-to-ground faults, which may reduce the sensitivity of fault detection. In this case, the Y- Δ transformers have an advantage over the Y-Y ones, as they are able to isolate the zero sequence circuits. The Y- Δ transformer zero sequence current will not flow in the feeder for faults on the LV microsource system. Thus, the MV ground fault relays may be set with a lower pickup current for faster operation since they need not co-ordinate with the ground relays of the microsources.

(3) *Unbalanced feeder loads*

Most distribution feeders operate with almost balanced loads under normal conditions. But for some contingencies (e.g. intentional or unintentional opening of single-phase laterals), feeder currents may become unbalanced. In that case, the Y- Δ transformers with LV Δ -winding (at the microsource side) being a ground source is particularly susceptible to the unbalanced load currents. The unbalanced feeder overload condition can be alleviated by installing a reactor in the neutral connection of the Y-winding of the transformer. Insertion of the reactor increases the effective zero sequence reactance of the transformer thereby helping to reduce the percentage of unbalance current flowing through the transformer. The Y-Y transformer is also affected due to feeder unbalances though not as severely as a Y- Δ one.

(4) *Ground relaying for feeders*

For feeders

Since a Y- Δ transformer with Δ -connected LV is a ground source in itself, it may shunt out some of the zero sequence fault current from the sub-station ground relays. This should not pose a major problem because there would still be enough current to operate the ground relays. But problems may occur if (i) the microsource shorts out enough I_0 to prevent the source ground relay from operating at all and (ii) the sub-station breaker or recloser does not operate correctly for fuse saving. In that case, the reach of the fast tripping element might be pulled back so far that the clearing time of its first trip would exceed the melting time of the overreached fuse.

For microsources

Since Δ - Δ or Y- Δ transformers can effectively isolate the zero sequence circuits of the microsources from the MV system, any zero sequence current or voltage measured on the LV of the transformer indicate a microsource fault. Detection of MV ground fault needs to measure E_0 , I_0 or both on the transformer MV side. In that case, for Y- Δ transformer with Y-connected MV, I_0 can be easily obtained by connecting a current transformer (CT) in the transformer neutral. However, for Δ -connected MV, E_0 is to be measured from the open delta of potential transformers (PTs) connected to the MV of the microsource transformer. For Y-Y transformers, MV ground faults can be easily detected by measuring I_0 and E_0 on the LV-side of the microsource transformer. This is definitely a cheaper option as compared to connecting MV devices as required for the Y- Δ transformers. However, it is difficult to differentiate between LV- and MV-side faults just using E_0 . Although tripping is required for both the cases, yet confusion may arise in determining the exact fault location.

(5) Need for grounding transformers

When an effective ground source is to be provided from a microsource inter-connected through a Δ - Δ or Δ -Y transformer, installing a grounding transformer would be a cheaper alternative than changing the connection of the main distribution transformer. In that case, the impedance requirement of the grounding transformer would be largely dictated by the kilovolt-ampere rating of the microsource. The kilovolt-ampere rating of the grounding transformer may also be much lesser than the main distribution transformer. Installing a grounding transformer would also allow to choose an optimum value of X_0 , independent of the impedance of the main transformer.

(6) Magnitude of LV fault current

The magnitudes of three-phase and phase-to-phase fault currents on the LV system of a grid-connected Microgrid are not affected by the transformer connection. The effect, however, is appreciable for phase-to-ground faults. With Y-Y transformer connection, depending on the type of microsource grounding, the phase-to-ground fault current is usually between 15 and 25 times the transformer full load current. For Y- Δ connection this fault current is much lower and is only limited by the neutral resistance of the microsource. If the microsource is solidly grounded and supplies a neutral for the LV system, the fault current for the Y- Δ connected transformer is limited by the impedance of the microsource itself. A Δ - Δ transformer results in the same magnitude of fault current as the Y- Δ bank while the Δ -Y transformer (with Y-connection on the microsource side) produces almost the same currents as the Y-Y bank.

5.3.4.2 Choice of grounding system

As there is no preference for any particular transformer connection, the Microgrid should design its own grounding system to suit its distribution transformer inter-connection scheme. If Y-grounded/ Δ transformers are used, then the Microgrid remains effectively grounded even after islanding. But, if Y-grounded/Y-grounded connection is used, then the effectiveness of grounding will depend on the grounding systems of the microsourses, assuming them to be directly connected synchronous generators. If the microsourses are provided with power electronic interfaces, then it would be difficult to determine the impedance characteristics for the Microgrid system under single phase-to-ground fault conditions.

But, in general, the choice of the grounding system will not be dictated by the MV/LV transformer connection, but also by the ground co-ordination required by the utility. If required, some means for high-speed insertion of a grounding system may have to be devised upon separation at the PCC.

5.4 Conclusion

Protection requirements for a Microgrid are quite different from those of conventional distribution systems and conventional DER installations. Unlike them, a Microgrid has to meet two sets of protection criteria, viz. (i) the interconnection

requirements imposed by the utility or specified by appropriate technical standards and (ii) the requirement of separating from the utility in time to maintain the desired power quality and reliability within the Microgrid. If there is any conflict between these two criteria, then these must be resolved, negotiated or tolerated.

Reliable operation of the Microgrid protection system requires sufficient fault current capacity of the stand-alone Microgrid so that all the overcurrent devices within the Microgrid get a fault current magnitude at least three to five times more than the maximum load current. Fault current to rated transformer current ratios lower than three will also violate the transformer protection requirements of NEC 450. This can be achieved only if the Microgrid contains a large percentage of synchronous generation or inverters with high fault current delivery capability. For too low-fault currents, new protection schemes that are not based on overcurrent sensing must be developed and installed, in spite of some uncertainty regarding their cost effectiveness and efficiency.

High speed of operation of the protective devices is very crucial to reliable operation of the Microgrid protection system. Thus, high-speed communication between the utility sub-station and the main incoming circuit breaker at the PCC of the Microgrid should be established for operation of the previously existing equipment that may not be tolerant to spurious separations. Moreover, a solid-state circuit breaker may have to be installed at the PCC if a separation time less than 50 ms, i.e. three cycles (as per SEMI F47), becomes essential for Microgrid viability. For high-speed tripping, very high-speed relaying (less than half cycle) with very fast tripping vacuum circuit breakers may be another good option if these are available at cheaper prices.

Co-ordination amongst the protective devices at PCC, the utility sub-station and the individual microsources should be achieved through an intelligent PCM included in the CC for maintaining reliable operation of the Microgrid and minimise separation from the utility. This may require developing a distribution system version of the pilot wire line differential scheme used in transmission systems. Development of protection system and the PCM would also require development of software-simulated and laboratory-scale Microgrid models for studying the voltage and current dynamics of the Microgrid before, during and after a fault.

Chapter 6 discusses the development of power electronic interfaces for microsources and their controllers.

Chapter 6

Power electronic interfaces

6.1 Introduction

The microsourses are quite capable of contributing significantly to the generation augmentation. Power electronic interfaces are used for preferred microsourses, viz. micro-CHPs, wind turbines, PV-arrays and fuel cells. It not only generates utility grade AC power, but also facilitates their overall integration in Microgrids. However, these interfaces are quite costly for their complicated technology and system packaging.

Power converter designs are normally customised for achieving economic performance. The applicability of electric power converters can greatly be enhanced by proper design to make them rugged, cheap, reliable and interchangeable. Recent trends in the design of power electronic converters include the integration of several components similar to computer architectures and digital electronics. In order to increase the applicability of power electronic converters in distributed power generation and Microgrids with economic viability, research is being focused on the development of modular architecture. It leads to systematic power electronic solutions by the use of pre-engineered components through mass production.

This modular approach has been applied to design Bricks-Buses-Software (BBS) framework as proposed by Power System Engineering Research Center-Wisconsin (PSERC) and Wisconsin Power Electronics Research Center (WisPERC). As evident from the nomenclature, this framework consists of three components, viz. (i) modular converter components known as bricks, (ii) connecting elements known as buses and (iii) interfacing elements known as software. The technical and implementation issues of this framework are discussed in the following sections with its advantages and limitations.

6.2 Background

The progress in the field of design and development of electric power converters has been lagging behind that of very large scale integration (VLSI) microprocessor design and microcomputer systems. The advancement in the field of digital electronics and computer architecture in engineering, manufacturing and system design

is quite comparable to that of the power electronics field. The standardised computer architecture bus interfaces provide the framework for fast development of computer industry. This has inspired the power electronics industry to formulate a standard framework in its design like the design of VLSI and computer architecture. The background and its two subtopics – standard computer architecture and VLSI – are beyond the scope of this book. Nevertheless, in the following two sections standard computer architecture and VLSI have been briefly discussed to visualise the rapid growth of computer architecture in contrast with the slow progress of power electronics industry.

6.2.1 Standard computer architecture

Standard computer architecture consists of a set of buses to interconnect the main processor to other peripheral devices and system components such as memory and I/O devices. It results in higher flexibility and lower cost. A bus is defined as a set of dedicated low impedance lines to communicate control, data and address information enabling straight interconnection between central processor and peripherals. The bus-centred approach is very compact and cost-effective because it connects all subsystems directly to the central processor. The manufacturers of computer peripheral devices can avail the advantage of product economy due to their compatibility with several computer brands by virtue of industry standard bus architecture. Thus, a computer system becomes highly flexible having the choice to select its components from a range of manufacturers, for both new installations and replacements. However, a major drawback of this approach is the bottleneck in data communication through the bus, which is normally taken care of by data multiplexing technology. Besides, this approach forces the customised products out of market leading to another bottleneck in accommodating specific application requirements that cannot be catered by the available industry standard bus architecture.

The bus-centred approach for computer systems and that for power electronic converters are quite different. In computer systems bus characteristics are defined by bandwidth and latency, whereas in power electronic converters it is done by power throughput and power density. Bus scalability is also of paramount importance because of the requirement of gradually increasing power ratings of the converters. Hence, this new venture in power electronic technology must be carefully implemented unlike computer industry for taking care of all the aforesaid factors.

6.2.2 Very large scale integration (VLSI)

In the design of microprocessors, VLSI technology has revolutionised the manufacturing process towards vertical process orientation. The same technology can be applied in the manufacture of electric power converters too. In VLSI technology the designers can describe the system at a high level. Software-based automated engineering process might produce pattern generation files and wafer fabrication layout information leading to foundry process to produce the specified

integrated circuits. In this vertical orientation of the design process, the designers can design the system at function level without specifying any process technology. The production of power converter might also be oriented in a similar manner by specifying the design parameters at function level producing a range of standardised components within the rules of architectural framework. The process implementation needs to define the standardised components and connective frameworks in the design and manufacturing environment.

6.3 Power converter trends

The developments in manufacturing process of power electronic converters are lagging behind that of computers and microprocessors. A major challenge for power electronic converters is their high power rating. The types and ratings of power converters are quite large, but the production process is similar. Industry requirement has led to custom design and power modules integration in the manufacture of power converters.

6.3.1 Custom design and manufacturing

The custom design and manufacturing of power converters are application-oriented and tailor-made. Hence, these change for different applications. For accuracy in converter performance, the product design requires circuit simulation and printed circuit board (PCB) layout by suitable software package. Besides, it requires finite element analysis for thermal and electromagnetic behaviour and solid modelling for packaging and assembly. Most of these production layers are normally executed manually in the custom design leading to high cost. The custom design and manufacturing are economically viable only when the converters are relatively of small size and the production volume is very high. The cost of manufacturing setup is compensated when the production volume is very high. In custom design and manufacturing, the replacement of non-functional faulty components becomes too costly an option. Hence, small size converters are practically economical to replace the whole converter unit in case of any component or subsystem failure.

High-rating power converters are used in DG systems as power supply back-up and power conditioning, and in high power electric drives. These are quite large in size and the production volume is very small, making custom design and manufacturing very expensive. Besides, replacement of the whole converter and repair of the converter for any component or subsystem failure are both very costly. Thus, custom design and manufacturing of larger converters are not economically viable.

6.3.2 Power module integration and component packaging

Packaging of power switching devices is an efficient way to improve power converter performance, reliability and power density. Integrated power modules (IPM) incorporate power electronic components like insulated gate bipolar transistors (IGBT) and anti-parallel diodes. These are put in one package with some or all the

ancillary power electronic functions, viz. gate drive, protection, auxiliary snubbers, logic, isolated power supply, sensors and digital/analogue control. System components like inductor, capacitor, filters, fans, heat sinks and connectors cannot be integrated into IPM to avoid high assembly cost. Power module integration and component packaging are mainly influenced by application market. This leads to incompatibility and uselessness of readily available factory *de facto* standard packages. Thus, the integration of components to achieve an electrically, thermally and volumetrically compact design is very difficult. It is now realised that co-ordinated packaging efforts are necessary for implementation of IPM, that also partially, for cost-effective low-/medium-power converters.

6.3.3 *Power electronic building blocks (PEBB)*

Power electronic building blocks (PEBB) approach is used to implement increased power density in multifunctional plug-and-play modules for universal power processors. It proposes modular components of power converters as an extension of IPM development. PEBB approach of component integration is also limited to very selective less-flexible power converter applications. Nevertheless, its co-ordinated approach of integration and virtual test bed (VTB) software engineering environment are good guidelines for BBS framework.

6.3.4 *Packaging framework design*

Packaging framework design mainly focuses on power electronics packaging, design and development without exploring the prospect of system standardisation. However, it results in several ideas that are useful in BBS framework approach. This is a four-dimensional design approach incorporating user requirements, packaging levels, interfaces and pathways, and four forms of energy. This framework is broadly applicable because it addresses high degree of abstraction, different issues of converter scale and layering, converter elements and connective paths and different forms of energy and energy flow. An object-oriented software for design automation of power electronic devices might be the foundation of a more comprehensive software tool for automated design of integrated modular BBS framework.

6.4 **Bricks-Buses-Software (BBS) framework**

Power electronic converters basically condition the source power as per load requirements. Previously, in developing power electronic converters, device improvement issues like smaller size and increased switching frequencies were of prime consideration as compared to the ancillary design aspects like connecting pathways, interface mechanisms, packaging and thermal management. Recently, the ancillary design aspects have gained more focus because of their profound influence on designing low-cost high-performance converters.

BBS framework is achieved by abstracting the engineering process to a high level in three components, viz. (i) an array of modular components i.e. bricks, the constitutional blocks of power converter; (ii) a range of connective bus architectures

for straightforward interconnection of bricks and (iii) a comprehensive software environment for defining power converter at an abstracted level and translating these information into engineering and manufacturing files as per predefined bricks and buses. BBS framework can be termed power converter design compiler. Electrical, thermal and mechanical interconnections of converter components depend mainly on brick and bus specifications as well as on geometric compatibility in common face alignment. It needs to ensure proper functional operation of each brick and prevent any cross-brick interference, electrical loading, electromagnetic interference, data loss, excessive heating and mechanical misalignment. The aforesaid engineering process executes automated translation of topological converter design into hardware specifications. This can be readily used to manufacture the power converter based on standardised bricks and buses. The BBS framework is helpful in reducing cost, increasing serviceability and bringing about performance improvement and cleaner design and manufacturing cycle.

6.4.1 Bricks as modular components

The BBS framework approach of power converter design depends on commercial availability of bricks as modular components. But its successful implementation is based on the degree to which power converter subsystems can be reengineered and repackaged into bricks. This design facilitates the efficient use of volume for high power and capacitance density as well as straightforward bus connectivity through common face alignments. Typical converter elements like power semiconductor modules in PCB, ancillary gate drive circuitry and gate drive power with attached rectangular air-cooled heat sink can easily be accommodated in designed brick-shaped element. However, some elements must be reengineered to be converted into brick-shaped components. Some useful representative converter bricks are briefly discussed in Sections 6.4.1.1–6.4.1.7.

6.4.1.1 Power switching brick

The power switching brick is the main element of major power converters. It contains power flow controlling semiconductor devices, viz. Thyristors, GTOs, IGBTs and MOSFETs. The shape and packaging of power switching brick depend on the semiconductor technology. A power converter assembly may have different power switching bricks for rectification, inversion and DC voltage conversion. The bricks may also be operated in tandem for achieving necessary power ratings. Besides, they may house some ancillary components like gate drive, power device protection, isolated power supply, signal isolation devices, heat sinks, sensors, voltage decoupling capacitance and snubber networks. IPM or PEBB switching module would be a good foundation for power switching brick for avoiding unnecessary complications in heat dissipation. Electric power connection to power switching brick is made through power bus, whereas thermal bus connection is dependent on the extent of heat generation. Heat generation is again determined by the power level and the characteristics of thermal extraction medium. The design and packaging of power switching brick should avoid any cross coupling and electromagnetic induction by incorporating local voltage decoupling capacitance

and suitable snubber circuit. Its thermal management should prevent any heating of adjacent bricks. Power switching bricks are designed to operate as per the signals from control brick via control bus and to produce feedback information to the control brick by internal sensors. The sensors are normally designed to act on device voltages, currents, fan speeds, case temperatures, etc. Auxiliary power brick supplies necessary power to the power switching brick via auxiliary power lines of the control bus.

6.4.1.2 Voltage stiffening brick

Voltage stiffening brick consists of electrolytic capacitors for DC decoupling applications and other suitable types for AC decoupling and high-frequency filters. This brick may house passive elements of a PI filter section to limit capacitor ripple current as well as voltage and current sensors for feedback control. Electrolytic capacitors are principally cylindrical and hence housing these capacitors in cubical brick is not efficient in terms of volume. But it is not impossible to reengineer and repackage capacitors into high-density brick-compatible shapes. Electrical power connections are made through power bus without any thermal bus connection, since natural air-cooling is sufficient for temperature control. For temperature control, explicit connections can be made to the thermal bus.

6.4.1.3 Transformer brick

Transformer brick consists of inductors and is used for current stiffening. Most inductors and transformers must be reengineered and repackaged for fitting into brick package. E-core transformers can be most efficiently fit into brick package. Electric power connections for transformer brick are made through power bus. Normally, thermal bus connection is not necessary for temperature control, but explicit thermal connections can be made through thermal bus for special thermal needs.

6.4.1.4 Control brick

Control brick is the software-based brain of power converter's BBS framework. It consists of digital computers like digital signal processors and microprocessors with ancillary components like memory, field programmable gate array (FPGA), logic isolation circuitry, external communication port for TCP/IP and wireless communications. Control brick communicates real-time data through control bus via control area network (CAN) and other suitable protocols. It receives power from auxiliary power lines of control bus. It needs shielding from electromagnetic interference for high-frequency switching. For any temperature control need, it can be explicitly connected to thermal bus. Distributed control architecture may be implemented for multiple BBS converters. It may also be interfaced with external control bus to execute real-time networked control.

6.4.1.5 Sensor brick

In case of insufficient embedded voltage and current sensors in other bricks, it might be necessary to have an explicit sensor brick. Sensor brick communicates

with the control brick through control bus after converting the collected data into digital format immediately after sensing point. This just improves noise immunity. Power is supplied to the sensor brick via dedicated power lines of control bus. It may also be connected to power bus and thermal bus for necessary measurement purposes.

6.4.1.6 Auxiliary utility brick

The auxiliary utility brick consists of ancillary converter hardware like electromagnetic interference filters, inrush current limiters, toggle switches, relays and circuit breakers. It may also house auxiliary power supply for supplying power to various converter subsystems such as control bricks, gate drives, embedded sensors, sensor bricks, power switching bricks, voltage stiffening bricks and transformer bricks via dedicated power lines of control bus. It is used to connect appropriate lines of power bus to power the auxiliary power supply. It may also be used to connect thermal bus for temperature control and control lines of control bus for control commands.

6.4.1.7 Input/output brick

Input/output bricks are used to house the input/output power connections and external converter connections. They may also accommodate connections for external control signals for control brick and external supply channels for thermal bus working fluid i.e. coolant input/output ports.

6.4.2 Buses as connective links

BBS framework approach needs high-speed connective links or buses for efficient communication to achieve high-performance operation from several converter bricks. The performance level of buses depends on the degree to which the converter connectivity can be separated on functional basis as well as on the degree of reintegration of buses with bricks. The connective architecture of buses provides the basis of modular construction of power converters on a functional basis like conventional computer architecture. Power converter bus architecture allows several buses to handle electric power, thermal energy removal, control and sensor information and structural support. Buses are designed as per geometric alignment of bricks along common converter faces.

6.4.2.1 Power bus

Power bus is the main connective link between different types of bricks as described in earlier sections. Power bus design depends on the power rating. Planar design is preferable because of its low per unit length inductance and resistance and excellent high-frequency conductivity. In case of higher power ratings, etched copper boards, stack of laminated copper bus bars may be used with specified connectivity as per high-level design process. Power bus connects different bricks straightforward through compression-related structural bus connections.

6.4.2.2 Thermal bus

Thermal bus extracts heat from hot spots by flow of coolant (air or water) and dissipates it to external sinks. Coolant flow across hot surfaces of bricks is controlled either by embedded control or with control bricks for minimising the effects of thermal loading. In low-power converters, bricks may have independent heat sinks with dedicated controlled fans. However, for high-power converters, thermal buses guide the coolant through network piping to the appropriate brick, thus ensuring reliable and leak-proof heat dissipation.

6.4.2.3 Control bus

Control bus communicates control and sensor data between bricks. Dedicated power lines of control bus carry auxiliary power from auxiliary utility brick. The control bus consists of conductors in the form of ribbon cable, PCB or printed flex circuit and connects bricks via snap-in connectors. It carries 5 V digital logic signals. Control bus also shields its lines from dv/dt and di/dt based electromagnetic induction of power bus. For special requirements fibre optic or wireless connections may be employed. The control bus data format is decided as per control brick convenience with synchronising master clock. CAN or other suitable protocols are used for networked control.

6.4.2.4 Structural bus

Structural bus is a mounting block to house the connections of several buses and bricks of BBS converter. Structural bus design depends mainly on physical converter size. Central beam structure or rectangular structure may be used for housing buses and bricks with standardised aluminium or steel channel pieces.

6.4.3 High-level software design environment

The BBS framework design is usually processed in a high-level computer aided design (CAD) environment. Graphical layout and key design parameters for the basic converter topology are translated into a power converter manufacturing file after providing sufficient information for the automated production of converter by fabrication house. The main design specification includes converter topology, basic control block diagram and design parameters like maximum power, voltage and current, switching frequency, filter bandwidths, voltage and current ripple limits, reliability indices and control objectives.

CAD translation engine produces converter manufacturing data (CMD) file as per basic converter definitions. The CMD file describes in detail the layers of VLSI digital system or PCB. It does not graphically describe a layout defining coordinates of a photo etching or exposure tool; rather, it contains a list of bricks used in the converter and necessary information for their connection through different buses. The fabrication house assembles the converter from CMD file using standardised BBS elements by bus fabrication and converter packaging assembly. To integrate any custom component in the design process, a brick definition file is introduced in the design library wherefrom the custom component can be manually inserted into the layout file. Afterwards, the layout translator automatically

integrates the manually selected custom component into the generated converter design.

In many cases the design process needs converter performance analysis before fabrication. The CMD file with converter element definitions may be used for verifying converter design at a lower level with the help of electric circuit viewer, thermal circuit viewer, control topology viewer, solid model viewer, etc. If necessary, the low-level converter design data can be extracted for simulation or finite element analysis by any software tool like PSPICE, SABER, EMTP, MATLAB-Simulink, SolidWorks, ProEngineer and I-DEAS to do any modification in the graphical layout for optimal tuning of converter design through iterations.

6.5 BBS framework issues

Several issues should be addressed for realising BBS framework. The approach of packaging elements with connective bus architectures has several benefits and drawbacks with regard to modularity; aspect ratio; parasitic inductance; and cross coupling and loading, including electromagnetic and thermal interference. These are discussed in Sections 6.5.1–6.5.4.

6.5.1 Modularity

Modularity of BBS framework approach lays the foundation of high-level design environment. It allows straightforward integration of converter elements into designs that are compact electrically, thermally and volumetrically. Component packaging standardisation makes component replacement and subsystem upgrading easier. Component packaging flexibility is also suitable for multiple converter applications leading to lower unit costs.

However, unlike custom design the modular approach is not optimum for any specific application. This results in high cost overhead. Medium- and high-power converters can accommodate this cost overhead with large volume of production but not low-power converters. Unlike microprocessor design processes, BBS technical specifications are not continuous in nature because of different converter elements and various manufacturing technologies. This again adds to cost inefficiency.

6.5.2 Aspect ratio

Aspect ratio is the relation between two characteristic lengths of converter element bricks. It is relevant for efficient packaging within a given volume. Efficient packaging of capacitance elements is problematic because capacitance size depends on voltage rating and ripple current to be handled and not much on aspect ratio. The height requirements are conflicting for different bricks, leading to mismatch in aspect ratio. This results in inefficient use of converter volume. Hence, the issue of aspect ratio needs to be addressed for volume efficient packaging of converter in BBS framework.

6.5.3 *Parasitic inductance*

Parasitic inductance is the unintended product of interaction between bus structure and modular components. It results in performance hindrance of BBS framework converter. The most common effects of parasitic inductance between semiconductor switching devices and decoupling capacitance on a DC bus are voltage spikes, resonance and increased switching losses due to high switching frequency. Bus-centred converter is preferred to custom converter layout as reduced conduction path length between voltage stiffening and power switching bricks results in less parasitic inductances. However, in BBS framework converter there are conflicting requirements for minimising the effects of aspect ratio and parasitic inductance altogether and a compromise needs to be made to minimise the aforesaid effects.

6.5.4 *Cross coupling and loading*

The bus connective architecture in BBS framework is intended to minimise unintentional coupling and loading between any combination of bricks and buses. The effects of electromagnetic interference and thermal interference due to neighbouring bricks must be minimised.

6.5.4.1 Electromagnetic interference

Electromagnetic interference takes place due to electromagnetic energy radiated from power switching bricks and power bus. The digital signal flow between control bricks and sensor bricks through control bus is affected by electromagnetic interference. Possible remedies may be electromagnetic shielding of sensitive bricks and buses for minimising connective path lengths between power bus, power switching bricks and control bus.

6.5.4.2 Thermal interference

Thermal interference may occur between power switching bricks, voltage stiffening bricks and other temperature-sensitive components of the BBS framework converter. Cooling system should effectively minimise thermal loading in closed loop thermal bus for multiple brick system. Feedback control loop in the closed loop thermal bus may be a possible solution for effective cooling of all the temperature-sensitive elements.

6.6 Conclusion

The BBS framework approach for converter design basically consists of three major elements, viz. (i) bricks – the modular components that are the elements to constitute practical converter topology, (ii) buses – the connective architectures that are the interconnecting links between bricks and (iii) high-level software – environment in which the converter is described at an abstracted level for generating automated engineering and design files.

There are tremendous possibilities of improving the recent converter design with this approach, the advantages being cost reduction, improved serviceability, accelerated performance improvement, cleaner design, manufacturing and assembly cycle.

For further research in this field, some processes must be planned in parallel, viz. (i) development of next generation power electronics design environment, (ii) development of mass customised manufacturing process as per design environment and (iii) development of plug-and-play control approaches on suitable platforms having compatibility with power conversion process.

Mention may be made that power electronics market is quite mature in its own right particularly for motor drives, UPS and several other converters. But the design and manufacturing for most of the existing power electronic devices are not based on modular approach unlike advanced computer and microprocessor architectures. Since the success of Microgrids is very much dependent on the use of efficient cost-effective power electronic interfaces, the modular approach for the manufacture of power electronic devices would be widely accepted with the progress of Microgrids.

Functioning of power electronic interfaces for Microgrids and active distribution networks is directly related to the development of supervisory control and data acquisition (SCADA) and communications infrastructure in the same area. Chapter 7 deals with SCADA and communications in Microgrid management.

Chapter 7

SCADA and active distribution networks

7.1 Introduction

Distribution network operators (DNOs) are used to apply supervisory control and data acquisition (SCADA) system in network management. The success of Microgrid and active distribution networks is dependent on the application of cost-effective and efficient SCADA system for communication and control of operation in the network management. With the increase in the DG penetration, network connections for individual distributed energy resources (DERs) are becoming complex day by day due to several network constraints, e.g. voltage limits and thermal overloads as well as hardwired connection complexities. The constraints and complexities are becoming barriers to connection of further generation, which necessitate active distribution networks and Microgrids for cost-effective solutions. It is a preferred solution as indicated in the statements of Office of Gas and Electricity Markets (Ofgem). The application of SCADA systems across networks with voltages 11–132 kV with proper active control model would be the best solution in Microgrids and active distribution networks.

DNO SCADA systems, Microgrid SCADA systems and communication infrastructure in the management of active networks are briefly discussed in the following sections of this chapter.

7.2 Existing DNO SCADA systems

DNO-based SCADA systems basically co-ordinate communications and control amongst remote sub-stations and control room. It remotely facilitates the operations of circuit breakers and motor-driven isolators.

First generation SCADA was in place in the 1960s with old telephone technology, change-of-state alarms and manned sub-stations.

Second generation SCADA used the 1970s technology with remote terminal units (RTUs) operated in polling mode to provide information to the control room.

Third generation SCADA started in the 1980s with advanced technology second generation systems having better bandwidth efficiency.

SCADA systems are mainly available for controlling networks at voltage levels higher than 6.6 kV with high-bandwidth local area networks (LANs) generally located at remote locations. SCADA functions might consist of data acquisition, data processing, remote control, alarm processing, historical data, graphical human-machine interface (HMI), emergency control switching, load planning tools for demand side management, etc. SCADA systems are quite secure and robust with diverse routes at higher voltage levels, e.g. 132 kV and more. Since DNOs operate in both dense urban and dispersed rural networks, DNO SCADA has to utilise available cost-effective communication channels with diverse characteristics namely analogue circuits, slower bands up to 2,400, duplicate routes for 132 kV key sites and multi-dropped with more than 10 RTUs per line. A combination of several communication circuits is used in SCADA, e.g. private pilot cables, rented fibre and copper circuits, mobile phone technology and radio. The existing communication structure is mainly based on copper cables that are not as reliable as optical fibre ones. But these fibre-optic cables are quite costly and not widely available in rural areas where most of the renewable DERs are based. Thus, communication infrastructure is a major challenge for DNOs for connecting both individual DERs and Microgrids.

DNOs use several RTUs with a variety of functions namely time tagging of switch changes, alarms with a maximum accuracy of 1 ms, digital outputs (DOs) with programmable pulse duration, intelligent relay connections and programmable logical sequences.

7.3 Control of DNO SCADA systems

Since the active network management depends on SCADA systems, the volume of data transmitted over long distances need to be reviewed before implementing the control scheme of SCADA. The increase in length of communication channel might lead to risk on reliable data transmission. Therefore, active network management solutions might be located at strategic sub-stations instead of remotely located DNO control rooms. Normally two control schemes, e.g. centralised control and distributed control, are used. The advantages and disadvantages of these control schemes are discussed in Sections 7.3.1 and 7.3.2.

7.3.1 Centralised SCADA systems

There are some SCADA functions that need to be controlled centrally, e.g. scheduling of load shedding sequences and demand side management. But the major challenge lies with the suitable communication infrastructure for reliable data transmission. The 33/11 V sub-stations might have RTUs in place but the 11/6.6 kV sub-stations might not have RTUs as well as any communication infrastructure. It leads to slow detection of switch changes having sluggish SCADA response. Centralised SCADA systems might have sequence capability, network diagram, asset database, hardware and software maintenance facilities, centrally managed configuration control, etc. that are helpful to

implement future intelligent sequential operations. However, it might suffer from the difficulties such as lack of cost-effective communication infrastructure, sluggish response leading to untimely sequential operations, testing bottlenecks for physical distances and risk of single point of failure.

7.3.2 *Distributed SCADA systems*

The distributed SCADA systems comprise small SCADA systems located at diverse sub-station locations. It could be advantageous with a single facility for management and generation of sequence schemes. These could be distributed through dedicated support and monitoring workstations. However, distributed SCADA systems might have the advantages of cost-effective modular repeatable logics, low-cost communication infrastructure with exception reporting radio system, better response time in switching operations, etc. But it has some difficulties and challenges namely incompatibility with central SCADA system, necessity of additional maintenance facilities, availability of suitable cost-effective management tool for multiple distributed operations, and requirement of field visits for logic modification with additional field staff. Nevertheless, the application is technology dependent and its suitability and cost effectiveness would mainly depend on repeatability and complexity of SCADA solution.

7.4 SCADA in Microgrids

SCADA in Microgrid is a medium-scale, distributed system to monitor and control electric power generation, heat generation, storage devices, distribution and other ancillary services. It consists of input/output (I/O) signal hardware, controllers, networks, communication, database and software coming under the purview of instrumentation engineering. SCADA basically refers to a central control system that monitors and controls a complete site or a system spread out over a long distance. The major control operations are automatically executed by RTUs and/or programmable logic controllers (PLCs). However, the host control functions are usually restricted to basic site override or supervisory level capability. The SCADA system always authorises an expert operator to execute any manual control, if necessary, for overriding automatic control functions. The SCADA system takes in necessary feedback signals from RTU and/or PLC via closed control loop for its monitoring and control purposes. Data acquisition begins at the RTU or PLC level with the communicated signals for meter readings and equipment states as per the needs of the situation. These data are then compiled, processed and made available to a control room operator through the HMI. The operator finally uses the data to make necessary supervisory decisions for adjusting or overriding normal RTU and/or PLC controls. Data can also be collected to build a commodity database management system (DBMS) for trending and other analytical work.

SCADA systems normally implement a distributed database in the form of a tag database that contains data elements known as tags or points. A point

represents a single I/O value monitored or controlled by the system. Points are of two types, e.g. ‘hard’ and ‘soft’. A hard point represents an actual input or output connected to the system, while a soft point is the result of logic and mathematical operations applied to other points. In most cases these are treated simply as points. Point values are normally stored as value–timestamp combinations after the value is recorded or calculated. The history of that point is a series of value–timestamp combinations. Sometimes, additional metadata are also stored with tags namely path to field device, PLC register, design time comments and alarming information. The SCADA in Microgrid is basically a distributed control system (DCS) that might be installed from a single supplier, but the common practice is to buy different components from prospective companies and then assemble them through Ethernet communication.

The detailed discussion on the SCADA systems is beyond the scope of this book. However, its basic functions are briefly narrated in the following sections for the understanding of its applicability in Microgrid and active distribution network management with advantages and challenges.

7.5 Human–machine interface (HMI)

HMI is the device that provides the processed data to the human operator for supervisory control actions. The HMI has always been an essential requirement to monitor and control multiple remote controllers namely RTUs, PLCs and other control devices in a standardised way. Normally, PLCs are distributed across a plant to execute programmed, automatic control over a process. PLCs make it difficult for the HMI to collect presentable data directly from them for operator’s information. The SCADA system provides processed data to HMI after gathering information from the PLCs as well as other controllers via a standard network. The HMIs are also linked to a database through DBMS for acquiring diagnostic data, scheduled maintenance procedures, logistic information, detailed schematics for a particular sensor or machine as well as expert-system troubleshooting guides. For a long period, major PLC manufacturers have been offering the integrated HMI/SCADA systems that mainly use non-proprietary open communications protocols. Various specialised third-party HMI/SCADA compatible packages are also available in the market for interfacing most of the major PLCs enabling engineers and technicians to configure HMIs themselves without using any tailor-made standard software packages. The main advantage of SCADA is its suitability to a wide range of applications starting from controlling of room temperature to nuclear power plants due to its high compatibility and reliability.

7.6 Hardware components

SCADA system consists of different DCSs namely smart RTUs and PLCs that are quite capable of executing simple autonomous logic processes without intervention of the master computer. The functional block programming

language, IEC 61131-3, is widely used for developing programs to run on these RTUs and PLCs. The IEC 61131-3 has minimum training requirements by virtue of its resemblance to historic physical control arrays unlike procedural programming languages namely C and Fortran. It enables SCADA system engineers to perform both the program design and implementation for execution on an RTU or PLC.

The four major components of a SCADA system are (i) RTUs, (ii) PLCs, (iii) master station and HMI Computer(s) and (iv) SCADA communication infrastructure.

7.6.1 Remote terminal unit (RTU)

One of the most important functions of SCADA system is to generate alarms in the form of digital status points indicating the value as either NORMAL or ALARM. An alarm is generated when certain preset conditions are fulfilled. This is generated to draw the attention of the SCADA operator to the part of the system requiring attention for some control action. Backup text messages are also sent along with an alarm activation for alerting managers along with the SCADA operator.

The RTU is a device used for interfacing controlled objects in the physical world for DCS or SCADA system by transmitting telemetry data to the system and/or altering/controlling the objects as per control messages received from the SCADA system or DCS. A typical RTU consists of a communication interface that may be serial, Ethernet, proprietary or any combination, a simple processor, some environmental sensors, some override switches and a device bus or field bus to communicate with devices and/or interface boards. Sometimes the device bus or field bus is used to interconnect RTUs with host systems as well as field devices. The interface boards are capable of handling analogue, digital or both types of I/O signals with different range of inputs, protection capability against voltage surges, intelligence level of the interface, etc. Some RTUs or PLCs are available with integral interfaces to be connected directly to the system without any bus interface in between monitoring and control of a few devices.

The interface boards are normally connected through wires to physical objects under control. In most of the SCADA applications, high-current capacity relays are connected to a DO board for switching field devices. Analogue inputs are usually of 24 V with a current range between 4 and 20 mA. The RTU converts these input data into appropriate calibrated signals to be fed into HMI or MMI (man-machine interface). The RTU uses DO board to execute any control switching operation as per the signals of SCADA or DCS system. Modern RTUs can execute simple programs autonomously without the intervention of the host computers in DCS or SCADA system thus providing necessary redundancy for safety reasons. Modern RTUs can modify their behaviour by toggling to override switches by maintenance operators thus ensuring safety in process operation and control. RTUs and PLCs are gradually overlapping in their operations incorporating similar control features offering proprietary alternatives and associated development environments.

7.6.2 Programmable logic controller (PLC)

The PLC is an electronic device used for industrial processes automation, e.g. control of machinery on factory assembly lines and is designed to operate over extended temperature ranges under dirty or dusty conditions. Their design ensures immunity to electrical noise, resistance to vibration and other impacts unlike general-purpose computers. It is a suitable efficient instrument to be used for SCADA in Microgrid too. The PLC is a collection of digital relays operated by software stored in battery backup dynamic random access memory (DRAM) or erasable programmable read-only memory (EPROM). It operates in real time to produce output results in response to input conditions within a time boundary to alleviate any failure in the control of processes. The PLC has special I/O arrangements for connecting the PLC to sensors and actuators for reading limit switches, analogue process variables, e.g. temperature and pressure and the positions of complex positioning systems unlike general-purpose computers. Some of the PLCs even use machine vision (MV) that is the application of computer vision to industry and manufacturing mainly focusing on machine-based image processing. It mostly requires digital I/O devices and computer networks to control other manufacturing equipment, e.g. robotic arms. It encompasses computer science, optics, mechanical engineering and industrial automation with a major application in the inspection of manufactured goods namely semiconductor chips, automobiles, food and pharmaceuticals just like human inspectors. MV systems normally perform predefined tasks, e.g. counting of objects on a conveyor, reading of serial numbers, searching for surface defects, etc. Manufacturers are keen to use MV systems for visual inspections that require high-speed, high-magnification, 24-hour operation and repeatability of measurements in place of human beings to alleviate high degree of human failure.

The PLC uses actuators to operate electric motors, pneumatic or hydraulic cylinders or diaphragms, magnetic relays or solenoids, analogue outputs, etc. with the help of either built-in I/O arrangements or external I/O modules attached to a computer network that plugs into the PLC. Initially PLCs replaced automated systems that would use thousands of relays, cam timers and drum sequencers because of their inherent programming capabilities to replace thousands of relays by single PLC. It can provide immense flexibility of operation through mere changes of software codes in the firmware, alleviating huge cost involvement in the PLC during any changes of controlled processes.

The functionality of the PLC incorporates sequential relay control, motion control, process control, DCSs, networking, etc. with commendable capability equivalent to desktop computers in data handling, storage, processing power, communication capabilities, etc. General-purpose desktop computers can also replace some PLCs in certain applications with the help of PLC-like programming combined with remote I/O hardware. As per the International Electrotechnical Committee (IEC) standards IEC 61131-3, PLCs can be programmed using standard programming languages with additional capability of

graphical programming notation, e.g. Sequential Function Charts (SFC) of some PLCs. The HMI is quite capable of providing the interface of the control activities of the PLCs between the controlled processes and the SCADA system. PLCs provide built-in communication ports for at least RS232 with options for RS485 and Ethernet Transmission Control Protocol/Internet Protocol (TCP/IP), Modbus being the lowest available common denominator communication protocol.

7.6.3 Master station and HMI computers

The master station of Microgrid SCADA consists of servers responsible for communicating with the field equipment (RTUs, PLCs, etc.) and the HMI workstations. One PC may be sufficient for smaller SCADA systems, but in larger SCADA systems, the master station may include multiple servers, distributed software applications as well as disaster recovery sites. All the data collected in the SCADA system are displayed through mimic diagram graphical display in master station with necessary HMI computer interface for necessary information and overriding control by the operating personnel. Mimic diagrams consist of either line graphics and schematic symbols representing process elements or digital photographs of the process equipment with animated symbols. The HMI software package for the SCADA system normally provides a drawing program that is used by the operators or system maintenance personnel for optimal modification of diagrammatic representation of the system in the interface. These representations may be simple or complicated depending upon the level of operational intricacy of the system under control. Nowadays all major operating systems are used for both master station servers and HMI workstations.

Nowadays RTUs need to operate on their own for controlling safety-related tasks without the intervention of master station or human operator. Normally, master station undergoes data analysis before sending any command to operators. Stringent safety standards requirements are now compulsory for master station and HMI software. SCADA hardware needs to be rugged enough to withstand temperature, vibration and voltage extremes. SCADA installations ensure enhanced reliability by redundancy in hardware and communications channels. Any functional failure of any part of the hardware can automatically be taken care of by backup hardware and the failed part is either replaced or repaired without any process interruption.

7.6.4 SCADA communication infrastructure

SCADA systems would generally use combinations of radio and direct serial or modem connections for its communication requirements. The Ethernet and IPs are predominantly being used over synchronous optical networking (SONET) particularly at large sites namely railways and power system applications. The main problem of SCADA applications is coming with the legacy of early low-bandwidth protocols due to lack of standardised protocols. Moreover, SCADA

protocols are becoming very compact day by day and many are designed to send information to the master station only through RTU polling. Typical legacy SCADA protocols are mainly vendor specific namely Modbus, RP-570 and Conitel. These communication protocols are all SCADA-vendor specific unlike standard protocols namely IEC 60870-5-101 or 104, Profibus and DNP3. These major communication protocols are basically standardised and mostly recognised by all major SCADA vendors. The extension of most of these protocols to operate through Internet TCP/IP, although avoiding Internet in SCADA communication, is a good security engineering practice for drastic reduction in the attack surface. Since RTUs, PLCs and other automatic controller devices were developed before the advent of industry-wide standards for interoperability, hence a multitude of control protocols were developed for proper communication of SCADA with the available controller devices. In order to lock in the customer base, the larger vendors always try to create their own protocols.

7.7 Communication trends in SCADA

The basic trend for PLC, HMI and SCADA software is more ‘mix-and-match’. In the early mid-1990s, the typical data acquisition systems that I/O manufacturers would provide were their own proprietary communication protocols over a suitable-distance carrier namely RS232C and RS485. In the late 1990s, the I/O manufacturers started to offer open communications through support of open message structures like Modicon Modbus over RS485 and by 2000 most of the I/O makers offered complete open interfacing such as Modicon Modbus over TCP/IP. The introduction of Ethernet TCP/IP in industrial automation, e.g. determinism, synchronisation, protocol selection and environment suitability is still a concern because of the security reasons particularly for a few extremely specialised applications. But majority of HMI/SCADA systems in the market are using Ethernet TCP/IP irrespective of security risks.

However, the Ethernet TCP/IP-based SCADA systems are very much vulnerable because of high probability of cyberwarfare/cyberterrorism attacks. Since most of the SCADA systems are of critical nature, such attacks may lead to severe financial losses by loss of data or actual physical destruction, misuse or theft. It might even result in loss of life either directly or indirectly. It is yet to notice the future trend of SCADA systems of either continuing with using low-cost and highly effective Ethernet TCP/IP for communication irrespective of very high chances of vulnerable attacks or opting for more secure architectures and configurations with the involvement of significantly high cost. Multiple security vendors have already begun to address these risks by developing lines of specialised industrial firewall and virtual private network (VPN) solutions for TCP/IP-based SCADA networks. The VPN is a private communications network often used by companies or organisations for confidential communication through a public network. The VPN traffic may use a public networking infrastructure namely the Internet on top of standard protocols, or a

service provider's private network with a defined Service Level Agreement (SLA) between the VPN customer and service provider. The VPNs can send data, e.g. voice, data or video, or a combination of these media, through secured and encrypted private channels between two predefined points.

7.8 Distributed control system (DCS)

The DCS is basically a control system for manufacturing system or process or any kind of dynamic system where the controller elements are distributed throughout the system with each component sub system under the control of one or more controllers unlike central controller system (CCS). Latest trend of SCADA is using DCS for communication and control. The entire DCS may be networked by communication and monitoring for use in industrial, electrical, computer and civil engineering applications to monitor and control distributed equipment with or without remote manual control leading to semi-automated or automated control paradigms.

The DCS typically uses computers with custom-designed processors as controllers with the facilities of both proprietary interconnections and open protocols for communication. The I/O modules are components of the DCS and the processor, being a part of the controller receives information from input modules and sends control command signals to output modules. The input modules receive information from input instruments of the controlled process and output modules transmit control commands to the output instruments in the field. The computer buses or electrical buses interconnect the processor and modules through multiplexers/demultiplexers as well as interface with the HMI, central control consoles and SCADA system.

The DCS is widely applied for control solutions in a variety of industries namely (i) electrical power grids and electrical generation plants, (ii) environmental control systems, (iii) traffic signals, (iv) water management systems, (v) refining and chemical plants, (vi) pharmaceutical manufacturing and (vii) sensor networks. Its broad architecture of solution involves either connections to physical equipments, e.g. switches, pumps and valves or connections via a secondary system, e.g. a SCADA system. Normally, the DCS solution does not require any manual intervention, but for interfacing with the SCADA it is necessary for skilled operators' intervention for better reliability. A typical DCS consists of distributed digital controllers capable of executing huge number of regulatory control loops in one control box, I/O devices being integral with the controller or located remotely via a field network with extensive computational capabilities in addition to proportional-integral-derivative (PID) control and logic and sequential controls. It may employ several configurable workstations, the local communication being handled by a control network with transmission over twisted-pair, coaxial or fibre-optic cables. A server with application processors may be included in the system for additional computational, data collection and reporting capability.

7.9 Sub-station communication standardisation

The IEC TC 57 (International Electrotechnical Committee (IEC) Technical Committee (TC)) was formed in early 1960s for the development of international standards in the field of communications between the equipment and systems for the electric power process and for incorporating telecontrol and teleprotection for the control of electric power systems. During the development, it was necessary to include not only equipment aspects but also control system parameters in SCADA systems, energy management systems (EMS), distribution management systems (DMS), distribution automation (DA), teleprotection and associated communications, etc. The experts identified the rising competition amongst electric utilities due to the deregulation of the energy markets and visualised the necessity of supporting the core processes of the utilities by integration of equipment and systems. It controls the electric power process to form integrated system solutions with interoperability and compatibility amongst the system components, interfaces, protocols and data models. Similar initiatives have also been taken by US-based Utility Communications Architecture (UCA) to create recommendations for implementation of interfaces, protocols and data models. The IEC TC 57 is likely to adopt these recommendations as a subset of the IEC 61850 standard. The key objective of communication standardisation is interoperability and interchangeability between vendors and systems with regard to functions, hardware and software interfaces, protocols, data models, etc.

One of the major challenges facing the development of sub-station protective relaying and metering systems is the communication capability of the component devices and keeping up with the continuous advancements and changes in communication methodologies. The main area of bottleneck and frustration of end-users is choosing the most cost-effective, low-risk and efficient option from several incompatible proprietary communication approaches and systems available in the market. Communication interfaces are mainly used to acquire data from AC voltage and current metering, power system and relay status reporting, event records and oscillographic data gathering for disturbance analysis, checking or changing the large number of settings in the flexible intelligent electronic devices (IEDs), etc. Some of the IEDs are also capable of executing basic remote control functions. In order to maintain own customer base, most of the competing IED manufacturers prefer to design their own unique approach in communication interface circuits including wide variety of types of serial ports for communicating to computers. Some of the IED manufacturers design networks to interface a number of devices in one sub-station to a single local or remote host, which is once again a unique approach that prevents the users to directly interconnect competing products. This scenario is inhibiting the end-users to avail the best service even if several efficient communication techniques are available in the market.

There is a persistent demand from the users to merge the communication capabilities of all of the IEDs in a sub-station more so in an entire power

network leading to wide-area network interconnection providing data gathering and setting capability as well as remote control. Besides, multiple IEDs can participate in high-speed data sharing and control commands to execute distributed protection and control functions. This cooperative control operation can supersede and eliminate most of the dedicated control wiring as well as costly special-purpose communication channels, resulting in centralised system monitoring and control. System integrators need to employ efficient and expensive gateway or translator devices to get all the data into a common format out of a variety of communications dialects.

7.10 SCADA communication and control architecture

The SCADA communication architecture should provide to and fro communication for data acquisition and control through sub-station IEDs to facilitate LANs within the microsource sub-stations. Plentiful and cost-effective products for this huge information technology (IT) market are capable of serving LANs in the sub-station. The Ethernet, as identified by the standard IEEE 802.3, is significantly powerful and popular in the communication area. However, the requirements for IT are grossly different for business offices and sub-stations. The office IT needs to provide very few data servers and several data clients with negligible peer-to-peer communications. On the contrary, IT in microsource sub-stations needs to provide LANs only to ensure several peer-to-peer communications for supporting many data servers with only a few data clients. Besides, the microsource sub-station operating environment requires the components and devices to be quite robust to ensure reliable communications in any adverse situations namely ice storms, direct sunlight and other natural calamities. Thus in general, this sub-station IT needs to ensure security, determinism, reliability and maintainability in its communication and control architecture.

7.11 Communication devices

Some of the frequently used communication devices are briefly discussed as follows:

- (1) *Hub* – The hub is a multi-port device for re-broadcasting all data that it receives on each port to all the other ports, operating at the physical layer without using any data for routing actions.
- (2) *Switch* – The switch is an intelligent multiplexing device that operates at the Data Link Layer of the Open System International (OSI) network model. It is used to monitor the data received at a port in order to determine its disposition. Any incomplete or indecipherable data are ignored by the switch while the intact data packets are re-broadcasted to other suitable ports. Some switches can operate on the Network Layer or Transport Layer packet information.

- (3) *Router* – It is an intelligent, multiplexing and complex device used for connecting two networks together. It operates at the Network Layer of the OSI network model and is programmed to ignore intra-segment traffic and to route inter-segment traffic to the appropriate destination segment.
- (4) *Server* – It collects data from all local devices to create a sub-station database and functions at the Application Layer of the OSI model. Data from the sub-station database is often used by a local HMI graphics package.
- (5) *Media* – Ethernet networks normally use as media either (i) specialised copper twisted-pair cable connections (BaseT) or (ii) fibre-optic cable (10BaseFL versus 100BaseFX). For (ii), the data rate indicators 10 and 100 stand for 10 megabits per second and 100 megabits per second, respectively.

The advantages of BaseT media area as follows:

- (1) Copper costs less than fibre.
- (2) The equipment connected by copper costs less than that connected by fibre.
- (3) Fewer special tools and skills are required to terminate copper.

On the contrary, the advantages for BaseF media that make them more suitable for sub-station communication applications are as follows:

- (1) It isolates equipment from hazardous and damaging ground potential rise.
- (2) It is immune to radio frequency interference and other electromagnetic interference.
- (3) It eliminates data errors caused by communications ground-loop problems.
- (4) It allows longer signal paths than copper connections.

7.12 Observations on SCADA and communication

Application of SCADA in Microgrid and active distribution network management entirely depends on the successful implementation of efficient and cost-effective communication infrastructure. A major challenge of SCADA implementation in Microgrid is the asset management and hence the compatibility with the existing DNO SCADA systems. It needs step-by-step development in active network management to overcome inherent limitations and restrictions of the existing SCADA systems and network constraints with modular and repeatable designs, robust, secure and cheap communications. The following observations might be made regarding the development and successful implementation of IEC 61850 based communications in SCADA systems:

- (1) *Protection communications* – A logical node (LN) is defined as a collection of data objects, data-set objects, descriptive attributes, report control

objects, log-control objects, log objects and a list of sampled values that define the boundaries of an entity and its state and behaviour. Each data object is explicitly and uniquely defined by name and function within an IED in a standard manner. Peer-to-peer messaging is achieved with two almost similar compliant messages, GOOSE (Generic Object-Oriented Sub-station Event) and GSSE (Generic Sub-station Status Event), collectively referred to as GSE (Generic Sub-station Event).

The standardisation of GSE messages ensures interoperability directly between IEDs employed for protection, interlocking and automation functions. Although the two messages, viz. GOOSE and GSSE, are somewhat different, they can both coexist on the network and provide interoperability between multiple devices that support GSSE and/or GOOSE. Bay LAN segments are used to keep network message processing to an appropriate minimum and thus to minimise the effect of failed and/or attacked networks.

- (2) *Interoperability amongst clients and servers* – Stringent design requirements at the IED level as dictated by IEC 61850 specification unnecessarily restrict the choice of IEDs and/or the available functionality of the bay LAN. Serially integrated LANs are fast and reliable. They help to reduce IED message processing to a minimum by physically isolating each IED from unnecessary traffic. Serial connections to IEDs within a bay Ethernet LAN create a hybrid LAN that allows the network designer to choose from all new and in-service IEDs including bay control units (BCUs), bay monitoring units (BMUs), bay protection units (BPUs), equipment monitors, weather stations, controllers, meters and battery monitoring systems. Thus, this would help to leverage the installed investments and also to use a wider selection of IEDs to develop sub-station automation systems.

IED communications within a hybrid bay LAN can use IEC 61850, other Ethernet protocols and/or other direct communication methods allowing access to relevant unexposed data. The bay level interoperability is realised through bay-oriented LAN segments with their own Ethernet switches. Data modelling is permitted within the standard to satisfy application requirements in power system apparatus management. Bay level interoperability permits end-users' choice for suitable bay LANs from vendors considering several performance criteria, e.g. functional, performance, reliability, availability and communications. Bay LANs may have different quantities of IEDs, LN addresses and GSE messages irrespective of functional equivalence. The initial designs focus on protection function and SCADA replacement, but future sophistication is likely to incorporate BCU communication with the other bay IEDs, thus providing a centralised data-processing environment. Data security and reliability also require the BCUs to support redundant, separate, physical Ethernet connections.

- (3) *Interoperability amongst existing control systems and bay LANs* – Centralised bay LAN control authorisation requires the BCU to communicate with the

BMU, BPU and other IEDs instead of, or in addition to, the IEDs communicating directly through the bay and station Ethernet switches to the Station Control Unit (SCU). Although IEC 61850 was previously designed specifically for IED quantities associated with sub-station control, current requirements call for the conversion of the IEC 61850 to legacy telecontrol protocols suitable for communicating to the remote control centre (RCC). Presently, sub-station LAN traffic is so high that LAN segmentation is necessary. Therefore, even if high-speed Ethernet connections between the RCC and sub-station are established, the RCC may not be capable of handling the process burden of communications directly to each IED. In that case, SCUs or BCUs must act as single points of contact to communicate data and control.

- (4) *Interoperability and interchangeability amongst clients and servers* – The IEC 61850 standard is of significant use in designing bay LANs in combination with IEDs. The required IEC 61850–IED interface can be developed by vendors up to customers’ satisfaction if the end-users can provide the IEC 61850 communication requirements. This implementation may not be sufficient to satisfy other end-users with different requirements asking for modification for each situation. Unmapped existing data within server IEDs need to be exposed to the IEC 61850 LAN during extension or augmentation of LNs. Integration efforts necessary for new operator interfaces, logic and control are significantly reduced with availability of standardised names and attributes. However, during the replacement of one bay LAN by another one containing different LN and GSE characteristics, reconfiguration of the database, logic and operator interfaces is necessary. Some end-users opt for interchangeability, i.e. replacement of any IED within one bay by another IED from any manufacturer. It may result in affecting the function of the co-ordinated system because of the use of different operating principles of different vendors. Hybrid LANs are capable of supporting interchangeability with many different IEDs at the IEC 61850 communication interface level creating appropriate LN and GSE interfaces in the new IED or within server IEDs on the LAN.
- (5) *System implementation* – Communications traffic on actual sub-station Ethernet LANs will not be limited to the protocols included in the IEC 61850 standard. In future, sub-station LANs will also be able to support traffic for web server applications in the IEDs and HMIs, non-standard vendor-specific IED protocols, Modbus IP and DNP IP, e-mail, legacy SCADA protocols such as IEC 60870, vendor-specific IED configuration and diagnostic applications, network analyser configuration and other diagnostic applications and telephone and camera applications. During implementation, it must ensure that the IEDs support the necessary data requirements and that their performance characteristics are in compliance with the other components to create a successful network. In future, it is likely that a flexible data mapping technology at the IED and bay level will make the physical application of an IEC 61850 network a much easier task.

7.13 Conclusion

The overall control and management of a Microgrid will have to be implemented through an intricate network of state-of-the-art IED devices interlinked through SCADA and high-speed communication channels. The central controller for Microgrids will perform functions like energy management, management of ancillary services, metering and protection co-ordination, grounding co-ordination, inter-tripping and fast tripping of circuit breakers through its Energy Management Module (EMM) and Protection Co-ordination Module (PCM). The entire operation of these modules will depend on high-speed communication and interoperability between the devices. Therefore, the development of communication standards for microsource sub-station automation with SCADA will have immense significance in designing, developing and implementing EMM and PCM for a Microgrid and an active distribution network. Standardised communication protocols will also help in the integration of several Microgrids to form a quality power park. The power quality and reliability of Microgrids and active distribution networks are discussed in Chapter 8.

Chapter 8

Impact of DG integration on power quality and reliability

8.1 Introduction

Modern electrical distribution systems are complicated aggregation of several components and numerous supply points. Their interaction with the power utility results in temporal variations in the characteristics of the power supplied to the customers. These variations usually appear in the form of very short to longer periods of outages or abnormal voltage and/or frequency characteristics. The quality of the supplied power is dependent on these variations, whereas reliability depends on the frequency of interruptions and outages.

Because of the introduction and widespread use of several sensitive electrical and electronic gadgets in commercial and industrial sectors, power quality and reliability issues have gained considerable importance in recent years. In order to safeguard the sensitive systems from the detrimental effects of power quality and reliability problems, several customers are investing towards procuring and installing custom power systems for conditioning and supplementing supplied power. This has led to the development of the premium power market for dealing with manufacturing, sales, procurement and installation of such power-conditioning equipments.

Distributed generation (DG) and integration of distributed energy resources (DERs) in the form of Microgrids can be used to improve power quality and reliability significantly to suit the needs of the customers. The potential services that can be provided by DGs and Microgrids are as follows:

- (1) The application of combined heat and power (CHP) systems help to enhance the overall energy efficiency of the power system. Moreover, the combined use of thermal and electrical energy can make CHP a more economic option for customers than buying electricity and fuel for thermal loads separately.
- (2) The generation of power locally with renewable or non-conventional energy sources like landfill gas, biomass/biofuels or photovoltaic (PV) systems (with or without heat recovery systems) becomes much more cost-effective to customers who are remotely located from the central generating stations.

- (3) The distributed generators can be used to reduce ‘demand’ charges by the local utility by operating only during peak periods. This application, known as peak shaving, helps to reduce both the customer’s overall energy costs by reducing peak demand and contribute to increasing the capacity of the central power system to serve other customers.
- (4) The distributed generators, capable of both grid-connected and stand-alone operations, can be employed to supply the priority loads during extended periods of outage or failure of the main utility grid. The transition from grid-connected to stand-alone modes can be effected seamlessly with the help of intelligent controllers so that there is minimum disturbance to the sensitive loads.
- (5) The distributed generators are able to provide high-quality premium power in terms of voltage and frequency through their sophisticated power electronic interfaces. This makes them suitable for providing power to extremely sensitive loads, thereby eliminating the needs to maintain separate uninterrupted power supply (UPS) systems at customer premises.

Thus, DG systems may be potentially used for enhancing both power quality and service reliability of an existing distribution system.

8.2 Power quality disturbances

Power utilities normally generate power in the form of alternating current (AC) and voltage with specified magnitude and frequency. Thus, most electrical equipment used by the customers are also designed to operate within a narrow band of voltage and frequency and any deviation from that band may lead to deterioration in the performance of these equipment. Power quality disturbances arise when certain deviations in magnitude and frequency of the power waveform beyond the specified range take place, creating problems to a customer. Analysis and assessment of power quality disturbances deal with the nature and frequency of occurrence of these variations, the types of loads mostly affected by them in terms of voltage and frequency sensitivity and the measures that may be adopted by the customers to safeguard their sensitive loads from these disturbances. The basic types of power quality disturbances are as follows:

- (1) Transients
- (2) Voltage sags and swells
- (3) Over-voltages and under-voltages
- (4) Outage
- (5) Harmonic distortion
- (6) Voltage notching
- (7) Flicker
- (8) Electrical noise

8.2.1 Transients

Transients are sub-cycle voltage disturbances in the form of very fast voltage change. They are characterised by frequencies ranging from tens to hundreds of kilohertz or even megahertz, while the voltage excursions may range from hundreds to thousands of volts. Transients are caused by the injection of energy due to lightning, electrostatic discharge, load switching, line switching, energising of a capacitor bank or interruption of an inductive load. The disturbances may be either impulsive or oscillatory (damped or undamped). Transients generated from direct lightning strokes have the greatest potential for damaging the utility- or customer-end equipment. Even a lightning strike in the vicinity of the lines can cause a significant transient. Transients arising from switching of power factor correction capacitors or from bulk load transfer switching may considerably hamper normal system operation. Moreover, capacitor banks in combination with load and line inductances may even create resonant circuits, leading to magnification of voltages due to harmonic sources. Transients may be eliminated by installing lightning arrester systems with separate grounds or transient voltage surge suppressors (TVSS) at the service entrance or cheaper dedicated systems for individual equipment. More sensitive equipment like computer systems would, however, require additional protection equipment like computer grade power conditioners and ferro-resonant line conditioners.

8.2.2 Voltage sags and swells

Voltage sags and swells are defined by variations in the root mean square (RMS) voltage magnitude from around a half cycle to several seconds. Sags refer to drops in the voltage while swells refer to voltage rises. A voltage swell is usually caused by single line-to-ground faults on the system resulting in a temporary voltage rise on the healthy phases, removal of bulk loads, switching on a large capacitor bank, etc. Equipment that are affected mostly due to voltage sags and swells are industrial process controllers, programmable logic controllers (PLCs), adjustable speed drives and robotic systems. Sags may corrupt data in microprocessor-based digital control devices while swells may damage device power supplies or may cause them to reset.

8.2.3 Over-voltages and under-voltages

Voltage sags and swells lasting more than 2 minutes are classified as under- and over-voltage conditions, respectively. Under-voltage conditions may be caused by sudden loss of lines or transformers, loss of adequate generation or loading a line beyond its capacity leading to low voltage at the consumers' terminals. Under-voltage conditions may cause overheating in constant speed motors due to the increase in current density as well as may hamper the functioning of electronic equipment. Longer-term under-voltages can usually be corrected by changing the tap settings on a load tap changing transformer.

Over-voltages, on the contrary, may occur due to problems with voltage regulation capacitors or transmission and distribution transformers. The problems are magnified when the over-voltage protection devices do not respond fast enough to completely protect all equipment downstream. Over-voltage problems are usually eliminated by installing voltage regulator devices at key distribution sites within the customers' premises such as the service entrance, the main distribution panel or the computer room panel or by installing UPS systems both to regulate the voltage to sensitive loads when utility power supply is available and to provide backup power in case of utility supply failure. Power utilities are designed to maintain voltage ranging from +10% to -10%, and are also provided with adequate over- and under-voltage and frequency protection systems to safeguard their equipment from abnormal voltage and frequency deviations beyond the specified range.

8.2.4 *Outage*

Outage or voltage interruption refers to the complete loss of voltage over a certain period of time. Outages may be short term (less than 2 minutes) or long term. These are normally caused by the opening of an isolating device (circuit breaker or line recloser) or by a physical break in the line. In case of any fault in a transmission or distribution feeder, the circuit breaker or recloser will immediately open in an attempt to clear the fault and the customers connected to the faulted feeder will experience one or more interruptions, depending on the type of fault and reclosing practices of the power utility. Temporary faults are usually cleared after one or two reclosing attempts and the normal supply is restored whereas for permanent faults, the circuit breaker locks out after a set number of reclosing attempts, resulting in a longer-term outage on that line. Customers on that line will experience sustained outages and those on parallel lines will experience voltage sags during the fault and subsequent reclosing attempts.

Outages to a system can be alleviated by installing UPS systems with battery storage and power-conditioning equipment, by storing mechanical energy in large high-speed flywheels or by arranging for multiple feeds to the facility. Protection from momentary interruptions however requires a static source transfer switch (SSTS). Protection from sustained outages (beyond the energy storage capacity of UPS or battery systems) can be provided by on-site generation from diesel generator sets or low emission distributed generators based on non-conventional/renewable technologies.

8.2.5 *Harmonic distortion*

Harmonic distortion arises when the shape of voltage or current waveform deviates from the standard sinusoid. Harmonic distortion implies that apart from standard power frequency component, higher-frequency components are also present in the power flow. These components can degrade equipment performance and may even cause damage to it. Some possible problems caused

by harmonics are overheating of distribution transformers, disrupting normal operation of electronic equipment and system resonance with power factor correction banks. Potential sources of harmonics may be computers, lighting ballasts, copiers and variable frequency drives. Harmonic disturbances may be avoided or controlled by using equipment like 12-pulse input transformer configuration, impedance reactors or passive and active filters.

8.2.6 Voltage notching

When silicon-controlled rectifiers (SCRs) are used in electrical control systems, line voltage distortion in the form of ‘notches’ may occur in the waveform. Line notches typically occur in the waveform either during SCR commutation or when a single-phase SCR is turned off and the next one is turned on. During this small period of time, a momentary short circuit exists between the two phases, resulting in the current rising and the voltage dropping. This appears as a notch in the voltage waveform. The most severe and damaging form of notch is the one that touches the voltage zero axis. The types of equipment that frequently use SCR control schemes and experience notching include DC motor speed controls and induction heating equipment. A voltage waveform with a typical line voltage notch is shown in Figure 8.1.

Proper functioning of various electronic equipment is based on the detection of zero crossing in the voltage waveform. Some equipment need to be triggered at the zero crossing in order to avoid the possibility of any surge currents or inrush currents while some, like digital clocks, use the zero crossing for an internal timing signal. Notches touching the zero voltage axis may appear to be a zero crossing to such equipment, thereby causing them to malfunction. Sensitive equipment connected to the same voltage source as the equipment producing the notching can be protected by installing a 3% impedance reactor which eliminates multiple zero crossing and mitigates interference with neighbouring equipment.

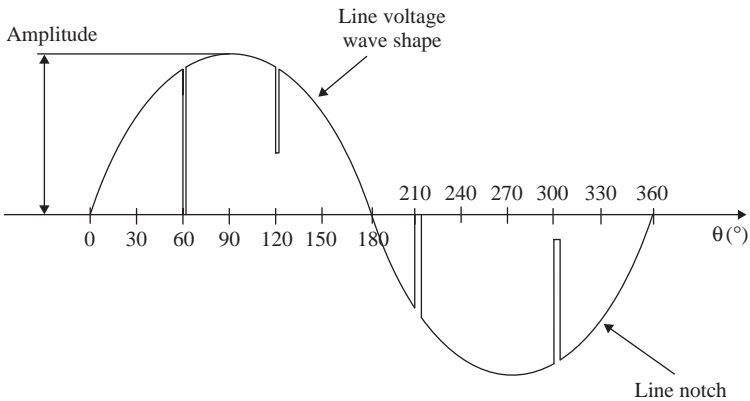


Figure 8.1 Voltage notching

8.2.7 *Flicker*

Flicker is defined as a modulation of the voltage waveform at frequencies below 25 Hz, detected by the human eye as variation in light output from standard bulbs. Voltage flicker is normally caused by arcing on the power system from welding machines or electric arc furnaces. Flicker problems can be eliminated by installing filters, static VAR systems or distribution static compensators.

8.2.8 *Electrical noise*

Electrical noise is defined as a form of electromagnetic interference (EMI) caused by high-frequency, low-voltage signals superimposed on the standard signal in a line. Frequencies of these signals may vary from the range of kilohertz to megahertz while magnitudes may be up to 20 V. EMI adversely affects telecommunication processes and hence is called noise. It arises from a variety of natural and artificial sources like lightning, static electricity and solar radiation, presence of power frequency transmission lines in the vicinity, automobile ignition, high-frequency switching in power electronics devices and fluorescent lamps. Equipment that are adversely affected by noises are computers, industrial process controls, electronic test equipment, biomedical instruments, communications media and climate control systems. The impact of noise may be reduced by installing radio frequency line filters, capacitors or inductors at the equipment level.

The impact of power quality disturbances on equipment operations depends not only on the type of electricity-using equipment in place but also on the frequency of occurrences throughout the year. Even when the duration of typical voltage sag or interruption is very brief, the impact on customers varies widely depending on the voltage or frequency sensitivity of the equipment. Most sensitive customers may be adversely affected for several hours. Studies have shown that almost half of disturbances are voltage sags/swells while the next most common problem is harmonic distortion followed by wiring/grounding problems at the facility. It should, however, be remembered that many power quality problems do not result from the utility system practices rather these may arise from the customer's own power-using equipment or the power use of a neighbouring customer.

8.3 Power quality sensitive customers

With the advent of sophisticated voltage- and frequency-sensitive electrical and electronic gadgets, supervisory control and data acquisition (SCADA) systems and computerised process control systems in commercial and industrial sectors, power quality and reliability issues have currently gained considerable importance as a major criterion for judging quality of service. In order to safeguard the sensitive systems from the detrimental effects of power quality and reliability problems, several customers are investing towards procuring and installing custom power systems for conditioning and supplementing supplied

power. This has led to the development of the premium power market for dealing with manufacturing, sales, procurement and installation of such power-conditioning equipment like UPS systems, battery and flywheel storage systems and diesel generator sets. The possibility of using environment-friendly DG technologies like microturbines, solar and wind power, fuel cells for improving power quality and reliability, either as stand-alone systems or integrated in the form of Microgrids, are also being explored.

As discussed in the Section 8.2, power quality disturbances occur when the voltage waveform supplied by the utility fails to conform to the standard sinusoidal wave shape of constant amplitude and frequency. The ultimate form of power quality disturbance is sustained outage or complete loss of voltage at the customers' terminals. The economic impact of these outages varies widely according to class of customers or according to the sensitivity of equipment used by a specific customer. Customers, who cannot afford to be without power for more than a brief period, usually install on-site standby generator sets to provide backup power to the priority loads during supply interruptions. On the contrary, the customers who have to suffer from severe economic losses due to any disruption of supply or variation in power quality generally install UPS systems along with associated power and conditioning equipment to eliminate the effects of surges, sags, harmonics and noise.

Customers with a need for true premium power systems include the following:

- (1) *Mission critical computer systems* – Banks, depository institutions, financial companies, stock markets, investment offices, insurance companies, computer processing companies, airline/railway reservation systems and corporate headquarters that need to protect their computers, peripherals and computer cooling systems.
- (2) *Communications facilities* – TV/radio stations, telephone companies, Internet service providers, cellular phone stations, repeater stations, military facilities and satellite communication systems that must protect their computers, peripherals, antennae, broadcasting equipment and switches.
- (3) *Health care facilities* – Health care facilities like hospitals and nursing homes that need support to maintain critical life support systems, medical equipment and ensure proper maintenance of critical heating, ventilation and air conditioning (HVAC) environments.
- (4) *Large photofinishing laboratories* – These must protect their computers and photofinishing equipment.
- (5) *Continuous-process manufacturing systems* – These manufacturing systems in paper, chemical, petroleum, rubber and plastic, stone, clay, glass and primary metal industries for whom any supply interruption would result in loss of production.
- (6) *Fabrication and essential services* – These services and all other manufacturing industries plus utilities and transportation facilities such as railroads and mass transit, water and wastewater treatment, and gas utilities and pipelines.

8.4 Existing power quality improvement technologies

Power quality can be controlled or improved at any point in the power system and to any degree starting from wide system improvement measures undertaken by the utility to employing devices for individual equipment at the customer level. Since power quality sensitive customers can only exert indirect and limited control over utility operations or the design of their equipment, they can only take measures on their side of the meter to protect their loads against any adverse effects of power quality disturbances, by connecting power-conditioning equipment. These equipment help the customers to insulate their loads and system from variations in power quality in utility supplied power or to mitigate power quality disturbances emanating from their own equipment. Customers may choose to protect their entire load at the electric service entrance or sensitive sub-circuits with individual circuit protection, or individual operations and controls through individual equipment protection.

The protection level depends on the size and type of priority load and the power-conditioning equipment may be categorised as follows:

- (1) Small-scale equipment (less than and up to 3 kVA) includes low-voltage, single-phase power quality protection equipment for point-of-use applications protecting individual equipment such as personal computers (PCs) or logic controls for larger equipment. This type of equipment includes the following:
 - (i) UPS
 - (ii) Single-phase TVSS
 - (iii) Single-phase power conditioners, isolation transformers and voltage regulators
- (2) Medium-scale equipment (less than and up to 100 kVA) is used to protect the low-voltage distribution system (240–600 V) within a facility. This equipment is typically located at the service entrance panel boards, or supplying a feeder or branch circuit. Typical equipment in this category includes the following:
 - (i) Single-phase UPS (3–18 kVA) and three-phase UPS (up to 100 kVA)
 - (ii) Three-phase TVSS except for revenue demand meter-mounted units
 - (iii) Three-phase power conditioners: voltage line conditioners, isolation transformers, power distribution units, voltage regulators, motor generators, and active and static harmonic filters
- (3) Large-scale equipment (greater than 100 kVA) is designed for use at the service entrance of the facility. This scale of equipment may be installed outdoors in pad-mounted enclosures or in a customer-owned sub-station. Large-scale equipment includes the following:
 - (i) Energy storage systems including battery energy storage, mechanical storage systems such as flywheels with electrochemical capacitors
 - (ii) Large-scale UPS
 - (iii) Low-voltage static transfer switches (less than 600 V)

- (iv) Medium-voltage static transfer switches (less than 35 kV) and customer power products such as static-series compensators/dynamic voltage restorers (DVRs), static shunt compensators and static circuit breakers.

8.4.1 Alternative power supply technologies

Customer service reliability and supply power quality can be improved by having an alternative source of power. This power source may be a second utility feed, a standby generator, or a DG system. The improvement of power quality and reliability is dependent on second power source connecting technology. The types of switching technology are as follows:

- (1) *Manual transfer switch* – It needs adequate personnel to manually switch from one source of power to the next. It prevents any long-term outages because manual switching takes a few minutes.
- (2) *Automatic transfer switch* – It senses a fault in the primary feed and automatically switches to the secondary feed. A successful switching may cause a momentary disruption of power even in case of unaffected secondary feed. This transfer may require more time in case the secondary feed is a standby generator depending on the start-up capability of the equipment, e.g. it takes about 10 seconds for diesel generators. In case of already running distributed generator system, it may take a few cycles or seconds to dispatch power at the correct setting for the load demand. It protects against long-term outages, but cannot protect sensitive customers from sags and momentary outages.
- (3) *Static source transfer switch* – It is very high-speed switching taking about 4 ms. It uses solid-state switches leading to seamless transfer from one power source to another. But this rapid switching needs the secondary power source to be always ready to pick up load. Thus, a standby generator is useless for static source transfer switching application without any UPS backup. In this case, the second utility feed would provide protection from all distribution level utility faults but would be unable to protect the customer in the event of sustained transmission system failure.

8.4.2 Power-conditioning technologies

In this section some of the power-conditioning equipment are discussed. These are used to improve the power quality at a customer site.

- (1) *Transient voltage surge suppressors* – TVSS are used to provide protection against lightning strokes and other voltage surges. They are usually metal oxide varistors (MOVs) available as small-scale plug-in surge suppressor equipment for PCs and small electronic devices as well as large-scale equipment for protecting an entire facility or critical circuits.
- (2) *VAR compensators* – Unstable grid conditions like voltage sags and swells may be caused due to uncompensated reactive power in the system leading

to damages by high currents and overheating of customers' equipment. Voltage fluctuations also tend to reduce the life expectancy of equipment. Therefore, following reactive power compensation technologies are employed to restore and maintain voltage stability:

- (i) Synchronous condenser
 - (ii) Fixed capacitors banks placed near large inductive loads
 - (iii) Thyristor-switched capacitor (TSC)
 - (iv) Thyristor-switched reactors (TCR)
 - (v) Static VAR compensator (SVC)
 - (vi) Static synchronous compensator (STATCOM)
 - (vii) Active VAR compensator
- (3) *Dynamic voltage restorer* – DVR provides the system with adequate buffering to ride through temporary disturbances such as voltage transients like dips, sags and swells. It is connected in series between the grid and protected load and stabilises the voltage at the customer's systems during transients caused by faults in the transmission or distribution system. The DVR can be designed for any voltage and load requirements but is best suited for medium- and high-voltage applications as in case of industrial and large commercial customers. Energy storage for up to 300–500 ms sag is provided by the capacitor banks in DVR.
- (4) *Isolation transformer* – Statistically shielded isolation transformers are used to shield sensitive loads from EMI. Such loads include sensitive electronic and computerised equipment used in medical and surgical rooms or in very precise process controls. The isolation transformers protect these loads against indirect contacts without interrupting the circuit upon an initial ground fault. Hence, these are preferred for installations where a sudden interruption of load is undesirable and automatic interruption is strictly prohibited.
- (5) *Motor–alternator sets* – Motor–alternator technology is used as a very efficient 'line conditioner' providing both voltage stabilisation and noise rejection. The set consists of an AC or DC motor coupled to a generator or alternator that supplies power to the priority loads during power failures. It not only rejects common-mode noise, but also prevents any line-to-line noise from entering the output because of the shaft or belt connection. The rotary UPS systems use motor–generator sets with their rotating inertia to ride through brief power supply interruptions. In this system, the generator provides true isolation of the power so that no abnormalities pass through the UPS apart from some slight harmonics produced by characteristics of the generator's windings.
- (6) *Uninterruptible power supply* – In the double-conversion or premium UPS system, the AC input power is rectified to DC power to supply the internal DC bus of the UPS. The output inverter converts the DC power to regulated AC power at standard power frequency to supply the priority load. During normal operation (when grid power is available), batteries attached to the DC bus are float charged while during grid power failures, the

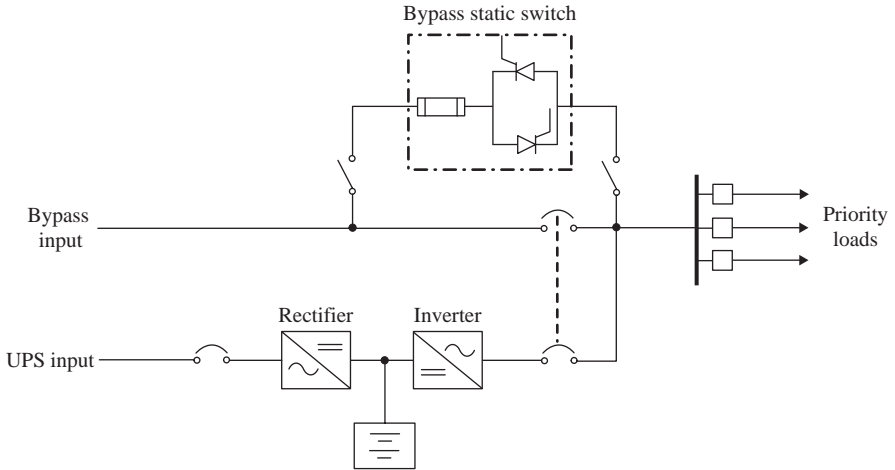


Figure 8.2 Scheme for double-conversion UPS system

batteries provide power to the DC bus to support the inverter and the priority loads. The configuration of a double-conversion UPS is shown in Figure 8.2.

This UPS system consists of the following subsystems:

- (1) *System controls* – The system control logic automatically manages critical bus operation and monitors performance of the UPS module providing interactive display and port communication with external devices through microprocessors and dedicated firmware.
- (2) *Rectifier/charger* – The rectifier/charger converts utility power from AC into DC to charge the battery and provide the DC input to the inverter with low ripple DC power preventing harmonic current distortion in source power.
- (3) *Inverter* – The inverter converts DC power into the precise AC power required to supply a sensitive priority load. It converts DC power into a pulse-width-modulated (PWM) waveform with easy filtering to produce a clean sine wave output minimising the harmonic voltage distortion caused by typical switching power supplies and other non-linear load components.
- (4) *Static bypass switch* – It is solid-state bypass switch that transfers the load quickly from the inverter to the bypass AC power source during a severe overload on the system or a failure within the UPS. It takes place without any interruption of power supply to the load. The system needs to include redundant circuits to detect and isolate shorted SCRs in the static bypass switch.
- (5) *Fuses* – These are installed in series with the static bypass circuit for reliable overload protection in case of any catastrophic output condition. The static switch SCRs are sufficiently rated to handle the fuse-blowing current.

- (6) *Bypass circuit* – It consists of a motor-operated circuit breaker in parallel with a solid-state switch and associated synchronising and control circuitry to transfer the load to/from the bypass source.
- (7) *Battery energy storage system* – It is used as the alternate source of DC power supply to the inverter when AC supply voltage is outside the acceptable range. The battery supplies power to the inverter until the utility power is restored or an alternate power source is available. If AC source power is not restored or an alternate power source is not available, the battery can be sized to provide power long enough for an orderly shutdown of the load.

The major advantages of this UPS system are as follows:

- (1) The priority load is completely isolated from the incoming AC power.
- (2) The priority load is always being supplied by the inverter, which is always being fed via the internal DC bus. Thus, in case of input power failure, there is no transitional sag in the output voltage as the inverter is already operating on DC input.
- (3) Even if the AC input voltage and frequency fluctuate, the double-conversion UPS does not notice it, since the rectifier is only making DC power to feed the DC bus. The UPS can operate and even continue to recharge its batteries with input voltage at 15% below nominal. It can continue to operate, without discharging the batteries, through voltage sags of 20% below nominal. Likewise if input frequency is fluctuating in and out of specification, the rectifier will continue to produce DC power and the output inverter will continue to produce 50 Hz power without using the battery.
- (4) The output inverter usually contains an isolation transformer producing a separately derived neutral. This enables the UPS to be electrically isolated, providing common-mode noise protection for the load.
- (5) The double-conversion UPS is inherently dual-input, i.e. having separate inputs for the rectifier and bypass circuits.
- (6) A fault on the input line causes the UPS to go to battery power, but the UPS rectifier will not allow power from the DC bus to flow upstream.
- (7) This is a very well understood design with a long track record of proven performance. Though battery energy storage is the most common form of storage used in a UPS, other forms of energy storage are being used and/or developed for commercial use. These emerging systems include flywheels, super capacitors and superconducting electromagnetic storage, etc.

8.5 Impact of DG integration

Premium power market reliability and power quality can definitely be improved by the use of DG and its integration. Reliability and power quality improvements are major impacts of DG integration in the form of Microgrid

through active distribution network. The following requirements are the main elements of power quality and reliability improvement:

- (1) *Fast response* – The load needs fast response of energy storage system to safeguard from momentary voltage fluctuations.
- (2) *Clean power* – Storage power should be converted to clean power.
- (3) *Synchronisation* – Smooth control should be there in paralleling and synchronisation.
- (4) *Soft transfer* – Alternate power source should be capable of seamless power transfer.
- (5) *Isolation* – Integrated DG, i.e. Microgrid should be efficient enough in quick isolation from utility in case of any contingencies.
- (6) *Adequate storage* – The quantity of storage energy should be sufficient to ride through any outage until primary or secondary power restoration.
- (7) *Supply to priority loads* – Microgrid should be capable of supplying clean power to the priority loads of the system.
- (8) *Dispatch ability* – Microgrid should be capable of supplying power to varying local loads.
- (9) *Efficiency* – Microgrid should operate at high efficiency.
- (10) *Emission* – Microgrid should drastically reduce DG emissions to minimise the environment impacts.

Some examples of DG integration schemes are as follows:

- (1) Simple standby generation scheme
- (2) Secondary DG system with power quality support
- (3) Primary DG system with power quality support to priority loads
- (4) Soft grid-connected DG with power quality support to priority loads
- (5) DG with intermittent solar PV within power quality environment
- (6) DG with intermittent wind generator within power quality environment
- (7) Ultra-high reliability scheme using dual link DC bus

8.5.1 Simple standby generation scheme

A standby generator safeguards the loads from long-term outages as shown in Figure 8.3. It is connected to loads through automatic transfer switch (ATS). The logic controller automatically senses any utility grid outage and changes over the load through ATS and starts the generator.

A typical diesel generator takes 10 seconds for supplying power to loads. The loads are prioritised to maintain supply continuity to the priority loads without generator overloading. It can safeguard loads only from any long-term outage without protecting loads from any short-term voltage disturbances. Therefore, this scheme is not that effective for the customers sensitive to short-term power quality. The use of uncontrolled diesel power generator is restricted for its pollution emissions and switching control limitations. However, environment-friendly alternative fuel generators with sophisticated switchgear may be widely used in this scheme.

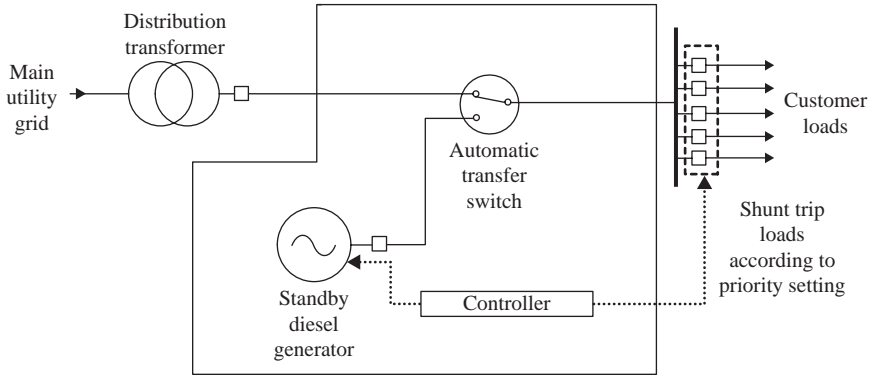


Figure 8.3 *Simple standby generator scheme*

8.5.2 *Secondary DG system with power quality support*

A typical secondary DG system with power quality support, as shown in Figure 8.4, uses energy storage for protection against long-term outages. It also provides load protection against short-term and momentary voltage fluctuations by sophisticated control system. The on-site energy storage is used to ride through any utility grid failure till the generator starts to cater loads. Sophisticated static switching and controls prevent the loads to detect any of the changeovers amongst utility source, standby and secondary DG source.

This scheme configuration is normally used for power quality sensitive loads using UPS with battery support and standby generators. System redundancy is needed for highly sensitive applications. This scheme using upgraded environment-friendly generators with good reliability and power quality can

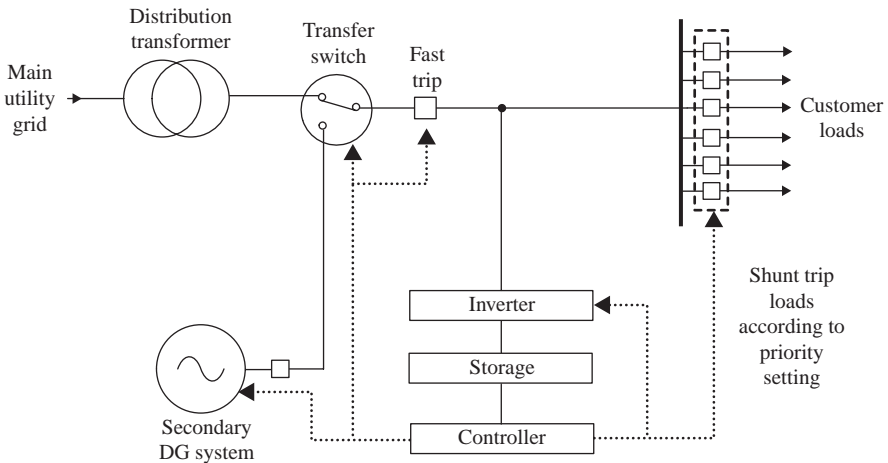


Figure 8.4 *Secondary DG system with power quality support*

also be used to run for economic reasons rather than emergency ones. Environment-friendly emission control, dual-fuel conversion with gas-fired technology can be used for application of the system for peak load shaving with proper co-ordination between utility grid and Microgrid.

8.5.3 *Primary DG system with power quality support to priority loads*

This scheme, as shown in Figure 8.5, is an alternative configuration for CHP systems.

The CHP system operates in parallel with the utility grid for providing low-cost electric and thermal energy. The generator type, switchgear, controls, etc. need to be specially designed for successful stand-alone operation of CHP system during grid outage for protecting priority loads.

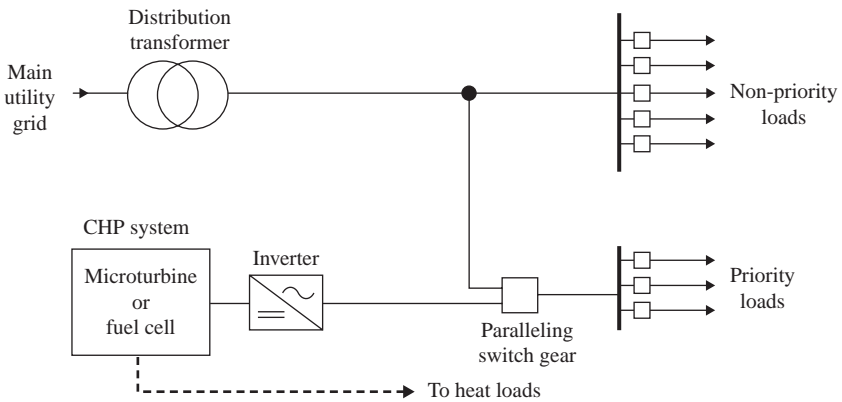


Figure 8.5 Secondary DG system with power quality support to priority loads

8.5.4 *Soft grid-connected DG with power quality support to priority loads*

This scheme, as shown in Figure 8.6, is similar to the previous one. It is capable of grid-independent operation with anti-islanding protection. This system can also provide the reliability of standby generator. Besides, it can operate as a full premium power system with addition of UPS and energy storage media.

8.5.5 *DG with intermittent solar PV within power quality environment*

Figure 8.7 shows the configuration of connecting renewable DG with intermittent supply from PV array.

This configuration supplements energy consumption with adequate support for on-site power quality requirements.

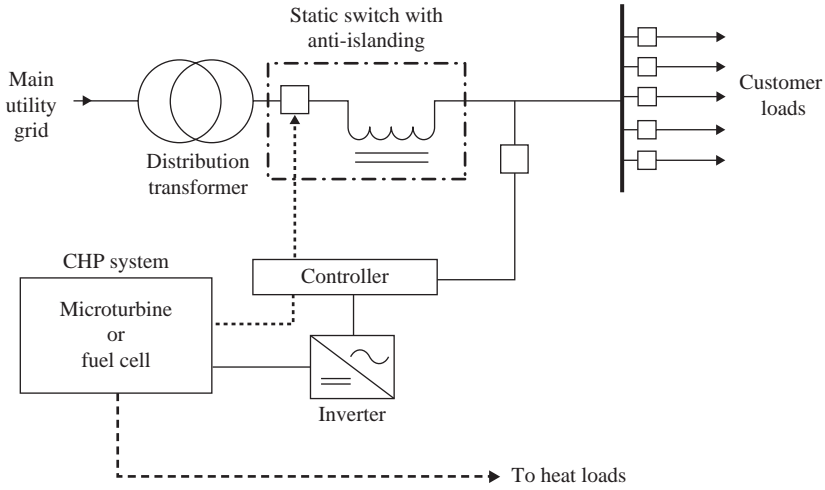


Figure 8.6 *Soft grid-connected DG with power quality support to priority loads*

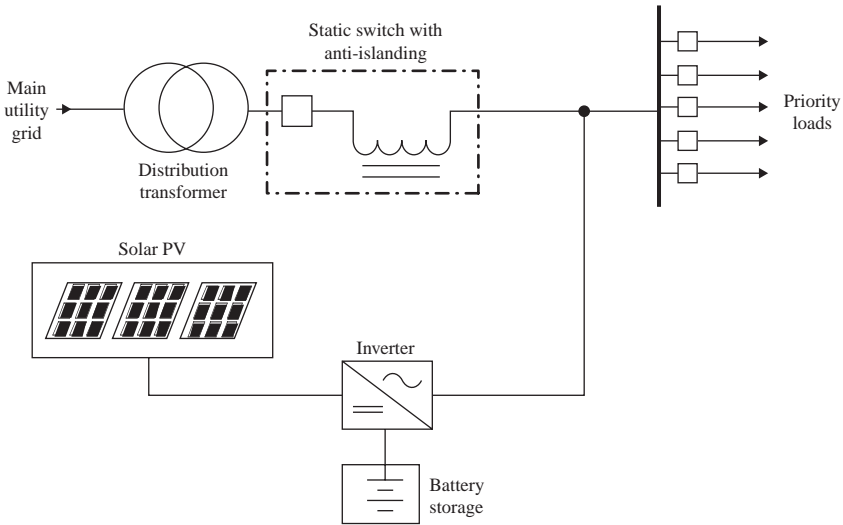


Figure 8.7 *Solar PV as intermittent DG within power quality environment*

8.5.6 *DG with intermittent wind generator within power quality environment*

Figure 8.8 shows the configuration of connecting renewable DG with intermittent supply from wind turbine generator.

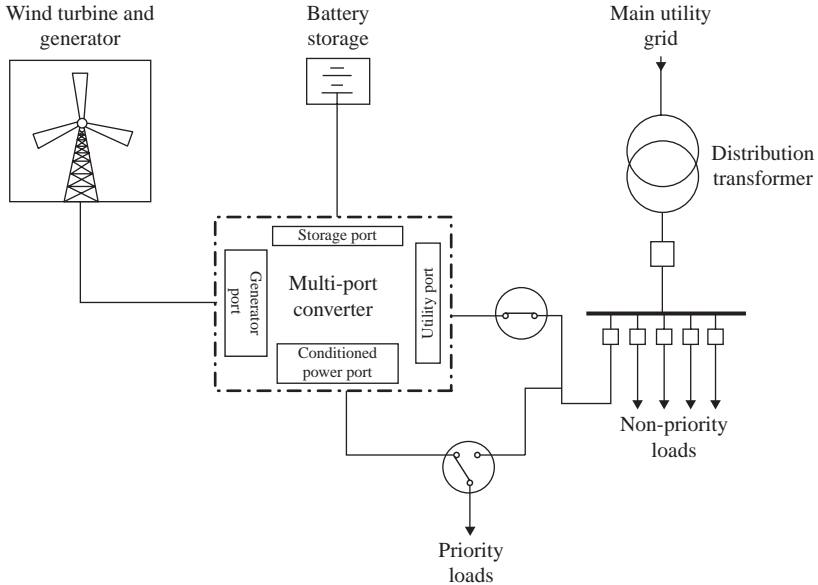


Figure 8.8 Wind turbine as intermittent DG within power quality environment

This configuration supplements energy consumption with adequate support for on-site power quality requirements.

8.5.7 Ultra-high reliability scheme using dual link DC bus

Figure 8.9 shows a typical ultra-high reliability scheme using dual link DC bus. This system is used by customers who require extremely high reliability and it operates independent of utility grid. It integrates on-site power generation, UPS, flywheels connecting through dual bus with more than sufficient redundancies for maintaining continuity of high-quality power supply.

In this scheme, DG is used as the main power supply and utility grid as a backup supply without any grid connection during normal operation. Flywheels protect against any DG outage as well as any step load change. Waste heat from continuously running DG system is utilised for HVAC applications.

This scheme has the following advantages:

- (1) Source voltage failures do not draw power from other sources.
- (2) Priority load faults are isolated to UPS motor generator since the fault clearing is superior to UPS.
- (3) No system failure takes place due to control system failure.
- (4) Multiple generators operate independent of each other.
- (5) There is no reverse power flow.
- (6) Synchronisation or cascade failures are remote.

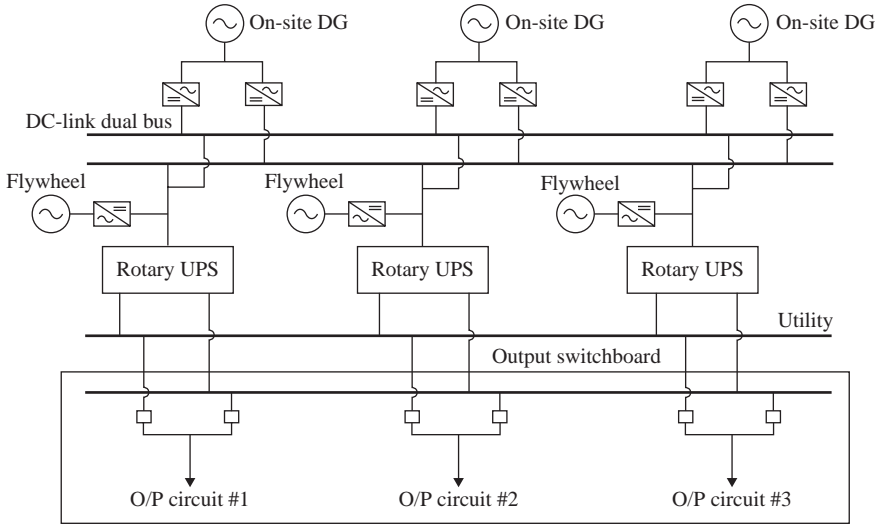


Figure 8.9 Ultra-high reliability scheme using dual link DC bus

8.6 Issues of premium power in DG integration

The integration of DG with UPS and other premium power devices needs to address the following issues for proper functioning:

- (1) On-site storage capacity should be sufficient to sustain till the generator starts up to supply. A diesel generator may be started within 10 seconds whereas CHP microturbine may take up to 90 seconds. Therefore, flywheels with sustaining period of less than 30 seconds may be used as backup of diesel generators not of microturbines.
- (2) The DG system support for priority loads with motor starting or other step loads should be sufficient to avoid any loss of voltage control. DG systems with fuel cells, microturbines may not be capable of handling step load changes unlike diesel generators.
- (3) DG systems operating in parallel with utility need to have necessary interconnection protections for positive disconnect/reconnect, voltage/current regulation, etc. in fault clearing and reclosing technology.
- (4) DG systems with UPS and/or standby generators should take care of synchronisation problems for constant temperature HVAC controls wherefrom many detrimental load pulses may be generated.
- (5) DG systems with UPS using static filters should take care of excess capacitance on light load condition, which may result in loss of voltage control by power factor mismatch. It should be capable of handling quality power loads.

- (6) DG systems should provide sufficient redundancies for supplying extremely high reliability power to sensitive loads using dual bus, ATs etc.
- (7) DG systems need to be separated from each other by fire rated walls to protect system loads during any fire hazards.
- (8) DG systems in standby mode need to have dual starter, special fuel filters etc.
- (9) DG systems used as prime power supplier need to fulfil all the aspects of power quality and reliability.

8.7 Conclusion

Customers are more eager to invest for power quality and reliability to safeguard sensitive loads from subtle and frequently occurring supply disturbances than from any blackout that might take place rarely. Several power premium devices like power factor correction controllers, harmonic filters and isolation transformers are used in addition to centralised as well as isolated UPS systems. Standby diesel generators, CHP-based microturbines are used in different schemes as explained earlier. Microturbines with heat loads may be used either as primary generation in parallel with utility grid for economy in generation or as stand-alone backup generation with anti-islanding protection for emergency protection. Normally, utility services ignore repeated customer requests for betterment of power reliability and power quality leading to customers to install power monitoring devices to capture on-line data for identifying and diagnosing power quality problems for getting the power quality problems addressed by utility services. It has been identified that DG integration can be fruitfully used to support customers' power quality and reliability requirements. Peak shaving CHP applications in DG integration may play a major role in reducing capital costs by alleviating any investment in standby diesel generators.

CHP applications in DG integration may be very useful to address power quality problems of less sensitive loads because of customer's reluctance to invest in UPS. Critically power quality sensitive customers are not interested to get this benefit of DG integration because of their existing dedicated UPS systems.

In order to make DG integration a potentially widespread solution for power quality and reliability problems, the following issues need to be addressed:

- (1) Both standby generators and DG systems themselves may cause power quality problems due to system incompatibility of different electronic devices. Hence for any future installation and commissioning of DG system, it needs to be correctly designed to address incompatibility issues.
- (2) Interconnection rules, which prevent DG systems to provide backup power during utility grid outages, need to be re-examined from both technical and economic perspective.
- (3) Customers having own DG systems need to be encouraged in supplying emergency demand of the integrated system.

- (4) Customers having own DG systems should be allowed in open retail market participation.
- (5) Alternative technical approaches like dual-fuel engine permitting clean operation for economic dispatch with full emergency participation, integrated power electronics packages for DG, UPS etc. need to be incorporated to enhance opportunities in market growth.
- (6) DG integration needs to implement cost-effective protection packages with all the necessary functions for system protection.
- (7) Integrated DG operation in a power premium environment needs to develop best practice guides for effective future implementations.

Chapter 9 deals with the economic impacts of Microgrid. Economic impact should be assessed before advertising the technical benefits as economic viability of DG and Microgrid schemes will ultimately play the most important role in their market profitability.

Chapter 9

Microgrid economics

9.1 Introduction

Microgrid's market acceptability and its viability are significantly related with several economic issues. The current policy on standby charges, net metering, Microgrid's public utility status as well as the regulatory issues on the capability of small generators to serve neighbouring customers are more akin to distributed energy resources (DERs) but not sufficient to make Microgrid a commonplace. Therefore, Microgrid-related economic issues need to be assessed and addressed in their paradigm to get Microgrid the status of a viable public utility. Regulatory issues in relation to economic issues need to be devised carefully to establish efficient participation of Microgrids in the open market of electricity as well as several ancillary services. Many regulatory barriers need to be revised to establish the viability of Microgrids.

The sustainability of centralised power generation is under question with respect to distributed small-scale generation in the close proximity of loads to be catered. Construction and expansion of new centralised power stations and associated transmission facilities in future are not economically viable because of environmental concerns, dwindling availability of sites as well as fossil fuels. Besides, restructured electricity markets can deliver volatile commodity electricity prices in addition to erratic investment programme, resulting in unpredictable supply reliability. Nevertheless, Microgrids do not compete with the existing centralised power system but compete with the erratic system growth in an aggressive environment. The potential option of combined heat and power (CHP) in a Microgrid system can improve overall energy efficiency in addition to supplying highly reliable power demand to the end-users with vital sensitive equipment. Microgrid economics determine the configuration and operation of Microgrid.

9.2 Main issues of Microgrid economics

The main issues of Microgrid economics can be categorised as follows:

- (1) *Optimal technology investment* – The basic economics of optimal investment and available technologies need to be applied in the operation of

Microgrids. The accumulated knowledge of power system operation in grid scale needs to be optimally applied in the distribution level grid, i.e. the Microgrid. The established and reliable tools should be suitably applied in Microgrid operation.

- (2) *Utilisation of unique aspects* – Some of the unique aspects of Microgrid economics need to be utilised properly. Unlike conventional distribution systems, Microgrids can provide heterogeneous levels of reliability to the end-users as per necessity of the customers. The operational constraints of centralised power system economics might not be similar to that of Microgrid economics. For example, the constraints on generation of noise level are relatively insignificant to centralised power providers unlike Microgrids.
- (3) *Distribution system relationship* – The relationship of Microgrid with the distribution system is an important aspect of Microgrid economics. Microgrid needs to have real-time price signal in successful interface between customers and utilities. It helps to achieve optimal use of resources by both Microgrid and utility grid. It should be noted that the ability of Microgrid to participate in utility grid-scale ancillary service markets is limited in supporting voltage and losses. Nevertheless, Microgrids can provide excellent local ancillary services in voltage support and others for the end-users. Microgrid economics would be drastically improved by providing its market participation for localised voltage support and other ancillary services.

9.3 Microgrids and traditional power system economics

Microgrids are normally designed and commissioned for operation by a group of customers keeping an eye to minimise environmental impacts. However, the main target is to minimise the total energy bill for heat and electricity of the participant customers. Microgrid can supply energy at lower cost because of its optimal use of waste heat. Besides, Microgrid does not have any cost for transmission and distribution losses, customer services, congestion and other allied costs unlike traditional power systems. Microgrid has several advantages to reduce its energy costs compared to traditional power system. On-site generation is competitive with conventional power generation particularly with reciprocating engines. However, its environmental impact and interconnection costs sometimes restrict its applicability. The emerging DER technologies are quite promising in generating low-cost clean energy. It must be mentioned that latest carbon capture and storage (CCS) technology is on board for application in existing power plants to generate clean electricity with higher energy efficiency in the tune of about 50%.

DER technology can challenge the economics of central power generation in addition to potential ancillary benefits of DER. But the conventional system offers low risk as well as low transaction cost to the end-users. Major

hindrance of Microgrid economics is its hidden overrun and subtle costs in installation and commissioning. High installation costs of Microgrid DERs are subject to government subsidies particularly to install efficient storage systems for its islanding mode of operation. However, the installation cost should be reflected in the economic evaluation of Microgrid. The additional costs need to be considered against the added customer benefits from islanding capability as well as the additional utility grid costs of maintaining high system reliability. Simple engineering–economic principles can be applied to determine suitable DER technologies and their deployment modalities for Microgrids.

Economics of Microgrids have several similarities to those of utility grids in the following aspects namely (i) rules of economic dispatch, (ii) cost minimisation by lowest-possible-cost combination of resources as per equipment characteristics, (iii) purchase and sale of electricity occurring at different times, (iv) optimal combination of technologically diverse resources to suit various duty cycles of the system, (v) suitability of high capital but low variable cost generator technologies for catering base loads and (vi) suitability of low capital cost but high variable cost generator technologies for catering peak loads.

Economics of Microgrids have some major dissimilarities to those of utility grids in the following aspects:

- (1) Joint optimisation of heat and electric power supply
- (2) Joint optimisation of demand and supply.

9.3.1 Joint optimisation of heat and electric power supply

CHP systems are an underdeveloped area of Microgrid economics. In some countries, CHP systems are partially used for generating electricity. Nevertheless, its main objective is to utilise the waste heat energy for heating appliances, in addition to the production of electricity by joint optimisation of heat and electricity. In the economics of central generating systems, the use of heat was never the central objective. The reason for rethinking on the use of CHP systems is drastic reduction in carbon emissions and increase in overall power generation efficiency. The overall generation efficiency can be increased from conventional 33% or combined cycle gas turbine (CCGT) 50% to more than 80% by using CHP systems. CHP is the heart of Microgrid economics. Maximum energy efficiency can be achieved by minimising heat transmission losses between generators and loads. Hence, CHP-based generators are located near the premises of the heat loads. The major applications of CHP in Microgrids are namely (i) space heating, domestic water heating and sterilisation; (ii) heating for industrial/manufacturing processes; and (iii) space cooling, refrigeration through absorption chilling. The technical feasibility of exploiting CHP opportunities is quite self-motivating for customers to generate CHP-based electricity. It is quite cheaper for end-users compared to the purchase of electricity, heating and cooling services separately from different sources. Besides, CHP is the main motivation for multiple customers to join together to install and commission CHP-based Microgrids. However, comprehensive

economic studies need to be performed on the CHP opportunities to examine aggregating benefits of heat and electric loads in order to facilitate multiple customers to form Microgrids.

9.3.2 Joint optimisation of demand and supply

Joint optimisation of demand and supply is the second priority for Microgrid economics. Traditional power economics need to be extended for Microgrids. In utility grid-scale economics, load control is addressed in the analysis and planning stages in the form of demand side management (DSM), load shedding, interruptible tariffs/contracts, etc. In case of Microgrid, the most important criterion of this optimisation is the marginal cost of self-generation at any point of time. Investment cost recovery, cross subsidies, inaccurate metering and tariffs are not considered in the generation economy. In utility grid-scale economics also tariffs and environmental aspects are not well represented. The demand and supply optimisation in Microgrid is easier since here the generator and consumer is one and the same decision-maker. The Microgrid should know both its marginal cost of power generation at any point of time and the equivalent costs of investments in energy efficiency. It can easily decide the cost of curtailment for trading. It leads to implementation of a new paradigm in load control.

9.4 Emerging economic issues in Microgrids

There are some Microgrid economic issues covering unique Microgrid features unlike traditional utility grid-scale economics. Microgrids can provide heterogeneous levels of reliability to various end-users within the Microgrid. Microgrids unlike central power generation need to operate at constraints like reducing noises by generators. The design and operation of traditional power systems are normally to deliver power to all customers at uniform power quality and reliability irrespective of different needs of the end-users. But Microgrids control the supply power quality and reliability at the points closer to the end-users resulting in serving the customers to their satisfaction maintaining power supply at heterogeneous levels of reliability as per the customers' needs. Thus, low-end customers with power demand of lower quality and reliability can save their energy bills by procuring energy at cheaper rates. Similarly, high-end customers with power demand of higher quality and reliability can safeguard their sophisticated appliances by paying higher rates for energy supply without any extra investment on premium power supply equipments. Besides, the Microgrids can supply high-end customers in case of any shortfall of generated energy by shedding loads of low-end customers. Widespread application of Microgrids, with locally controlled generation, backup and storage with DSM, can effectively serve sensitive loads, thus resulting in the reduction of economic burdens of utility grids in maintaining uniform optimal level of power quality by constrained reliability requirements of sensitive loads.

9.5 Economic issues between Microgrids and bulk power systems

There are some economic issues of Microgrid in its relationship with the utility grid. Basic Microgrid paradigm is its co-existence with the existing utility grid as a citizen. Microgrid needs to adhere to the utility grid rules applicable to all connected devices. In the utility grid perspectives, Microgrid behaves as a cluster of customers or generators or both resulting in extended traditional economic rules. In order to accommodate growing loads, it is necessary to augment distribution systems that are not straightforward in case of Microgrids, because generators are normally embedded within the existing radial distribution system. Hence, the price signal delivery to the new customers is a bit complicated. Price signals can be delivered to the new customers during congestion in a form suitable to encourage Microgrid development and investment in augmented generation as well as load control for mitigating congestion. However, its implementation is difficult because of the dependencies on neighbouring network configurations. In a densely populated area, any end-user might have several options to be fed from existing neighbouring distribution networks to choose as per available economic signals. Thus, the congestion costs seen by any Microgrid is dependent on the available neighbouring distribution systems configurations that can change abruptly, disrupting the Microgrid economics dependency in the locality.

Microgrids need to have full participation in both energy and ancillary services market, but its low voltage level inhibits its ability to deliver power and services beyond sub-station. However, the advantage of on-site generation of Microgrids can readily be utilised with suitable control and protection schemes to provide reliable supply to the sensitive loads. This is a valuable contribution in the overall power system health and economics, because the market responses to rapidly variable load changes are practically infeasible.

9.6 Microgrid economics: the UK scenario

In Microgrid economics, the reduction of greenhouse gas (GHG) emissions is one of the most important contributions. Micro-CHP-based generation is mainly focused after the formation of distributed generation co-ordination group (DGCG) in the UK in early 2000. The potential for widespread adoption of Microgrid technologies is identified. The barriers that have to be overcome to make Microgrid a significant contributor to UK energy system are also identified. Some major economic issues need to be addressed for large-scale deployment of Microgrids in the UK. These are discussed briefly in the following sections.

9.6.1 Microgeneration

The prospects of small-scale gas-fired Stirling engines are enormous to provide domestic heat supply in addition to electricity supply by domestic-scale micro-CHP installations. The household heat requirements indicate that the by-product electricity would be surplus to be fed into national electricity grid.

The DGCG has identified that huge number of household hot water boilers can be replaced by micro-CHP installations in the near future, indicating a potential market for micro-CHPs in the UK. The prospects of photovoltaic (PV) arrays are not that encouraging with high installation cost and low rate of increase of installation. However, the installation cost will be drastically reduced with more and more installations having favourable tax treatment and regulatory regime, leading to tremendous improvement of Microgrid economics with PV arrays.

9.6.1.1 Connection charges

There are three types of connection charges for connecting distributed generations (DGs) to distribution systems. These are as follows:

- (1) *Deep connection charge* – It includes all the associated costs of connection, including any costs incurred at remote locations or at higher voltage levels. This is of high cost.
- (2) *Shallow connection charge* – It includes the cost of connecting to the nearest appropriate point in the distribution network without any remote costs or cost incurred at higher voltages. This is of low cost.
- (3) *Shallowish connection charge* – It includes some elements as yet undecided of the cost of reinforcement incurred in addition to the shallow connection charge. This cost is in between the costs of deep and shallow connection.

The DGCG has identified the following options for the charges of connection to and use of distribution systems:

- (1) *Case I* – Small generators are to pay deep connection charges whereas customers are to pay shallowish connection charges and other reinforcement costs.
- (2) *Case II* – Customers are to pay shallow connection charges and other reinforcement costs.
- (3) *Case III* – Both generators and customers are to share all the shallow connection charges and other reinforcement costs.
- (4) *Case IV* – Both generators and customers are to share all the shallowish connection charges and other reinforcement costs.
- (5) *Case V* – Small generators are to pay shallowish connection charges and larger generators are to pay site-specific charges.

In order to execute any of the aforesaid cases except Case I, the regulatory pricing structure for connecting embedded generators need to be fundamentally changed from the price control point of view of Office of the Gas and Electricity Markets (Ofgem), the regulatory body of the UK gas and electricity markets. Small-embedded generators have the economic disadvantages of paying deep connection charges unlike larger generators who need to pay only shallow connection charges. Ofgem is in the process of relieving small-embedded generators from extra deep connection charges, which is a positive step to improve Microgrid economics.

DGCG studies reveal that domestic and other microgenerators are more inclined to prefer transparent and simplified charging mechanism and technical connection requirements for easy and quick connection to the distribution networks. It will definitely encourage customers to become customer-generators in the Microgrid paradigm.

9.6.1.2 Some important economic issues

The key issues that need to be addressed are as follows:

- (1) *Meter arrangements* – Meter arrangements for measuring generation output, export/import units and maximum demand.
- (2) *Technical requirements* – Technical requirements for connecting to distribution networks for successful parallel operation.
- (3) *Connection charges* – Connection charges that need to have some parity for both smaller and larger generators.
- (4) *Tariff mechanisms* – Tariff mechanisms incorporating metering, profile and fixed charges for use of transmission and distribution systems for export and import of energy.

Appropriate charging structure for distribution should be devised for making Microgrid and active distribution networks a commonplace. Major revenue of distribution network operators (DNOs) comes from distribution use of system (DUoS) charges on each unit of distributed energy from DGs. Microgenerators are to pay for DUoS charges, whereas large generators are relieved of this charge. This is one of the major difficulties of Microgrid economics. One optimum solution, as per Ofgem's guidelines, is to raise revenue for DNOs by using annual capacity charge (ACC) for providing necessary signals for demand and generation within a distribution network in addition to DUoS charges. Charges should be similar without any disparity for both large and small generators.

Optimum metering options need to be devised as combination of the three existing ones: (i) single direction metering, (ii) bidirection metering and (iii) import and export metering with existing load profiles. It has been observed that the realistic economic options are allowing small generators to maintain existing single directions meters with generation profile or to insist on installing import and export multi-register meters. DGCG is to look into the prospects of business environment and market scopes for resolving Microgrid economic issues maintaining existing regulatory mechanism in the best possible way. It should aim at encouraging all the DGs irrespective of generation capacities.

9.6.1.3 Revenue of distribution network operators

It is beneficial for raising revenue of DNOs by long-term combined approach considering both capital and operational expenditures. DNOs have the prospects of providing following extra services for better revenue collection:

- (1) Security services
 - (i) Provision of network capacity
 - (ii) Provision of customer service improvements

- (iii) Provision of power quality improvement
- (iv) Provision of voltage support
- (2) Ancillary services
 - (i) Provision for reactive power support not necessarily for voltage
 - (ii) Provision of frequency response
 - (iii) Provision of reserve
 - (iv) Provision of black start.

9.6.1.4 Market potential issues for micro-CHPs

The following critical issues are identified that need to be properly addressed for making the application of micro-CHP on a large scale in the UK:

- (1) Grid connection modalities for participation in a mass market
- (2) Product testing and field trials
- (3) Proper delivery chain with skilled workforce for installation and service
- (4) Value maximisation of micro-CHP generation by simplified metering and proper trading procedures
- (5) Review of 28-day utility rule to enable energy providers to undergo long-term contracts with the retailers.

9.6.2 Regulatory issues and regulation activities

It is observed by DGCG that the UK electricity market is not friendly to the large-scale adoption of microgeneration. In addition to high installation costs, Microgrids have to face several barriers in open market participation. Some of the key issues that need to be addressed are as follows:

- (1) *Deep connection charges* – Microgenerators need to pay deep connection charges unlike large-scale generators.
- (2) *High market participation cost* – Microgenerators are to pay high charges for market participation in order to supply power to the existing utility grids. In order to encourage household micro-CHP installations, standardised generation connection with proper supply agreement should be undergone.
- (3) *Metering facility* – The distribution network has unidirectional metering facility without any provision for bidirectional metering for demand and supply.
- (4) *DNO incentives* – DNOs do not get any incentive for connecting small generators.

Ofgem is in the process of considering changes to the regulatory regime for addressing charging issues and price control mechanisms to encourage microgeneration.

9.6.3 Microgeneration technologies: economic perspectives in the UK

It has been observed from the UK economics of microgeneration that PV arrays have a payback period of about 35 years compared to about 14 years for

Stirling engine-based micro-CHP and about 6 years for household gas boilers. Thus, the replacement of central heating boiler by Stirling engine-based micro-CHP is significantly beneficial from the economic perspective.

Microgeneration suffers from tax rule discrepancies without any capital allowance unlike corporate sector. These discrepancies need to be tackled properly for wide application of micro-CHPs. The subsidy scheme of Department of Trade and Industry (DTI) should be suitably used in microgeneration. Renewable Obligation Certificate (ROC) revenue can contribute to Microgrid economics. Microgeneration can redefine supplier–consumer relationship. Distributed control systems can be utilised for automatic switching control of home appliances as per price signals and consumer preferences. This may inculcate the sense of shared responsibility leading to a sustainable energy system.

9.6.4 Potential benefits of Microgrid economics

Microgrids have the following significant economic benefits:

- (1) Potential reduction in transmission and distribution costs and energy losses.
- (2) Significantly high total energy efficiency.
- (3) Significant reduction in capital exposure and risk by small-scale individual investments and closely matching capacity increases to demand growth.
- (4) Lower capital cost helps to have low-cost entry in open competitive market.
- (5) Microgrid microgenerators with very high energy efficiencies can share energy by the consumer generators within the Microgrid itself without any necessity to export energy to the public network at lower prices. It enhances Microgrid economics.
- (6) Additional security and ancillary services from DG are special advantages of Microgrid.

The essence of economic scenario is financing for longer terms rather than short terms. In most of the renewable energy resources, the initial capital cost is predominant with a minimum running cost. Thus, the cost of consumer is dependent on financing terms and repayment schedules. In case of PVs, longer-term financing is in progress leading to an economic benefit to the consumers.

The UK-centric Microgrid economic scenarios might be categorised as follows depending upon degrees of integration of DGs and combination of different DER technologies:

- (1) *Scenario A* – Distributed CHP units are installed separately without Microgrid integration. No PVs and no storage devices are incorporated in this to gauge the value addition by Microgrid integration. Economic assessment is done on the basis of micro-CHP household energy production with a low ratio of electricity to heat output without any integration to

Microgrid. In the export tariff arrangement with electricity supply company, net metering may or may not be installed.

- (2) *Scenario B* – Microgrids integrate distributed CHPs and battery storage devices for supplying both electricity and heat in winter. The running of micro-CHPs is dictated by household heat requirement and hence during summer the electricity shortfall is consumed from the local utility supply.
- (3) *Scenario C* – The Microgrid consisting of micro-CHP, PV and storage is capable of stand-alone operation. The PV installation subsidy varies from 50% to the full cost.

The reduction in household electricity cost by installation of micro-CHPs becomes less effective when local utility electricity price is reduced. Once Scenario A is established in the electricity trading arrangements, householders do not get any extra economic benefit for Microgrid Scenario B. The economic balance is reached when distributed individual CHP penetration gets limited by distribution system. At this point, Microgrid economics is in favour of Microgrid integration. Scenario C is more environmental oriented unless the 50% subsidy of DTI for PV installation is available or installation cost is reduced by 30%. This UK-centric Microgrid economics is applicable to developing countries with poor electricity supply system.

9.6.5 *Future developments of Microgrid economics*

The economic analysis of DGCG indicates that the electricity demand in a Microgrid can be supplied by micro-CHP with sufficient PV array and battery backup, leading to energy service independent of utility grid. The replacement of household central gas heating systems by micro-CHPs is economically favourable. Hence, the development of infrastructure for a mass market of micro-CHPs would be economically beneficial, leading to enhanced public profile of these technologies. It calls for the development of energy service companies with expertise in energy saving measures and supply demand contracting with renewables. It would be favourable for the establishment of new open market structure for Microgrids with regulation support. New technologies always face economic and regulatory barriers before taking off. Microgrid needs supportive public environment as well as policy and commercial supports for its growth, which is highly suitable to energy policy as per global climate requirement.

Besides, its rapidly expanding market needs to speed up necessary regulatory changes. The new technology should incorporate IT enabled services in a commercial scale for better real-time control of Microgrids. Microgrid's active demand management as per electricity price signals can reduce the peak demands on the network, leading to large-scale energy savings inculcating a culture favourable to household energy efficiency. A Microgrid with the combination of PV, micro-CHP and small storage battery is quite independent of utility grid and hence can be installed at remote communities without any need for transmission cables. There will be no distribution cost outside

Microgrid. Microgrid is also socially beneficial to remove unsightly power cables, enabling better natural aesthetics. This technology can reduce the maximum demand of current central generation system leading to large savings in operation and long-term investments. Microgrids can further incorporate other energy saving measures reducing domestic and office energy demand and GHG emissions from buildings as per Kyoto Protocols. The full potential of Microgrids can only be exploited if necessary changes are effected in the electricity market and regulatory structure. For further details, please refer to Appendix F.

9.7 Conclusion

In the perspectives of electricity industries and government regulatory bodies, it has been examined that Microgrids can integrate small-scale generators in the proximity of consumer premises with several advantages. Microgrid can coexist with utility grid as a citizen having necessary power import and export with the local distribution networks. Microgrids can exert integral control with local distribution networks for power balance, frequency and voltage control, supply reliability and power quality. The technical and regulatory issues associated with the utility integration of Microgrids need to be addressed as per the laws of the lands for different countries. The diversity of generation should be appropriately employed for satisfying energy demand permitting stand-alone operation of Microgrids whenever necessary. The current judicial mix of Microgrid DERs is micro-CHP, PV and battery storage. A part of the household micro-CHPs can be replaced by fuel cells when these are commercially available as domestic CHP generators. Economic analyses of Microgrids against the background of current regulatory and economic framework for DG indicate that Microgrids can potentially contribute to an appreciable part of energy demand with several economic benefits. The short-term benefits of Microgrids are very much applicable for long-term perspectives with more possibilities. Microgrids can directly facilitate the implementation of other energy saving measures reducing domestic and office energy demands and GHG emissions as per Kyoto Protocols. It can principally be concluded that Microgrids do have the potential for making major contribution to GHG emission reduction from buildings subject to the necessary major changes in the electricity market and regulatory structure. Its main starting point would be the initiation of all the aforesaid changes for greater benefits to the society.

Chapter 10

Market participation of Microgrids

10.1 Introduction

The electricity market reforms have brought about major changes in the market monopoly of the vertically integrated power systems. Three major components of vertically integrated monopoly are generation, transmission and distribution. Although in the restructured environment, the main functions of these three components remain the same as before, new types of unbundling and co-ordination are gradually being established to ensure competition and non-discriminatory open access to all the participants, including sellers and consumers.

In earlier days, vertically integrated power utilities would control as a monopoly the selling and distribution of electricity and ancillary services to customers within their own territories. In this monopoly, each utility would control generation, transmission and distribution without any competition leading to poor service reliability and efficiency with respect to the revenue charged from the customers. Restructuring ensures a competition in providing better service by allowing customers to purchase electricity and ancillary services from suppliers of their choice, thereby assuring cost-effective purchase of quality service. It also encourages participation of small businesses to sign contract for buying power from cheaper sources. Because the utilities are obligated to deliver or wheel power over existing lines at a fee same as the non-discriminatory cost of delivering the utility's own power without power production cost. Thus, restructuring replaces the vertically integrated system by a more market-oriented system where price of electrical power is set through open competition rather than by regulations imposed by a single party.

Restructuring significantly reduces the cost of power for small businesses and consumers through open market competition. It would allow customers to choose power providers and thus enhancing the level of service reliability. The open market competition also improves economic efficiency by expansion of operational regions through interconnection of generation and transmission systems.

Restructuring accommodates open access to transmission services ensuring consumers' choice and supply competition creating new business opportunities with the application of new technologies namely metering and telecommunication.

Microgrids, which are viewed as aggregated controllable load units with their own on-site power generation, can therefore easily participate to sell power and ancillary services in the newly restructured open market. It ensures system reliability, power quality and efficiency at comparatively lower costs.

The Federal Energy Regulatory Commission (FERC) has issued the Order 888, a final rule in 1996 in the USA to enforce open access non-discriminatory tariffs in order to facilitate unbundling of wholesale generation and transmission services. Moreover, FERC has also issued the Order 889 for the development of the electronic communication system termed as Open Access Same-Time Information System (OASIS) that has facilitated the development of three main restructuring models namely PoolCo Model, Bilateral Contracts Model and Hybrid Model. Microgrid market participation is discussed in the following sections.

10.2 Restructuring models

In order to alleviate the monopoly of vertically integrated utilities, three major models have been developed for electricity market restructuring, viz. PoolCo Model, Bilateral Contracts Model and Hybrid Model. These models encompass different types of competition in the open market for ensuring better service to the customers.

10.2.1 PoolCo Model

PoolCo Model is defined as a centralised marketplace that clears the market for buyers and sellers. Here the electric power participants submit bids and prices into the pool for the amounts of energy to sell or buy respectively. The market clearing ensures participation of all the suppliers and customers in the market pool. The Independent System Operator (ISO) normally forecasts the demand for the following day and receives bids to satisfy the demand at the lowest cost and prices for the electricity on the basis of the most expensive generator in operation. The main characteristic of this model is to establish independent wholesale power pool served by interconnected transmission systems. This is a centralised clearing market of electricity trading, aimed at introducing competition that forces the distribution utilities to buy power from the PoolCo and generation utilities to sell power to the PoolCo at a market clearing price (MCP) defined by the PoolCo irrespective of the generation cost. The most widely used MCP is 'the price of the highest selected bid' and the final spot market price may exceed MCP to account for ISO's charges for the associated ancillary services as well as overhead costs. The PoolCo does not own any generation or transmission components and centrally dispatches whole power within its service jurisdiction. It controls the maintenance of transmission grid for ensuring efficient operation by charging non-discriminatory fees to generators and distributors to cover its operating costs. In the PoolCo, both sellers and buyers compete for the rights of injecting and drawing power to and from

the PoolCo. Sellers fail to inject power if their bid is too high and similarly buyers may not be successful in drawing power if their bid is too low. It ensures implementation of economic dispatch producing a single spot price for electricity, thereby giving participants a clearance for consumption and investment decisions. Thus, the market dynamics drive the spot price to competitive level that is equal to the marginal cost of the most efficient firms. In this market the sellers are paid for their electricity and customers are charged for their consumption on spot.

10.2.2 Bilateral Contracts Model

Bilateral Contracts Model is sometimes called direct access model because here the role of ISO is more limited, thereby allowing buyers and sellers to negotiate directly in the electricity market without entering into pooling arrangement. In order to have successful participation in the model, small customers need to have aggregation to ensure benefits from competition. Thus Microgrid, being an aggregated load with local generations, can significantly participate in the market to harvest the benefits from open competition.

This model establishes non-discriminatory access and pricing rules for transmission and distribution systems assuring guaranteed sale of power over the available transmission and distribution systems. Wholesale suppliers pay to the transmission and distribution companies (DISCOs) for using their transmission and distribution networks. Generation companies (GENCOs) function as suppliers whereas transmission companies (TRANSCOs) act as common carrier to contracted parties leading to mutual benefits and customer choices. DISCOs, on the contrary, function as an aggregator for a large number of retail customers to supply long-term capacity. The contracts take place in terms of price, quantity and location whereas GENCOs inform the generation schedule to the ISO to ensure availability of sufficient resources for finalising transactions to maintain system reliability. In order to alleviate transmission congestion and maintain real-time reliability, suppliers have to provide incremental or decremental energy bids for availing cost based non-discriminatory access to transmission and distribution systems. The system users who lose in the bidding process are left with the alternative of availing the supply to their loads from other power providers or having to modify their load profiles.

10.2.3 Hybrid Model

The Hybrid Model combines various features of the earlier two models. Here the sale and purchase of power through power exchange (PX) are not obligatory and the customers are allowed to sign bilateral contracts with the pool suppliers of their choice. The sellers and buyers can both opt for not signing any bilateral contract availing maximum flexibility to sell and buy power either through pool or by direct bilateral transaction between seller and buyer. The GENCOs opting to compete through pool need to submit competitive

bids to the PX. All the bilateral contracts are normally allowed unless the transmission lines are constrained. Loads that are not included in the bilateral contracts are supplied by economic dispatch of GENCOs through bids in the pool. The co-existence of the pool efficiently identifies the energy requirements of the individual customers and thus helps to simplify the energy balance process. The Hybrid Model is significantly flexible in offering either of the marketing options based on prices and services, but it is much costlier because of the co-existence of separate entities of pool and direct dealing in the same system.

10.3 Independent System Operator (ISO)

The functions of ISO in the market participation of Microgrid are discussed in the following sections.

10.3.1 Background

In the cost-of-service regulatory operation, system operators would preserve the system reliability ensuring moment-to-moment matching of generation and load because of the uncertainty in load prediction. Vertically integrated utilities would operate their own system performing economic dispatch of generation managing sales and purchases to and from control areas. In vertically integrated monopoly, utilities established centrally dispatched regional power pools for co-ordinating better planning and operation of generation and transmission amongst their members leading to improved efficiency, maintenance co-ordination and reserve sharing. It results in reduction in costs incurred by the end-users.

There are three types of power pools namely (i) tight power pools, (ii) loose power pools and (iii) affiliate power pools.

- (i) *Tight power pools* – Tight power pools normally function as control areas bounded by interconnection, metering and telemetry. They regulate automatic generation control (AGC) within its boundaries and tie line PXs contributing to interconnection frequency regulation. They also perform unit commitment and power dispatch and transaction scheduling services on second-to-second basis for their members.
- (ii) *Loose power pools* – Loose power pools have a low level of co-ordination in generation and transmission planning and operation unlike tight power pools. These pools provide significant support to the members during emergency conditions. However, they do not provide any control area service.
- (iii) *Affiliate power pools* – In affiliate power pools, the aggregated power generation owned by various members is dispatched as a single utility. The members of these pools sign extensive agreements on governing the cost of generation and transmission services.

The transmission access was limited during congestion with significant growth of power suppliers. The members of the vertically integrated utilities would normally prevent other utilities and suppliers from full access to transmission system. Besides, power pools would control access to regional transmission systems making it much more difficult for non-members to use pool members' transmission facilities. Pools also exercised restrictive membership governance leading to closing pool membership to outsiders. These unfair industry practices prevented the growth of open competitive generation market. This was the scenario in the USA that led to the development of ISOs by the intervention of FERC Order 888 insisting transmission owners to provide comparable service to other customers without having own transmission facilities. The owners were enforced to treat their own wholesales and purchases of energy over their own transmission facilities under same transmission tariffs as applicable to others. This was the starting point to isolate transmission ownership from transmission control leading to the development of ISO as encouraged by FERC for implementing open and non-discriminatory access to the transmission facilities.

An ISO is an entity independent of market participants namely generators, transmission owners, DISCOs and end-users whose function is to ensure fair and non-discriminatory access to transmission, distribution and ancillary services to maintain real-time system operation with reliability. The implementation of good ISO ensures independent transmission system operation without any discrimination in power transaction. Besides, FERC Order 889 assures all market participants to obtain relevant transmission information from OASIS.

10.3.2 The role of ISO

The main objective of the ISO is not generation dispatch but matching energy supply to demand to ensure reliable system operation. It can control generation only to the extent necessary to maintain system reliability and optimal transmission efficiency. It would continually assess condition of transmission system and accordingly approve or deny transmission service requests. It is mainly responsible for maintaining real-time transmission system reliability to ensure system integrity, second-to-second supply–demand balance and maintenance of system frequency within acceptable limits. The ISO may schedule power transfers in a constrained transmission system to the extent necessary for reliable operation of the power market. It may also include and control a PX for smooth dispatch of all the generators and setting the energy price on hourly basis as per the highest price bid in the market. As per FERC Order 888, the following six types of ancillary services must be provided: (i) scheduling, control and dispatch services, (ii) reactive supply and voltage control, (iii) regulation and frequency response services, (iv) energy imbalance service, (v) operating reserve, spinning reserve and supplemental reserve services and (vi) transmission constraint mitigation. The FERC Order 888 also implies that

the transmission customers are to self-provide or buy these services on real-time basis from ISO through OASIS information.

The essential service provided by the ISO is to mitigate transmission constraints by incorporating the cost of mitigation in customer billing and paying back to the participants who provide the mitigation services. For this process, an ISO must transmit proper economic signals to all the participants to encourage efficient use of transmission services for alleviating transmission constraints. Maintaining system reliability in emergency conditions is the complete responsibility of ISO. During emergency the ISO has the authority of unit commitment, generation dispatch and load curtailment for the sake of system security. An ISO may call for bids to an auction from service providers and choose the winner on the basis of least cost taking into account of time and locational constraints and the expected use of resources. The ISO has the liberty to opt for spot marketing also if it is found less expensive than contracted ones.

10.4 Power exchange (PX)

The PX is a common marketplace for trading energy and other ancillary services on the basis of open competition. Sometimes, it is called a spot price pool because it permits different participants to sell and buy energy and other ancillary services in a competitive manner on the basis of quantity bids and prices. The PX is an independent, non-government and non-profit making entity that accepts load and generation scheduling providing a quick electronic auction market where participants can easily buy and sell electricity. It establishes MCP on hourly basis for the following day trading between buyers and sellers. Normally, PX arranges for credit management and settlement of scheduling and balancing between supply and demand ensuring non-discriminatory access, competitive environment and equal opportunity for all the participants. It removes several complexities leading to cost-effective electricity transaction in day-ahead and hour-ahead markets. The participants are utilities, power marketers, brokers, load aggregators, retailers, large industrial consumers and co-generators:

- (1) *Utility* – The generation facility having a cluster of generation units is referred to as utility.
- (2) *Marketer* – An agent for generation facilities for marketing power on behalf of the generators. This basically acts as an intermediary between buyer and seller arranging transmission or ancillary services. It is claimed that marketers are able to reduce prices and provide risk management services for retail customers.
- (3) *Broker* – An agent for negotiating contracts to purchase of electric energy and other services without owning any generation and transmission facilities. The broker does not take any ownership energy purchased or sold for its agents.

- (4) *Load aggregator* – The municipal or private entities that organise to combine several end-users for facilitating better dealing in sale and purchase of energy, transmission and other services on behalf of these small customers. Load aggregators normally combine buyers together arranging additional services and negotiating contract terms with retailers and energy service companies for their clients.
- (5) *Retailer* – An electric service provider who deals with direct transaction with end-user customers. They compete on the basis of price and services to sell electricity and other ancillary services to the end-users.
- (6) *Industrial customer* – A comparatively bigger size customer with its own distribution transformer and distribution arrangements. It can directly participate in open market competition.
- (7) *Co-generator* – An entity owning a generation unit that produces electricity and other form of useful thermal energy for use in industrial and commercial heating and cooling purposes. Co-generation is simultaneous production of electricity and usable heat energy from a common fuel source.

Microgrids with CHP and non-CHP microsources (distributed energy resources, DERs) fit well in the categories of industrial customers and co-generators and can participate in the PX area.

10.5 Market clearing price (MCP)

PX accepts bids from both suppliers and buyers to determine MCP for each of the 24 hourly periods in the trading day. Energy supply curve and energy demand curves are drawn through aggregation by computers from the available supply and demand bids, and MCP is determined at the intersection point of the two curves. MCP is the balance price at the market equilibrium for the aggregated supply and demand graphs. Generators bidding lower than MCP will incur loss whereas generators bidding higher than MCP will suffer from less-frequent or no operation of the generation units.

10.6 Day-ahead and hour-ahead markets

In the day-ahead market, for each hour of the 24-hour scheduling day, sellers bid their supply schedules while buyers bid their demand schedules at various prices and the MCP is determined for each hour. The sellers and buyers need to specify the resources of the sold power and the delivery points of the purchased power, respectively. Supply and demand are adjusted taking into consideration transmission congestion and ancillary services before PX finalises the schedules while the ISO takes care of the delivery.

The hour-ahead market is similar to the day-ahead market with the difference that the trading takes place on hourly basis, the available transfer capability (ATC) is reduced to include day-ahead trades and that the bids are

not iterative. The participants submit additional data including individual generation schedules, takeout point for demand, adjustment bids for congestion management and ancillary bids to the PX after the determination of the MCP. It enables the ISO and the PX to know the injection points of individual generating units to the transmission system.

The following terms are used in relation to day-ahead and hour-ahead markets as per the National Education Research and Evaluation Center (NEREC) definitions (www.nerec.com):

- (1) *ATC* – The available transfer capability (ATC) is defined as the measure of transfer capability remaining in the physical transmission network for further commercial activity over and above already committed uses.
- (2) *TTC* – The total transfer capability (TTC) is defined as the amount of the electric power that can be reliably transferred over interconnected transmission networks subject to certain conditions.
- (3) *TRM* – The transmission reliability margin (TRM) is defined as the amount of power transfer capability necessary for ensuring interconnected transmission network security within reasonable range of uncertainties in system conditions.
- (4) *CBM* – The capacity benefit margin (CBM) is defined as the amount of power transfer capability reserved by the load serving entities for ensuring access to generation from interconnected systems for meeting up generation reliability requirements.

The above four quantities are related as

$$TTC = ATC + TRM + CBM$$

10.7 Elastic and inelastic markets

An inelastic market cannot provide sufficient signals and incentives to customers for adjusting their demands as per market price. Thus, the customers are not motivated enough to adjust their demands for adapting to market conditions. Therefore, the MCP is determined mainly by the price structure of the suppliers. The power industry has been run for many decades with this inelastic demand or firm load, before the introduction of open access energy markets.

An elastic market, on the contrary, provides sufficient market signals and incentives to the customers encouraging the adjustment of their demands to adapt to market conditions leading to reduction in their overall energy costs.

10.8 Market power

Market power is defined as owning the ability by a single or a group of seller(s) to drive market price over a competitive level leading to control of the total output preventing competitors from relevant market participation

for a significant period of time. Thus, market power exerts monopoly preventing open access competition amongst prospective market participants, thereby leading to the deterioration of service quality and reliability, retardation in technological innovation and misallocation of resources. Market power is exercised intentionally when a participant in generation sector owns lion's share of total available generation. It may also be exercised accidentally by transmission constraints that limits the transfer capability in a certain area for maintaining system reliability and forces the customers to purchase power at higher rates from a local supplier. In case of constrained transmission, the remote units are restricted to supply power while local suppliers drive the market prices. Sometimes customers have to pay higher tariff irrespective of energy usage in off-peak periods due to unavailability of hourly metering which facilitates generators to drive up the market prices for their own benefit. The transmission sector also can exercise market power by providing transmission information to some specific affiliated generators and thereby preventing others from participating in the open competition.

Market powers are of two types

- (1) Vertical market power
- (2) Horizontal market power

10.8.1 Vertical market power

This is the ownership of a single firm or affiliate firms in power generation and market delivery process with control of a bottleneck in the process. The bottleneck comes from transmission lines through which electricity is delivered to intended buyers. The control of the process bottleneck enables the firm and its affiliates to exercise preference over competitive firms, leading to misuse of its control of transmission and distribution facilities.

A successful, well-planned, fully functional ISO can resolve the problems arising out of vertical market power.

10.8.2 Horizontal market power

This is the ability of a dominant firm or group of firms to control generation restricting output and thereby controlling market prices to its own benefit. It arises out of the local control exerted by sufficient concentration in ownership within a defined market area. It might be viewed as the misuse of influence of a particular group in maintaining the supply–demand equilibrium simply by withholding generation that ultimately results in higher market prices.

Herfindahl–Hirschman Index (HHI) gives a quantitative measure of market power. HHI is defined as the weighted sum of market shares of all the

participants in the market and quantified as the sum of the squares of market shares of the participants

$$\text{HHI} = \sum_{i=1}^N S_i^2$$

where N is the number of participants and S is the market share of the i th participant.

This market power can also be resolved through successful operation of the ISO.

10.9 Stranded costs

Stranded costs are defined as the costs of uneconomic and inefficient commitments or investments that are made by utilities in traditional monopoly regulation but quite unlikely to be recovered by selling electricity in open competitive market. Stranded cost, a terminology of restructuring process, is basically the difference between the costs that are expected to be recovered under the regulation of vertical monopoly and the costs that are recovered in open competitive market.

In vertical monopoly, utilities would recover their costs of business with considerable returns imposing higher rates of electric power on end-users. The change over from vertical monopoly to restructured electricity market is, however, likely to force the inefficient investments to become unrecoverable in the open competitive market. Thus, the recovery of stranded costs remains as a major economic issue in the restructured electricity market.

10.10 Transmission pricing

Transmission grid is the prime issue that dictates market competition and hence transmission pricing becomes a very important factor in an open competitive market. As per the guidelines of FERC, the transmission pricing should meet traditional revenue requirements of transmission owners, reflecting comparability, i.e. equal transmission cost for both the owner and the other participants for the same service. This pricing must also be practical enough to promote fairness and economic efficiency.

In spite of being a small fraction, as compared to power generation and utility operating expenses, transmission cost is quite significant because of the key importance of transmission function in market competition. Besides, transmission systems enhance power generation market efficiencies by providing true price signals that can be used as a criterion for augmenting transmission and generation capacities for accommodating future loads. Additional transmission capacity also relieves transmission constraints thus

allowing less-expensive generation technologies to replace the costlier ones, ultimately leading to increased customer savings.

Transmission price is determined by two methods

- (1) Contract path method
- (2) MW-mile method

10.10.1 Contract path method

In the contract path method, the transmission price is determined on the basis of a predefined path of power flow. Transmission pricing in this method is not accurate enough due to the presence of parallel paths for loop flows of power. Thus, the transmission owners might not be fully paid for the actual use of the facilities provided by them. Another shortcoming of this method is pancaking of transmission rates.

The parallel path flows or loop flows are basically the unscheduled power flows that take place on adjoining transmission systems during power transfer in an interconnected power system. Pancaking is defined as power flow crossing the boundary of a contract path of defined transmission ownership. Extra transmission charges are added to the power transaction leading to the increase in overall transmission price. Pancaking effect can be overcome by zonal pricing schemes of the ISO. In this scheme, the ISO-controlled transmission system is divided into zones and the transmission users need to pay on the basis of energy prices for the defined zones. Transmission price is independent of paths between two zones and number of crossings of zones.

10.10.2 MW-mile method

The MW-mile method of transmission pricing, used by some ISOs, is based on the distance traversed by the power flow and the amount of power flows in each line. This method can overcome the problems of loop power flows and gives no credit to counter-flows in transmission lines. However, transmission pricing in this method is quite complicated to incorporate all the energy prices of all the transmission lines.

10.11 Congestion management

Congestion is defined as the situation of overloading of transmission lines or transformers. It may take place due to transmission line outages, generator outages, changes in energy demand, uncoordinated power transactions, etc. It leads to prevention of new contracts, infeasibility in existing contracts, additional outages, monopoly of pricing in some regions as well as deterioration and damages of system components. Congestion may be partly prevented by reservations, rights and congestion pricing and corrected by technical controls

namely phase shifting, online transformer tapping, reactive VAR control, re-dispatch and rescheduling of generation and load curtailment. The fastest way to relieve congestion is removing congested lines leading to prevention of severe damages of system components.

The congestion management guidelines of FERC are as follows:

- (1) Clear and tradable rights should be established for transmission usage.
- (2) Efficient regional dispatch has to be promoted.
- (3) Emergence of secondary market should be supported for transmission rights.
- (4) Market participants should be provided with the opportunity for hedging locational differences in energy prices.
- (5) Congestion pricing should ensure that the generators dispatching with transmission constraints are those who can serve the system loads at least cost.
- (6) It should be ensured that the transmission capacity is used by those participants only who value that usage most.

In spite of difficulties and high costs, congestion management can be efficiently implemented in the market on the basis of locational marginal price (LMP) and financial rights for firm transmission service. This is due to the following factors:

- (1) LMP must allocate congestion charges directly in transmission as per customer's agreed actual dispatch and use of the system.
- (2) LMP should assist in creating financial transmission rights and enable customers to pay known rates and thus hedging against congestion charges.
- (3) Financial rights holders are entitled to share congestion revenues thus resolving the problem of over-recovery of transmission costs.

Another scheme of congestion management is the physical transmission rights scheme where these rights are tradable in secondary market. Initially these transmission rights are issued by ISO through auction or allocation after which participants exert sufficient ownership of the rights in a constrained interface before they exercise firm service over the interface. Thus, the role of ISO in congestion management is significantly reduced. Although, this scheme has been proved to be practical in areas of minor or infrequent congestion, it is not practicable in the acutely congested areas.

As per FERC guidelines, ISO has the right to order re-dispatch for system reliability but it needs to depend on market mechanisms for congestion management. In case of failure of market mechanism in mitigating congestion, the ISO has the authority to curtail some of the transmission service transactions that are contributing to the congestion. But ISO is not allowed to re-dispatch generations for exclusive purpose of congestion management. In vertically integrated monopoly, congestion costs are either ignored or hidden into

transmission charges. The major shortcoming of this system in congestion management was the absence of true price signal for efficient allocation of transmission resources.

10.11.1 Congestion pricing

Congestion costs are taken into account in all restructuring proposals allocating these costs to transmission system users in a fair way reflecting actual use of transmission system. Three basic methods of congestion pricing are namely (i) costs of out-of-merit dispatch, (ii) LMPs and (iii) usage charges of inter-zonal lines.

- (i) *Costs of out-of-merit dispatch* – This method is applicable in systems with less congestion problems. In this method, congestion costs are allocated to each load in the transmission system as per load ratio share.
- (ii) *Locational marginal prices (LMPs)* – This method is based on the cost of supplying energy to the next increment of load at a specific transmission grid location. The energy price for buyers is determined by open competition in the market at specific locations and the congestion costs on the basis of difference in LMPs of two locations. LMPs are calculated at all the nodes of transmission system based on bids provided to the PX.
- (iii) *Usage charges of inter-zonal lines* – In this method the ISO region is divided into several congestion zones on the basis of historical behaviour of constrained transmission paths. The entire transmission users must pay for using inter-zonal lines as per the bids submitted voluntarily by the market participants for adjusting power generation. Adjustment bids indicate the participants' willingness to pay the specified cost for increase or decrease of power generation.

10.11.2 Transmission rights

Transmission rights ensure efficient use of transmission system capacity and transmission capacity allocation to the users who value it the most. These are tradable rights allowing buyers to use transmission capacity and physical usage of transmission system. These rights enable utilities to purchase available transmission rights at a cheaper cost compared to big investments in installing new transmission system. The transmission system usage efficiency can be improved by offering capacity reservations to those who value them the most.

Fixed transmission rights are conceptually financial rights, which are equivalent to physical rights. This financial form is easier for trading and the usage of transmission system is not to be tied to ownership rights. A financial right is based on two points in the transmission grids, viz. the injection and the withdrawal points. The participant holding this right either pays or is paid a monetary value as per the difference in energy LMPs between two locations. The ISO runs a centralised auction for sale and purchase of rights. The owners of these rights are free to trade their rights in secondary markets as bilateral contracts.

10.11.3 Management of inter-zonal and intra-zonal congestions

Transmission network is a major role player in the open access power market. The phase shifters and transformer tap-changers play preventive and corrective roles in congestion management. These controllers help ISO to execute congestion mitigation without rescheduling generation dispatch schedules. Congestion management becomes easier with the implementation of inter-zonal and intra-zonal schemes considering intra-zonal and inter-zonal power flows and their effects on power system. The main objective of the management of these congestions is to minimise the number of adjustments of preferred schedules applying control schemes to minimise inter-zonal interactions considering contingency-constraint limits.

On the contrary to the practices of congestion management, new contracts are identified to redirect power flows on congested lines. Control devices namely phase shifters, transformer tap-changers and FACTS controllers play a vital role in relieving congestion in restructured environment by controlling line flows. Proper co-ordination of phase shifters and transformer tap-changers enhances trading possibilities and feasibility margins leading to the improvement of system performance and thus enables augmentation of more contracts. The ISO need not go for re-dispatch of preferred schedules for congestion management. The ISO can implement more efficient congestion management by (i) considering contingency limits during congestion mitigation, (ii) minimising number of adjustments and (iii) eliminating interactions between inter-zonal sub-problems, intra-zonal sub-problems and cross-border intra-zonal sub-problems.

The ISO performs contingency analysis after receiving preferred schedules from PX and identifying the worst contingency for modelling congestion management. Then the ISO checks the intra-zonal and inter-zonal congestion to minimise total congestion cost irrespective of scheduling co-ordinators' (SCs) preferred schedules. SCs co-ordinate with ISO on behalf of aggregators, retailers and customers for hourly distribution schedule, balanced schedule of generation to be injected into transmission grid and power to be withdrawn from the grid. The ISO uses incremental/decremental bids to relieve congestion. Inter-zonal congestion is more frequent than the intra-zonal one and hence first the inter-zonal contingency is solved followed by intra-zonal ones. All the inter-zonal congestions are checked by ISO one by one and it tries to solve any congestion by the actions of control devices avoiding any change in preferred schedules. Rescheduling of preferred schedules is the last resort for ISO to tackle transmission congestions. In case of detection of no congestion, submitted preferred schedules of PX and SCs are accepted as final real-time schedules.

10.12 Role of Microgrid in power market competition

10.12.1 Retail wheeling

The restructuring of electrical power industry has potential impact on the corporate structure of utilities, pricing of energy products and services, quality of service delivery to the customers and more so, on the selection of

energy generation technologies. The ISO interface in the wholesale market at the transmission level is well defined and reasonably accepted by the industry. Now the restructuring needs to extend its competitive market in the level of retailers for the development of open competitive retail market with direct access of the customers. In this market the consumers will be at liberty to choose their energy providers. The introduction of Microgrid needs to further incorporate technological and institutional changes for this retail wheeling.

The new paradigm for marketing of the transmission, distribution and consumption of electricity is retail wheeling with a target to lowering the energy costs. By virtue of retail wheeling, electric utilities can sell energy to remotely located customers. Customers can also purchase energy from remotely located utilities. In order to enhance cost efficiency, transmission and distribution tariffs of intermediaries need to be avoided by utilising DER technologies as Microgrids. Retail wheeling enables consumers to purchase cheaper electricity directly from providers without the involvement of local intermediaries. Hence, the participation of Microgrids in open competitive retail market is likely to be beneficial from customers' point of view. Microgrids can utilise the retail wheeling opportunities to sell power as well as various ancillary services to consumers through open retail market.

The development of retail competition to open services in the revenue cycle should start with metering and billing. Proponents of retail competition should have adequate information regarding customer profile. The retail competition might have to undergo considerable changes to accommodate the new technologies used in distribution and operational paradigm of the Microgrids. Appropriate commercial and regulatory framework should also be created for clearly defining the criteria for participation of Microgrids in the open retail power market.

The establishment of retail wheeling for Microgrids will take place only if the distribution level customers can be encouraged to purchase power and ancillary services from Microgrids. Besides, the retail market must be capable of injecting excess power from Microgrids to the main utility grid through open competition. This retail wheeling of excess energy is dependent on the operating conditions of the sub-station transformers. If the injection of this extra energy to the main utility is prohibited, then this energy will become surplus resulting in imposition of transmission and distribution (T&D) costs and possible congestion penalties on both sellers and purchasers. In order to sell extra energy to other distribution systems, the Microgrids must sell it through the retail market via the concerned transmission system owner/operator in the locality.

10.12.2 Ancillary services

Microgrids can provide potential ancillary services to the power system for maintaining its voltage/frequency profile, stability and reliability. The capability of DERs to quickly ramp up and shut down their generation would definitely enable Microgrids to take the advantage of short-term selling opportunities with a choice of spinning reserve. By virtue of power electronic

interfaces (PEIs), Microgrid generators are fully equipped to supply reactive powers for distribution system voltage support. These PEIs can be suitably configured to provide the necessary reactive power for ancillary services. Microgrids are quite capable of selling, through open retail market, the ancillary services for providing support for the stability of system frequency maintaining voltage profiles which are susceptible to load fluctuations and other contingencies in distribution systems.

Open wholesale markets for ancillary services are already available in the transmission level as operated and controlled by the ISOs. The ancillary services provided by Microgrids are quite comprehensive and useful. But the main bottleneck arises from the lack of established open retail market for these ancillary services in distribution level. It leads to adverse effects in retail market competition. There is no established retail market mechanism for equitable treatment of the ancillary services of Microgrid DERs in comparison to those provided by distribution systems. Hence, it creates discrepancy in Microgrid ancillary services irrespective of their cost-effectiveness. Thus with the establishment of power retail market, it is significantly important to establish ancillary services market enabling Microgrids to participate in this open ancillary services market.

In vertically integrated monopoly, ancillary services are provided by central generators that result in significant system losses while delivering these services, thereby increasing the costs of power transmission and distribution. Since the Microgrid DERs are located close to the customers, the full range of ancillary services provided by Microgrids can be purchased at cheaper rates by customers in addition to electrical energy from Microgrid DER generators. It results in drastic reduction of transmission and distribution losses.

The Microgrid DERs would be able to compete fully for ancillary services in open market only when ancillary services would be from energy supply. Therefore, strong policy incentives and effectively open market mechanisms for ancillary services are the prerequisites for making the fullest use of DER potentials in Microgrid paradigm.

10.12.3 Role of aggregators

The direct participation of DERs in retail market might not be feasible if the ISO faces problems in dealing with a large number of individual resources. This would ultimately call for DER integration leading to the development of Microgrids. Integration of large number of DERs, however, would necessitate the installation of extensive communication facilities for handling huge amount of information. In this matter, aggregators can provide substantial help to the ISO in managing DER units, thereby helping to bridge the gaps of control and management issues for both the ISO and the DERs. An aggregator can become the single point of contact for ISO in handling a large number of DERs for a reasonable amount of capacity like the ISO interface with generating resources.

Irrespective of different functions and characteristics, there is extensive interaction between wholesale and retail markets. Aggregators play an indispensable role in a complex power market environment with a large number of participants for the normal operation of the market. Aggregators usually trade electric energy as per its collected supply–demand information. The role of aggregators in the retail market is significantly much more than that in wholesale market. It is because of the presence of large number of participants in the retail market unlike the wholesale market. Besides, most of the DER investors prefer to perform the trade and management of their generated energy engaging a third party with good experience in power marketing and reasonable knowledge of DER functions. The aggregation of DER generation is mainly focused on (i) energy supply of DERs, (ii) energy demand for DERs and (iii) supply of ancillary services of DERs.

The distribution network operator (DNO) verifies and ensures distribution system operation reliability. Aggregators greatly reduce the workload burdens of both ISO and local DNO particularly when the number of retail market participants is very high. Retail market trading for DER energy is depicted in Figure 10.1.

Since the major advantage of DER generation is elimination of transmission and distribution costs, aggregators take care of the local distribution systems. In case of necessity of wheeling surplus energy to other regions,

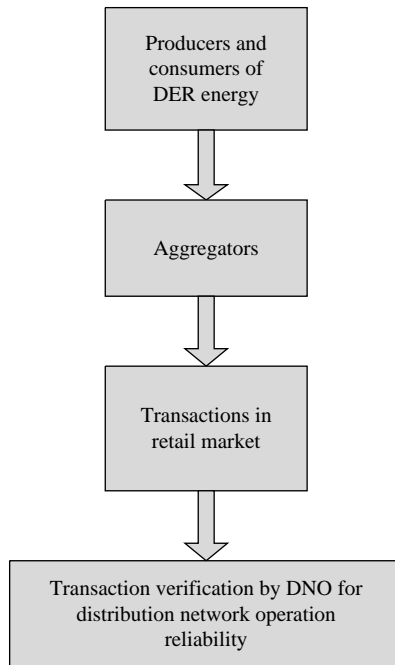


Figure 10.1 DER participation in retail market power trading

aggregators are to include associated transmission and distribution costs in addition with the possible congestion penalties in its energy pricing. Bulk power generators normally participate in wholesale market, but they can also opt for participation in retail market competition with the help of aggregators. The ISO is solely responsible for verification and ensuring reliability of energy transactions across transmission network irrespective of the market in which the energy is dealt with. The DNO is only responsible for the verification of the reliability of retail transactions within the distribution system. The comprehensive dealing of energy in wholesale and retail power markets is depicted in Figure 10.2.

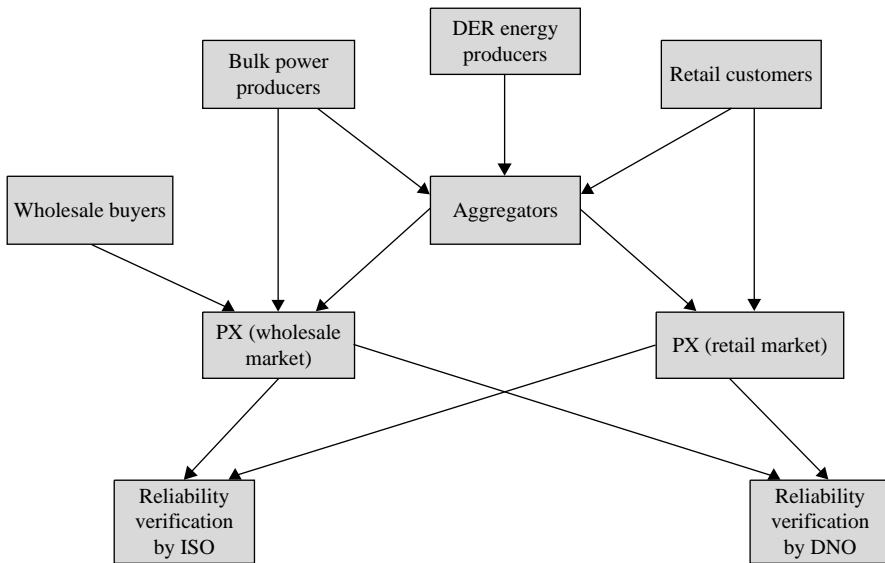


Figure 10.2 DER participation in comprehensive power market

Aggregators help interested and prospective DER investors to participate in the ancillary services market after determining their collective capability to provide each ancillary service at negotiable prices. Afterwards, aggregators negotiate the price of the ancillary services with the ISO in iterative manner. Thus, the aggregators have to establish communication network both with the ISO and the DER units.

The aggregators determine the price and committed quantity for aggregation by negotiating with ancillary services market and DER owners in real time. It is executed after assembling the collection of DER capabilities into a coherent ancillary service bid for day-ahead and hour-ahead markets. Aggregators also need to get involved in performance evaluation and compensation of DER units on the basis of market rules established for ancillary service providers. Market provision for ancillary services requires price negotiation through a bidding scheme unlike that in a vertically integrated utility monopoly.

10.13 Conclusion

DER technologies can fruitfully be utilised in a cost-effective manner for congestion management. Since DER generation can be easily installed in high-price areas of power system, congestion pricing should be utilised as an incentive for DER investors. But the deployment of DERs in high-price congested area would be economically viable as long as the transmission congestion exists. If congestion is mitigated by installing new transmission facilities, then the DER owners would not be able to compete in the retail market as the energy production would still be costlier with DERs in comparison to central generators, in spite of drastic reduction in transmission and distribution costs. Moreover, DER generators would have to pay for congestion costs if the surplus energy cannot be properly dispatched to other distribution networks through retail wheeling. DER energy prices might also rise for retail wheeling because of the cost involvement in using transmission facilities. This acts as a potential threat for DER investors to deploy DER generation in high-price congested areas. Besides, DER generation is not economically viable in low-price zones, unless the ancillary services of high-efficiency DERs are considered for the participation in open retail market.

The potential barrier to successful application of DER technologies is the lack of established scope for open competition in retail market both for generated energy and ancillary services. If the potential advantages of DER technologies, in the form of ancillary services, co-generation facilities, minimum environmental impact, are not properly utilised and sold in open competitive retail market then the survival of DERs would really be difficult.

The new paradigm of Microgrid is the only solution for successful application of DER technologies for cost-effective and efficient operation of distribution systems. The available ancillary services of DER technologies can fully be used by Microgrids in maintaining system security, reliability, voltage and frequency profiles at reasonably lower costs. In the era of restructuring, the electrical industry needs to be further restructured by the intervention of government bodies and regulatory commissions. It would establish open competitive retail market for Microgrids for supplying generated energy and ancillary services at competitive prices. The CHP-based DERs in Microgrids can be operated at the highest efficiency points if the generation is fully controlled by the heat generation capacity of the system. This can, however, be ensured only when absolutely free and open competitive retail market would be established for trading generated electric and heat energy as well as ancillary services. Thus, Microgrids can be successful as alternate power systems in establishing the paradigm of Green Power by minimising greenhouse gas emissions and by drastically reducing global warming through utilisation of waste heat in domestic as well as industrial heating and cooling applications.

Appendix A

Modelling and performance analysis of microturbine in stand-alone and grid-connected modes

A.1 Model description

This section discusses the modelling and simulation of a microturbine-generator (MTG) system consisting of a microturbine (MT) coupled with a synchronous generator. The model is then used to perform the load-following analysis of the MTG system in both stand-alone and grid-connected modes. Simulation is done in MATLAB Simulink platform.

The MTG is analysed for slow dynamic performance of the system and not for transient behaviours. Therefore modelling is based on the following assumptions:

- (1) System operation is under normal operating conditions. Start-up, shut-down and fast dynamics (faults, loss of power, etc.) are not included.
- (2) The MT's electromechanical behaviour is of main interest. The recuperator is not included in the model as it is only a heat exchanger to raise engine efficiency. Also, due to the recuperator's very slow response time, it has little influence on the timescale of dynamic simulations.
- (3) The temperature and acceleration controls have been omitted in the turbine model as they have no impact on the normal operating conditions. Temperature control acts as an upper output power limit. At normal operating conditions, the turbine temperature remains steady, and hence, it can be omitted from the model. Acceleration control is used primarily during turbine start-up to limit the rate of the rotor acceleration prior to reaching operating speed. If the operating speed of the system is closer to its rated speed, the acceleration control could be eliminated in the modelling.
- (4) Governor model has been omitted as the MT does not use any governor.

The simplified block diagram for MT model is shown in Figure A.1.

The main emphasis is on active power control; therefore, the entire control system is simplified as an active power proportional-integral (PI) control

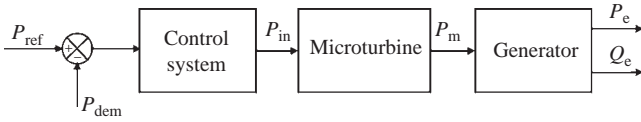


Figure A.1 *Microturbine model*

function. The controlled active power is applied to the turbine. Active power control is represented as a conventional PI controller as illustrated in Figure A.2.

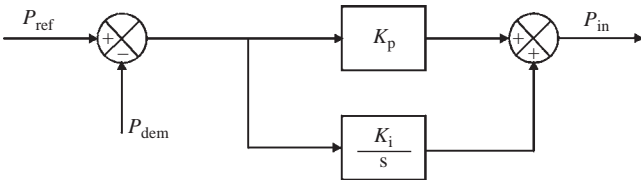


Figure A.2 *Controller model*

The controller model variables are as follows: P_{in} , active power control variable applied to the input of MT; P_{dem} , actual load demand; P_{ref} , preset power reference; K_p , proportional gain of PI controller; K_i , integral gain of PI controller.

Standard GAST turbine model shown in Figure A.3 is used for simulation. The advantages of GAST model are that it is simple following typical

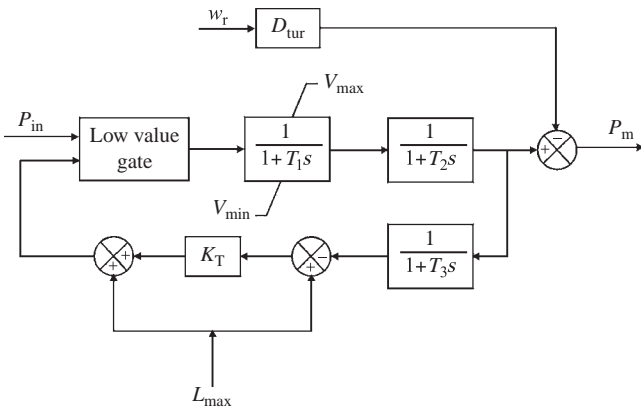


Figure A.3 *Turbine model*

guidelines and is a WSCC (Western System Co-ordinating Council) model that can be directly used in specific commercial simulation programmes.

The main utility grid is represented by an 11-kV distribution network model using a simple R-L equivalent source of short-circuit level 500 kVA with a load of 5 kW. Grid is integrated into the MT via a 200 kVA, three-phase, 60 Hz, 11/0.440 kV and Y- Δ transformer. The alternator coupled to the MT is modelled as a standard MATLAB Simulink synchronous machine block. The interconnection between the main grid and the MTG is shown in Figure A.4(a). The MTG is capable of supplying its own loads as well as operating in synchronism with the grid. The MTG can be connected to or disconnected from grid by closing or opening the circuit breaker (CB) at the point of common coupling (PCC). Figure A.4(b) shows the MATLAB model of the MTG system.

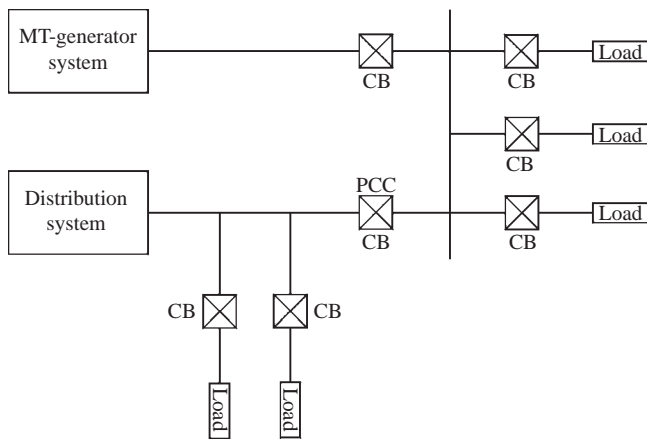


Figure A.4 (a) System configuration block diagram

A.2 Model parameters

The parameters used for simulation of the MT, the alternator and the grid are based on previously reported works and are illustrated in Tables A.1–A.3 respectively.

A.3 Case studies

Following cases have been simulated in MATLAB Simulink environment. Total simulation time for each case is 300 seconds for stand-alone mode and 500 seconds for grid-connected mode. The output powers

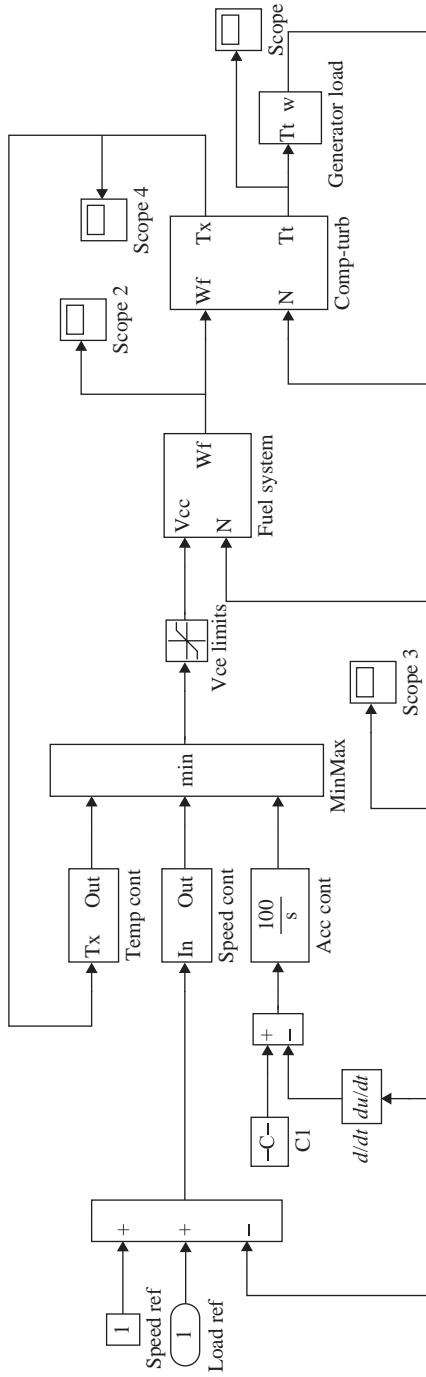


Figure A.4 (b) MATLAB model of MTG system

Table A.1 Microturbine parameters

Parameter	Value
Rated power (P_{rate})	150 kVA
Active power reference (P_{ref})	1.0
Proportional gain (K_p)	0.1
Integral gain (K_i)	1.0
Damping of turbine (D_{tur})	0.03
Fuel system lag time constant 1 (T_1)	10.0 s
Fuel system lag time constant 2 (T_2)	0.1 s
Load limit time constant (T_3)	3.0 s
Load limit (L_{max})	1.2
Maximum value position (V_{max})	1.2
Minimum value position (V_{min})	0.1
Temperature control loop gain (K_T)	1.0

Table A.2 Alternator parameters

Parameter	Value
Rated power (P_{rate})	150 kVA
Rated voltage (V_{rate})	440 V
Frequency (f)	60 Hz
Number of poles (P)	2
Damping factor (K_D)	60 p.u.
Inertia constant (H)	0.822 s
Internal resistance (R)	0.02 p.u.
Internal reactance (X)	0.3 p.u.

Table A.3 Grid parameters

Parameter	Value
Three-phase source base voltage	11 kV
Three-phase source S.C. level	500 kVA
Three-phase source X/R ratio	6
Distribution transformer nominal power	200 kVA
Frequency	60 Hz
Distribution transformer primary voltage	11 kV
Distribution transformer secondary voltage	440 V

and loads are expressed as per unit (p.u.) with 150 kVA base. The speed responses are also expressed in per unit with reference to a base speed of 3,600 rpm.

A.3.1 Stand-alone mode

A.3.1.1 Case 1

In this case, the stand-alone MTG system is initially running with a load of 30 kW (0.2 p.u.) applied to the generator bus up to $t = 150$ seconds. Another step load of 90 kW (0.6 p.u.) is applied at $t = 150$ seconds. The load on the MTG system is shown in Figure A.5.

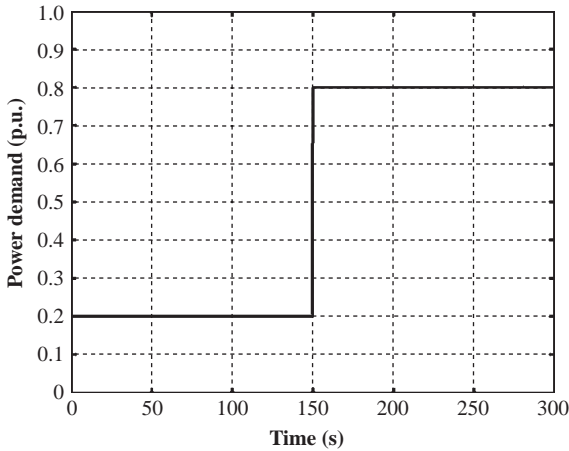


Figure A.5 Load on MTG system

Figure A.6(a) shows the mechanical power output of MT. It is observed that MT power output takes about 90 seconds to match the load demand. MTG speed plotted in Figure A.6(b) shows that MTG system takes almost the same time to reach the new steady-state speed at the new load.

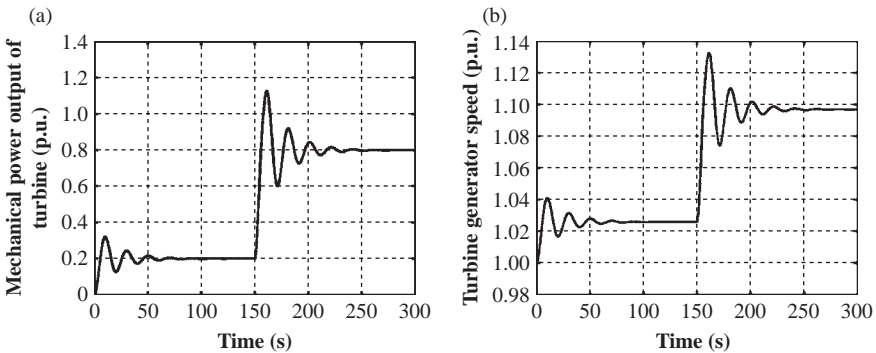


Figure A.6 (a) MT mechanical power; (b) MTG speed

The electrical power output of the generator is shown in Figure A.7. It is seen to closely follow the step change in load demand.

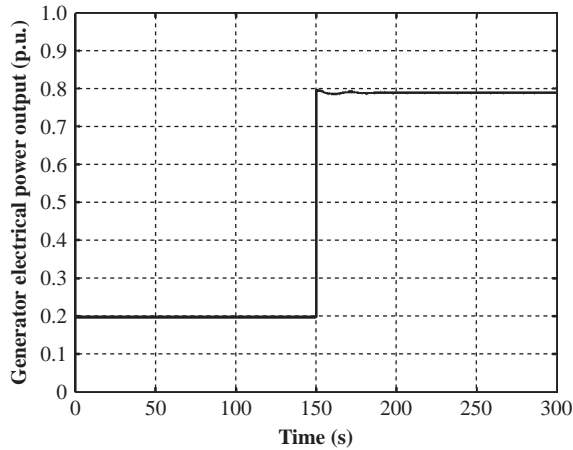


Figure A.7 Generator electrical power

A.3.1.2 Case 2

In this case, a speed control has been incorporated in the stand-alone MTG system to maintain the speed constant at 1 p.u. The MTG is running initially at no load. At time $t = 50$ seconds a load of 0.2 p.u. is applied and at $t = 200$ seconds another load of 0.6 p.u. is applied. The mechanical power output of the MT shown in Figure A.8 indicates that the MT follows the load demand with a time lag of approximately 50 seconds.

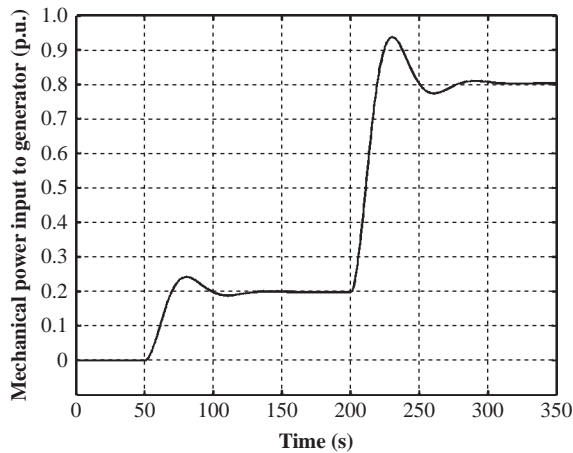


Figure A.8 MT mechanical power

The generator power output shown in Figure A.9 indicates that it closely follows the load as in Case 1. The plot of MTG speed shown in Figure A.10 indicates that speed reaches 1 p.u. and is maintained at that level at the new load.

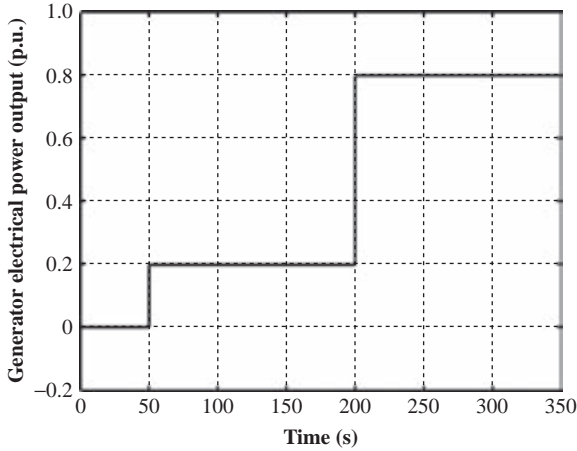


Figure A.9 *Generator electrical power*

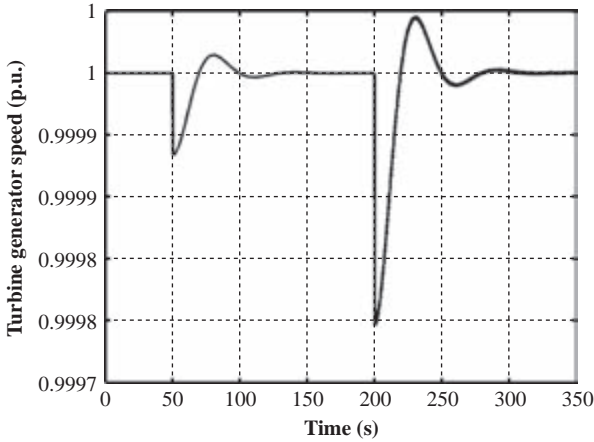


Figure A.10 *MTG speed*

A.3.2 *Grid-connected mode*

A.3.2.1 **Case 1**

In this mode, the MTG system is connected to the utility grid. Initially, both MTG system and grid are running separately at no load. At $t = 5$ seconds, loads

of 0.2 p.u. and 160 kW (1.07 p.u.) are applied separately to the MTG and the grid, respectively. At $t = 125$ seconds another load of 0.6 p.u. is applied to MTG. At $t = 250$ seconds, the MTG is interconnected with the grid and at $t = 375$ seconds it is again disconnected from the grid. The MT mechanical power output and the generator electrical power output are shown in Figures A.11 and A.12, respectively.

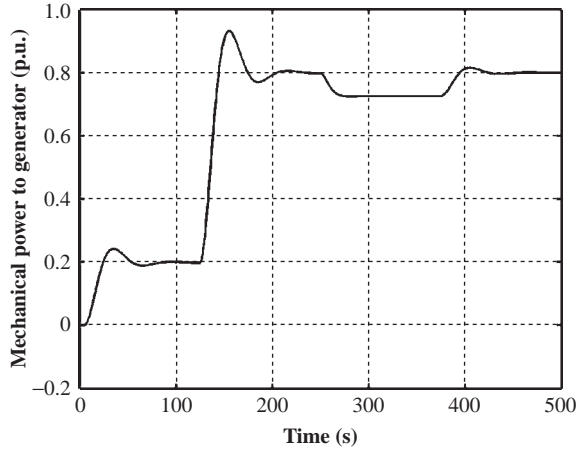


Figure A.11 MT mechanical power

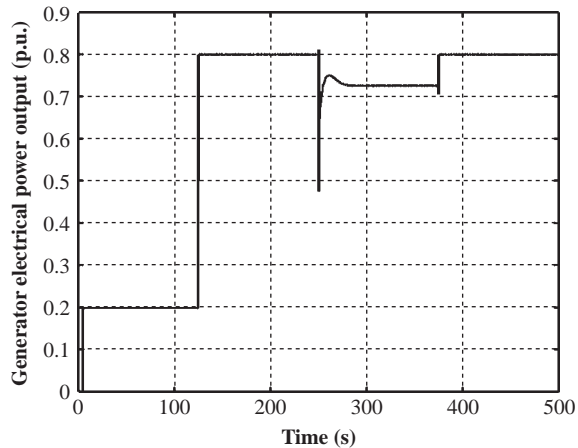


Figure A.12 Generator electrical power

The responses show that load on MTG reduces to some extent due to grid support when it is grid-connected from $t = 250$ to 375 seconds. When stand-alone, the MTG is taking up its entire load of 0.8 p.u. Figure A.13 shows that the

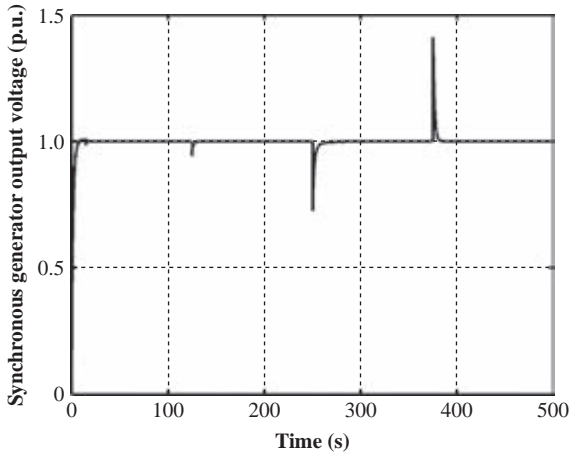


Figure A.13 Generator voltage

generator voltage dips from 1 p.u. at $t = 250$ seconds during grid-connection but again settles down to 1 p.u. Again, during grid-disconnection generator voltage momentarily shoots up above 1 p.u. but again settles down to 1 p.u. The variation of MTG speed shown in Figure A.14 indicates that speed settles down to 1 p.u. after application of load and after connection and disconnection events.

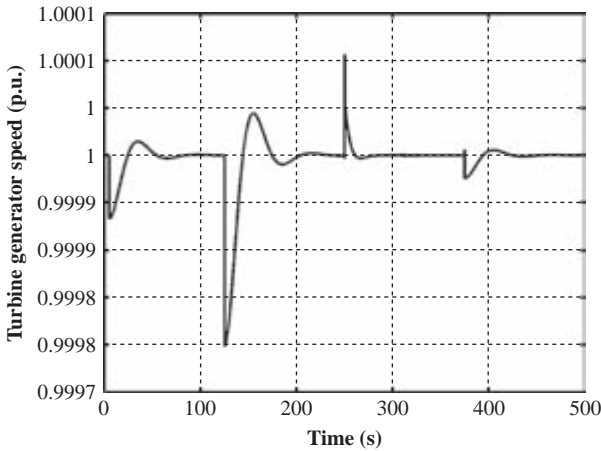


Figure A.14 MTG speed

The plot of grid power in Figure A.15 shows that when MTG is connected to the grid at $t = 250$ seconds, it shares a load of about 12 kW (0.08 p.u.) from the MTG. This is also evident from Figures A.11 and A.12 that show a similar 0.08 p.u. reduction in MT mechanical power and generator electrical power,

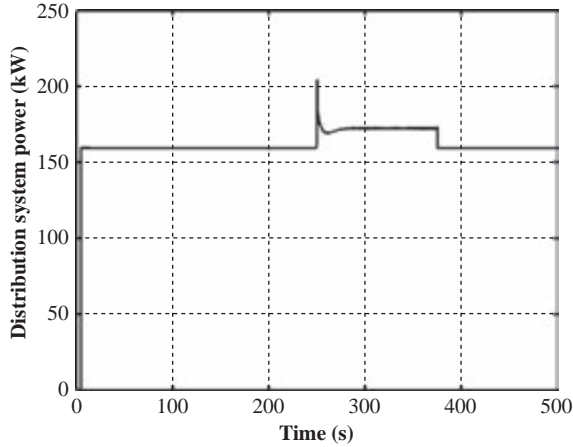


Figure A.15 Grid power

respectively. The shared load is again transferred to MTG as it is disconnected at $t = 375$ seconds.

A.3.2.2 Case 2

Here, the MTG load is varied when it is connected with the grid. Initially, both the MTG system and grid are running separately at no load. At $t = 5$ seconds, loads of 0.2 p.u. and 160 kW (1.07 p.u.) are applied separately to the MTG and the grid, respectively. At $t = 100$ seconds the MTG system is interconnected with the grid and at $t = 150$ seconds another load of 0.6 p.u. is applied to MTG. The MT mechanical power output, the generator electrical power output and grid power are shown in Figures A.16–A.18, respectively.

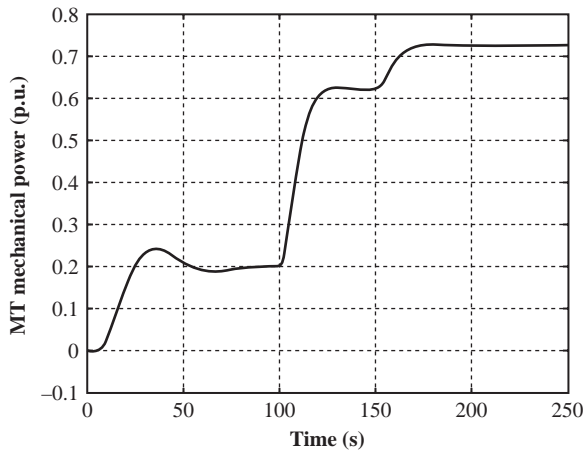


Figure A.16 MT mechanical power

The plot of MT mechanical power in Figure A.16 indicates that it effectively follows the power demand. Then it shares a portion of grid power when connected to the grid at $t = 100$ seconds. MT power again increases when the power demand is increased. It has been observed that the MT supplies 0.7623 p.u., whereas the remaining portion is shared by the grid. Figure A.17 shows that the generator electrical power is found to follow the same pattern as MT mechanical power. Grid power plot of Figure A.18 illustrates that grid power decreases when it is connected with the MTG system as they share each other's demands. However, grid shares a portion of MTG demand as the load on the MTG system is increased at $t = 150$ seconds.

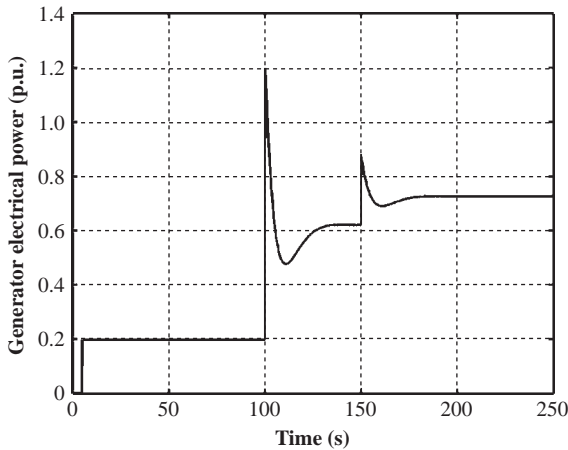


Figure A.17 Generator electrical power

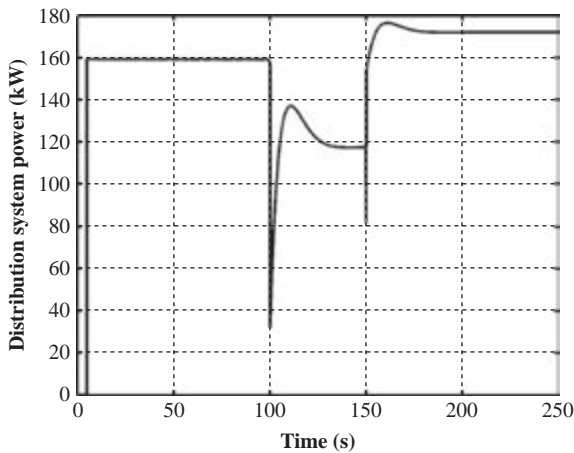


Figure A.18 Grid power

A.3.2.3 Case 3

In this case, the grid load is varied when it is connected with the MTG system. Initially, both the MTG system and the grid are running separately at no load. At $t = 5$ seconds, loads of 0.5 p.u. and 160 kW (1.07 p.u.) are applied separately to the MTG and the grid, respectively. At $t = 100$ seconds the MTG system is interconnected with the grid and at $t = 150$ seconds another load of 40 kW (0.2667 p.u.) is applied to the grid. The MT mechanical power output, the generator electrical power output and grid power are shown in Figures A.19–A.21, respectively.

The plot of MT mechanical power in Figure A.19 shows that it effectively follows the power demand. Then it shares a portion of grid power when

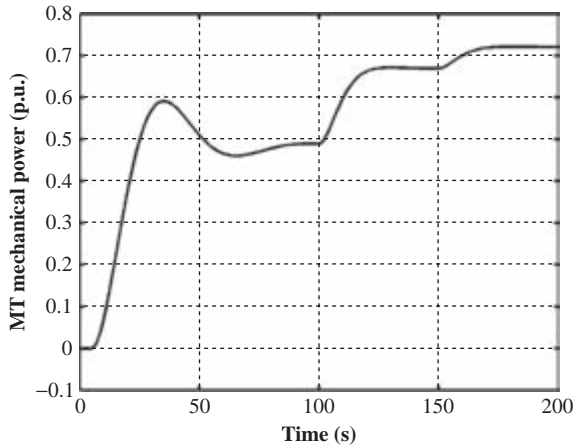


Figure A.19 MT mechanical power

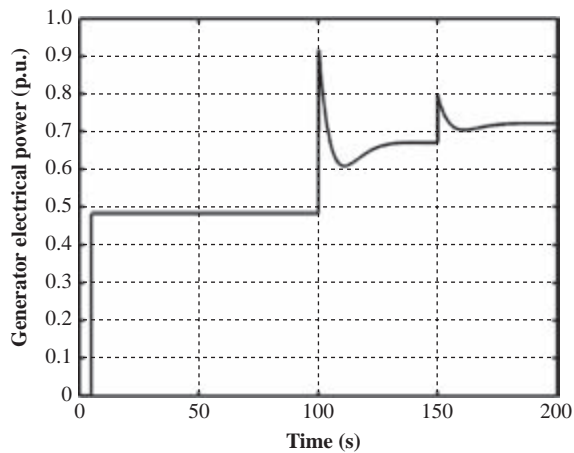


Figure A.20 Generator electrical power

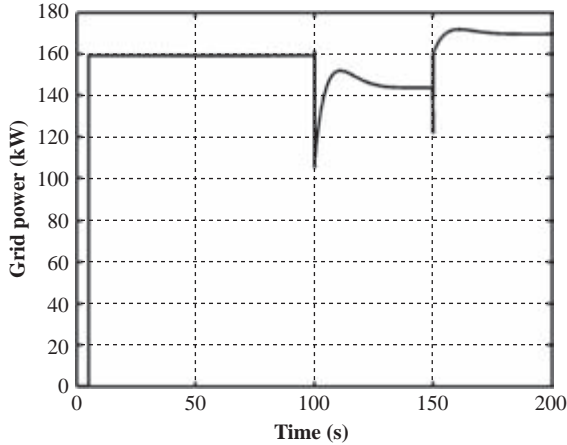


Figure A.21 Grid power

connected to the grid at $t = 100$ seconds. The power again increases when the power demand is increased on the grid. It has been observed that the MT supplies 0.7213 p.u. as it shares a portion of connected load to the grid. The generator electrical power is found to follow the MT mechanical power as illustrated in Figure A.20. The grid power shown in Figure A.21 illustrates that its power decreases when it is connected with the MTG system. However, it shares a portion of MTG demand when load on the MTG system is increased at $t = 150$ seconds.

A.3.3 MTG performance

For performance analysis, the MTG is simulated under different load conditions. Table A.4 shows the MTG operating parameters – viz. generator voltage, current, turbine torque and speed – under different loading conditions as obtained from simulation without speed control and stand-alone mode of the set.

Table A.4 Generator load versus operating parameters

Load (kW)	Voltage (V)	Current (A)	Turbine torque (p.u.)	MTG speed (p.u.)
15	440.05	19.68	0.0998	1.01
30	440.05	39.36	0.1998	1.02
45	440.05	59.04	0.2998	1.03
60	439.99	78.73	0.3997	1.05
75	440.01	98.41	0.4996	1.06
90	439.97	118.10	0.6004	1.07
105	439.98	137.78	0.6998	1.08
120	439.99	157.46	0.8003	1.09
135	440.03	177.14	0.8996	1.10
150	440.01	196.82	0.9997	1.17

Appendix B

Dynamic modelling and performance analysis of a DFIG wind energy conversion system

List of symbols

$V_{ds}, V_{qs}, V_{dr}, V_{qr}$	d–q axis machine voltages
$i_{ds}, i_{qs}, i_{dr}, i_{qr}$	d–q axis machine currents
φ	flux linkage
ω_b	base electrical frequency
ω	angular velocity of reference frame
ω_r	angular frequency of rotor
T_{em}	electromagnetic torque
T_{mech}	externally applied mechanical torque
T_{damp}	damping torque
H	inertia constant
r	resistance
x	reactance
d	suffix for direct axis
q	suffix for quadrature axis
s, r	suffices for stator and rotor, respectively
l, m	suffices for leakage and magnetising

B.1 Model description

This section describes an integrated dynamic model of a 750 W variable speed doubly fed induction generator (DFIG)-based wind energy conversion system (WECS). Separate mathematical models are developed for wind flow, rotor, gear and the DFIG using MATLAB Simulink. The WECS model is also validated using realistic data. The model is helpful in choosing an appropriate WECS for any given wind regime.

A typical WECS is shown in Figure B.1. Intermediate output of different models and the overall electrical power output of the proposed WECS are presented in this appendix.

Considering the actual and real configuration of wind farms (electronic components, generator, protection systems, etc.), the developed solution must

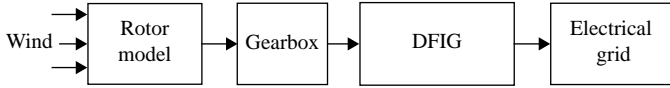


Figure B.1 WECS block diagram

be simple, effective and robust so as to be installed in these real systems. Thus, the methodology used for modelling is based on the following objectives:

- (1) Analysis of the dynamic performance of a 750 W DFIG in order to calculate its active and reactive power generation capability.
- (2) Development of a precise mathematical model for a DFIG and validation of the model with real data.
- (3) Implementation of the designed control laws on the developed and validated model and analysis of their dynamic performance.
- (4) Possibility of installing the designed laws on a real generator and its advantages and problems.

B.1.1 Wind velocity module

The wind velocities are synthesised using step input signals sampled over a period of time. The wind signals are represented using standard Simulink step signal blocks. Each step block is assigned with time and amplitude of wind velocity. These step signals are fed to a summation block to generate the wind velocities over a period of time. A model of wind velocity generator is shown in Figure B.2. A generated wind velocity profile signal for a time period of 25 seconds, used for testing, is shown in Figure B.3.

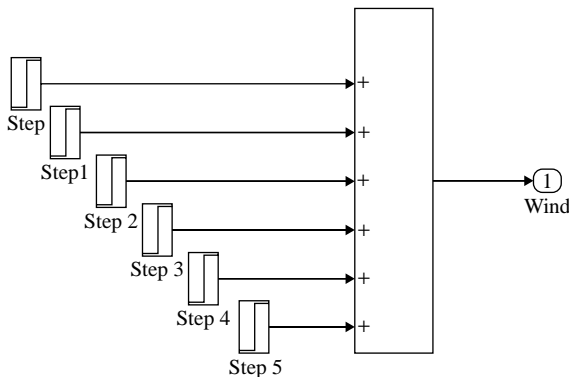


Figure B.2 Wind velocity model

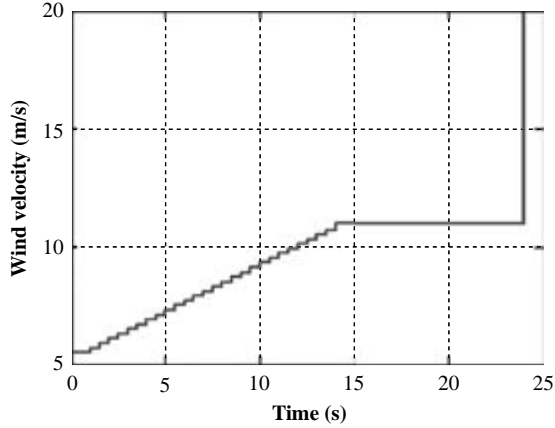


Figure B.3 Synthesis of wind velocity profile

The total power available to a wind turbine is the rate of the incoming kinetic energy of a wind stream. The total power in the wind is directly proportional to the cube of wind velocity and is given by

$$P_W = \frac{1}{2} \rho A V^3 \quad (\text{B.1})$$

where P_W is the power in W, A the rotor swept area in m^2 , ρ the air density in kg/m^3 and V the wind velocity in m/s .

The aerodynamic lift and drag force on the rotor blades produce the torque on the turbine rotor, which is given by

$$T_{\text{rot}} = \frac{P_{\text{aero}}}{\omega_{\text{rot}}} = T_L \quad (\text{B.2})$$

where P_{aero} is the aerodynamic power developed on the main shaft of the rotor, ω_{rot} the angular frequency of the rotor and T_L the low-speed shaft torque.

Aerodynamic power available in the wind can be calculated as follows:

$$P_{\text{aero}} = C_p P_W \quad (\text{B.3})$$

where C_p is the coefficient of performance. Figure B.4 shows the rotor model output.

B.1.2 Gear model

The gear model is shown in Figure B.5. Input to the model is the aerodynamic torque. This torque is low-speed shaft torque T_L , which is converted into high-speed shaft torque T_H through gearbox. It is assumed that

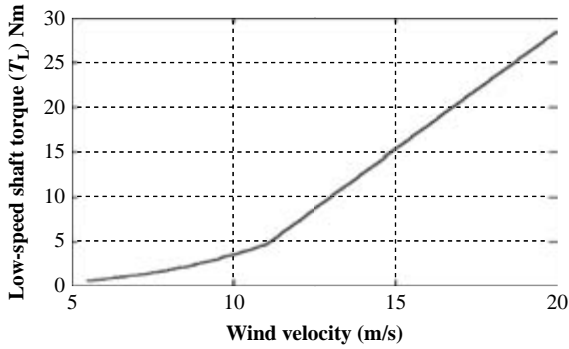


Figure B.4 *Low-speed shaft torque, T_L*

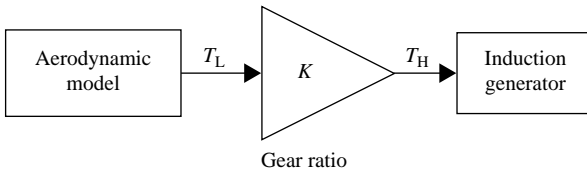


Figure B.5 *Gear model*

the losses in the gearbox are zero, thus gear transmits ideally from low speed to high speed:

$$T_H = \frac{T_L}{\eta_{gear}}, \text{ where } \eta_{gear} = \text{gear ratio} \tag{B.4}$$

Figure B.6 shows a sample output of the model.

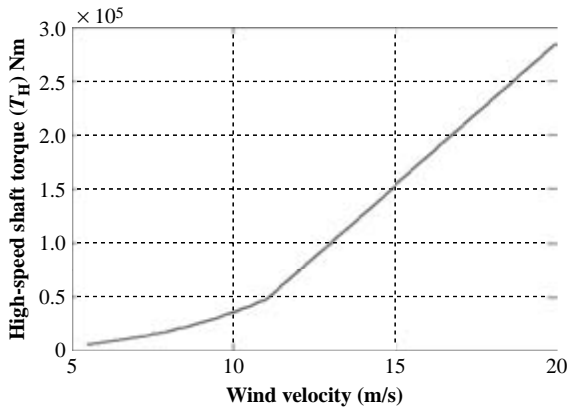


Figure B.6 *High-speed shaft torque*

B.1.3 DFIG model

The wound rotor-type doubly fed induction generator (DFIG) model is selected for study because it is robust and easy to control from both rotor and stator side. While modelling a DFIG under different wind speeds, it is important to consider that this kind of wound rotor machine has to be fed from both stator and rotor sides. Normally, the stator is directly connected to the grid and the rotor side is interfaced through a variable-frequency power converter. In order to cover a wide operation range from subsynchronous to supersynchronous speeds, the power converter placed on the rotor side has to operate with power flowing in both directions.

B.1.3.1 d–q Model of DFIG

The d–q axis representation of induction generator is used for simulation, taking flux linkage as basic variable. It is based on fifth-order two axis representations commonly known as the ‘Park model’. Here an equivalent two-phase machine represents a three-phase machine, where d^s – q^s correspond to *stator direct and quadrature axes*, and d^r – q^r correspond to *rotor direct and quadrature axes*. A synchronously rotating d–q reference frame is used with the direct d-axis oriented along the stator flux position. In this way, decoupled control between the electrical torque and the rotor excitation current is obtained. The reference frame is rotating with the same speed as the stator voltage. While modelling the DFIG, the generator convention is used, indicating that the currents are outputs and that power has a negative sign when fed into the grid.

B.1.3.2 Axes transformation

The d–q model requires that all the three-phase variables have to be transformed into the two-phase synchronously rotating frame. A symmetrical three-phase induction machine with stationary axes as-bs-cs separated by $2\pi/3$ -angle is considered. Here the three-phase stationary reference frames (d^s – q^s) variables are transformed into synchronously rotating reference frame (d^e – q^e). Assume that the d^s – q^s axes are oriented at an angle of θ . The voltages V_{ds}^s and V_{qs}^s can be resolved into as-bs-cs components and can be represented in the matrix form as follows:

$$\begin{bmatrix} V_{as} \\ V_{bs} \\ V_{cs} \end{bmatrix} = \begin{bmatrix} \cos \theta & \sin \theta & 1 \\ \cos(\theta - 120) & \sin(\theta - 120) & 1 \\ \cos(\theta + 120) & \sin(\theta + 120) & 1 \end{bmatrix} \begin{bmatrix} V_{qs}^s \\ V_{ds}^s \\ V_{0s}^s \end{bmatrix} \quad (\text{B.5})$$

$$\begin{bmatrix} V_{qs}^s \\ V_{ds}^s \\ V_{0s}^s \end{bmatrix} = \begin{pmatrix} 2 \\ 3 \end{pmatrix} \begin{bmatrix} \cos \theta & \cos(\theta - 120) & \cos(\theta + 120) \\ \sin \theta & \sin(\theta - 120) & \sin(\theta + 120) \\ 0.5 & 0.5 & 0.5 \end{bmatrix} \begin{bmatrix} V_{as} \\ V_{bs} \\ V_{cs} \end{bmatrix} \quad (\text{B.6})$$

where V_{0s}^s is added as the zero sequence component, which may not be present. Equation (B.6) represents transformation of three-phase quantities into two-phase (d-q) quantities. The current and flux linkages can be transformed by similar equations.

The main variables of the machine in rotating frame are flux linkages φ_{qs} , φ_{ds} , φ'_{qr} and φ'_{dr} in state space form, which are given as follows:

$$\varphi_{qs} = \omega_b \int \left(V_{qs} - \left(\frac{\omega_r}{\omega_b \varphi_{ds}} \right) + \frac{(r_s/x_{ls})}{\varphi_{mq} - \varphi_{qs}} \right) \quad (\text{B.7})$$

$$\varphi_{ds} = \omega_b \int \left(V_{ds} - \left(\frac{\omega_r}{\omega_b \varphi_{qs}} \right) + \frac{(r_s/x_{ls})}{\varphi_{md} - \varphi_{ds}} \right) \quad (\text{B.8})$$

$$\varphi'_{qr} = \omega_b \int \frac{r' r / x_{lr}}{\varphi_{mq} - \varphi'_{qr}} \quad (\text{B.9})$$

$$\varphi'_{dr} = \omega_b \int \frac{r' r / x_{lr}}{\varphi_{md} - \varphi'_{dr}} \quad (\text{B.10})$$

Currents can be calculated by substituting conditions $\omega = \omega_r$ and $V_{qr} = V_{dr} = 0$ in (B.7)–(B.10):

$$i_{qs} = \frac{(\varphi_{qs} - \varphi_{mq})}{x_{ls}} \quad (\text{B.11})$$

$$i_{ds} = \frac{(\varphi_{ds} - \varphi_{md})}{x_{ls}} \quad (\text{B.12})$$

$$i'_{qr} = \frac{(\varphi'_{qr} - \varphi_{mq})}{x'_{lr}} \quad (\text{B.13})$$

$$i'_{dr} = \frac{(\varphi'_{dr} - \varphi_{md})}{x'_{lr}} \quad (\text{B.14})$$

Solving (B.11)–(B.14), φ_{mq} and φ_{md} are obtained as follows:

$$\varphi_{mq} = x_m \left(\frac{\varphi_{qs}}{x_{ls}} + \frac{\varphi'_{qr}}{x'_{lr}} \right) \quad (\text{B.15})$$

$$\varphi_{md} = x_m \left(\frac{\varphi_{ds}}{x_{ls}} + \frac{\varphi'_{dr}}{x'_{lr}} \right) \quad (\text{B.16})$$

where $x_m = 1/(1/x_m + 1/x_{ls} + 1/x_{lr})$.

Electromagnetic torque of the induction generator, expressed in terms of d-q axis flux linkages and currents, is given by

$$T_{em} = \left(\frac{3p}{4\omega_b} \right) (\varphi_{ds} i_{qs} - \varphi_{qs} i_{ds}) \text{ Nm} \quad (\text{B.17})$$

The equation that governs the motion of rotor is obtained by equating the inertia torque to the accelerating torque:

$$J \left(\frac{d\omega_{rm}}{dt} \right) = T_{em} + T_{mech} - T_{damp} \text{ Nm} \quad (\text{B.18})$$

Expressed in per unit values, (B.18) becomes

$$\frac{2Hd(\omega_r/\omega_b)}{dt} = T_{em} + T_{mech} - T_{damp} \text{ Nm} \quad (\text{B.19})$$

In (B.17) and (B.19), the flux linkages are two-phase d–q axes rotating reference frame. To obtain the three-phase output, the two-phase d–q axes quantities have to be transformed into three-phase stationary reference frame. This is achieved with the help of following steps.

(1) Zero-n conversion

In case of an isolated neutral system, the phase voltages are obtained using zero sequence voltage. The transformation is represented in the matrix form as

$$\begin{bmatrix} V_{an} \\ V_{bn} \\ V_{cn} \end{bmatrix} = \begin{bmatrix} 2/3 & -1/3 & -1/3 \\ -1/3 & 2/3 & -1/3 \\ -1/3 & -1/3 & 2/3 \end{bmatrix} \begin{bmatrix} V_{a0} \\ V_{b0} \\ V_{c0} \end{bmatrix} \quad (\text{B.20})$$

(2) Unit vector calculation

Unit vectors $\cos \theta_e$ and $\sin \theta_e$ are used in vector rotation, ‘abc-dq conversion’ and ‘dq-abc conversion’. The angle θ_e is calculated directly by integrating the frequency of the input three-phase voltages ω_e . The unit vectors are obtained simply by taking the sine and cosine of θ_e . This helps to observe the rotor position in d–q model.

(3) abc-dq and dq-abc Conversion

The two-phase voltages are obtained using abc-dq conversion and are given by

$$\begin{bmatrix} V_{qs}^s \\ V_{ds}^s \end{bmatrix} = \begin{bmatrix} 1 & 0 & 0 \\ 1 & -1/\sqrt{3} & 1/\sqrt{3} \end{bmatrix} \begin{bmatrix} V_{an} \\ V_{bn} \\ V_{cn} \end{bmatrix} \quad (\text{B.21})$$

The three-phase currents are obtained using dq-abc conversion using (B.21) and are given by

$$i_{qs}^s = V_{qs} \cos \theta_e + V_{ds} \sin \theta_e \quad (\text{B.22})$$

$$i_{ds}^s = -V_{qs} \sin \theta_e + V_{ds} \cos \theta_e \quad (\text{B.23})$$

$$\begin{bmatrix} i_a \\ i_b \\ i_c \end{bmatrix} = \begin{bmatrix} 1 & 0 \\ -1/2 & -\sqrt{3}/2 \\ -1/2 & -\sqrt{3}/2 \end{bmatrix} \begin{bmatrix} i_{qs}^s \\ i_{ds}^s \end{bmatrix} \quad (\text{B.24})$$

Equations (B.5)–(B.24) are represented in MATLAB with the help of M-file. The flux linkage state equations (B.7)–(B.10) are modelled first, as they are required to calculate all the other variables. To have access to intermediate control, discrete blocks are preferred. The transient response of variables T_{em} and ω_r to applied load torque is plotted in Figures B.7 and B.8, respectively. It is seen that the electromagnetic torque and speed reach their steady state in 0.25 seconds. After that these values change only when induction generator is made to adjust its speed to operate in peak power mode. The negative value of the torque indicates that the machine is working in generating mode.

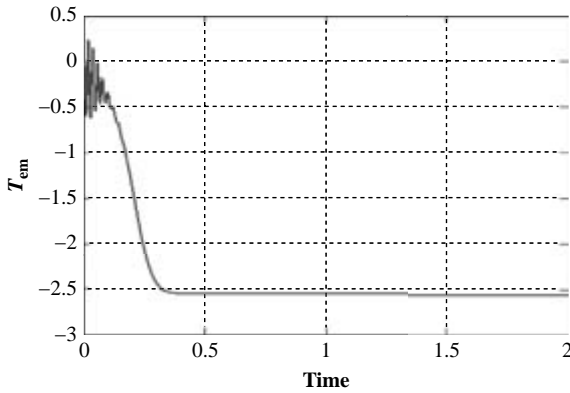


Figure B.7 Torque developed by Induction generator

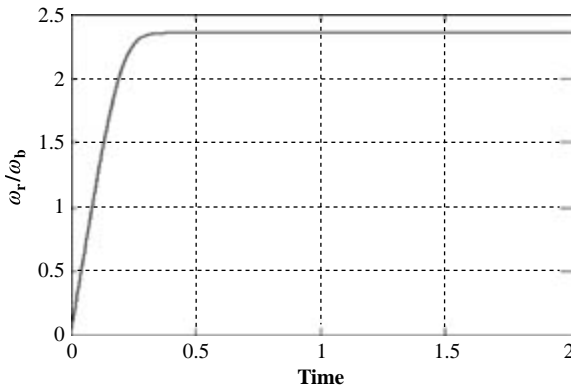


Figure B.8 Induction generator speed ω_r in p.u.

B.2 Case study

A case study is conducted using a typical WECS whose specifications are given in Table B.1. Output of WECS for sample wind input is shown in Figure B.9.

Table B.1 Specification of DFIG used for case study

Parameter	Value
Number of poles	4
Rated speed	1,800 rpm
Rated voltage	200 V
Rated output power	750 W
Stator winding resistance	3.35 Ω
Stator leakage reactance	2.616 Ω
Rotor resistance as referred to stator	1.99 Ω
Rotor leakage reactance	2.616 Ω
Rotor inertia	0.1 kg/m ²
Cut-in speed (V_C)	5.5 m/s
Rated speed (V_R)	11 m/s
Furling or cut-out speed (V_F)	20 m/s
Gear ratio (K)	0.001

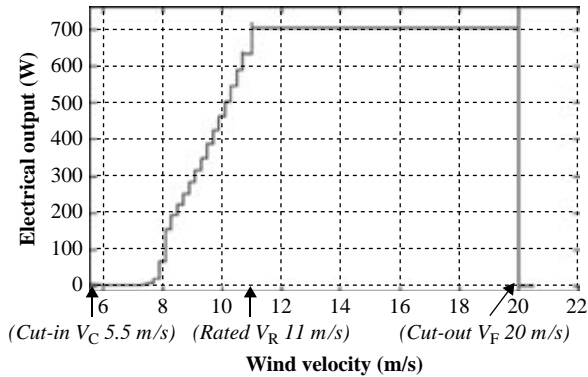


Figure B.9 Typical power curve of a wind turbine generator

The dynamic model of the WECS gives proper output for the given input wind speeds. The model is made user-friendly by providing intermediate controls to view the output of individual models. The provision is also made to alter the parameters of rotor, gear and induction generator. It is found that electrical power is produced within the speed characteristics of wind turbine.

Appendix C

Software simulation of PEM fuel cell system for dynamic performance analysis

C.1 PEMFC power generation system

This section describes two dynamic models of a proton exchange membrane fuel cell (PEMFC) for dynamic performance analysis. The first model uses a proportional-integral (PI) controller to control the fuel flow to the reformer of the fuel cell system and the second model uses a fuzzy logic controller (FLC). The dynamic behaviour of the fuel cell system with a step load change is studied and the outputs are compared for both models.

The PEMFC power generation system has three main parts

- (1) Fuel processor
- (2) Power section
- (3) Power-conditioning unit

The fuel processor converts the fuel into hydrogen and by-product gases. The power section generates electricity using a number of fuel cells. The power-conditioning unit (PCU) converts the generated DC power into output AC power with current, voltage and frequency control to meet the demand as per requirement.

C.2 Dynamic model of PEMFC

The dynamic model of PEMFC is shown in Figure C.1.

The following assumptions are made for the modelling:

- (1) The Nernst's equation is applicable.
- (2) The gases are ideal.
- (3) PEMFC is fed with hydrogen and oxygen.
- (4) PEMFC temperature is stable.
- (5) The electrode channels are small enough so that the pressure drop across them is negligible.
- (6) The ratio of pressure between the inside and outside of the electrode channels is large enough to assume choked flow.
- (7) Ohmic and activation losses are taken into consideration.

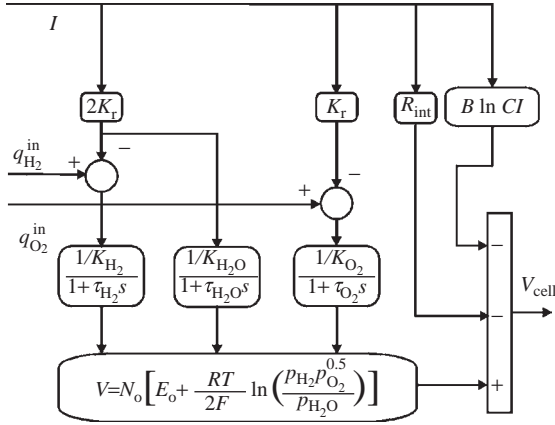


Figure C.1 PEMFC model

The reaction that occurs in a PEMFC is



The potential difference between the anode and the cathode is calculated using Nernst's equation and Ohm's law:

$$V = N_o \left[E_o + \frac{RT}{2F} \left(\ln \frac{p_{\text{H}_2} p_{\text{O}_2}^{0.5}}{p_{\text{H}_2\text{O}}} \right) \right] - rI - B \ln CI \quad (\text{C.2})$$

Ideal gas law is used to find out the partial pressures of the gases flowing through the electrodes. The same formula is applicable to all the gases. Hence, the expression for hydrogen is given as

$$p_{\text{H}_2} V_{\text{an}} = n_{\text{H}_2} RT \quad (\text{C.3})$$

where p_{H_2} is the partial pressure of hydrogen, T the temperature, V_{an} the volume of anode channel, n_{H_2} the moles of hydrogen in the channel and R the ideal gas constant.

The relationship of gas flow through the valve is proportional to its partial pressure and can be expressed as

$$\frac{q_{\text{H}_2}}{p_{\text{H}_2}} = \frac{k_{\text{an}}}{\sqrt{M_{\text{H}_2}}} = k_{\text{H}_2} \quad (\text{C.4})$$

and

$$\frac{q_{\text{H}_2\text{O}}}{p_{\text{H}_2\text{O}}} = \frac{k_{\text{an}}}{\sqrt{M_{\text{H}_2\text{O}}}} = k_{\text{H}_2\text{O}} \quad (\text{C.5})$$

where q_{H_2} is the molar flow of hydrogen (kmol/s), $q_{\text{H}_2\text{O}}$ the molar flow of water (kmol/s), p_{H_2} the partial pressure of hydrogen (atm), $p_{\text{H}_2\text{O}}$ the partial pressure of water (atm), k_{H_2} the hydrogen valve molar constant (kmol/atm/s), $k_{\text{H}_2\text{O}}$ the water valve molar constant (kmol/atm/s), k_{an} the anode valve molar constant (kmol·kg^{0.5}/atm/s), M_{H_2} the molar mass of hydrogen (kg/kmol) and $M_{\text{H}_2\text{O}}$ the molar mass of water (kg/kmol).

For hydrogen, the perfect gas equation is used to find the derivative of its partial pressure:

$$\frac{d}{dt}p_{\text{H}_2} = \frac{RT}{V_{\text{an}}}(q_{\text{H}_2}^{\text{in}} - q_{\text{H}_2}^{\text{out}} - q_{\text{H}_2}^{\text{r}}) \quad (\text{C.6})$$

where R is the real gas constant (1 atm/kmol/K), T the absolute temperature (K), $q_{\text{H}_2}^{\text{r}}$ the hydrogen flow that reacts (kmol/s), $q_{\text{H}_2}^{\text{in}}$ the hydrogen input flow (kmol/s) and $q_{\text{H}_2}^{\text{out}}$ the hydrogen output flow (kmol/s).

The relationship between the hydrogen flow and the stack current can be written as

$$q_{\text{H}_2}^{\text{r}} = \frac{N_{\text{o}}I}{2F} = 2K_{\text{r}}I \quad (\text{C.7})$$

where N_{o} is the number of fuel cells in series in the stack, I the stack current (A), F the Faraday's constant (C/kmol) and K_{r} the modelling constant (kmol/s/A).

Using the equation of hydrogen flow, the derivative of partial pressure can be written in s-domain as

$$p_{\text{H}_2} = \frac{1/K_{\text{H}_2}}{1 + \tau_{\text{H}_2}s}(q_{\text{H}_2}^{\text{in}} - 2K_{\text{r}}I) \quad (\text{C.8})$$

The partial pressures of water and oxygen can also be calculated using the same expression for partial pressure of hydrogen.

Polarisation curves can be expressed as

$$V_{\text{cell}} = V + \eta_{\text{act}} + \eta_{\text{ohmic}} \quad (\text{C.9})$$

where η_{act} is a function of the oxygen concentration, CO₂ and stack current I (A), and η_{ohmic} is a function of the stack current and the stack internal resistance R_{int} (Ω).

V_{cell} can be rewritten by assuming constant temperature and oxygen concentration:

$$V_{\text{Cell}} = V - B \ln(CI) - R_{\text{int}}I \quad (\text{C.10})$$

where B and C are constants.

The Nernst voltage can be expressed as

$$V = N_o \left[E_o + \frac{RT}{2F} \left(\ln \frac{p_{H_2} p_{O_2}^{0.5}}{p_{H_2O}} \right) \right] \tag{C.11}$$

C.3 Reformer model

The reformer model is developed as a second-order transfer function. The mathematical model shown in Figure C.2 is expressed as

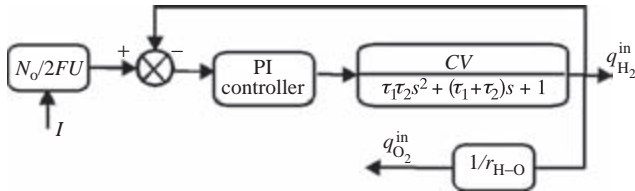


Figure C.2 *Reformer model*

$$q_{H_2} = q_{\text{methane}} \left[\frac{CV}{\tau_1 \tau_2 s^2 + (\tau_1 + \tau_2) s + 1} \right] \tag{C.12}$$

where q_{methane} is the methane flow rate (kmol/s), CV the conversion factor (kmol of hydrogen per kmol of methane), τ_1, τ_2 the reformer time constants (s) and q_{H_2} the hydrogen flow (kmol/s).

In the reformer model, a feedback from the stack current is considered to control the flow of hydrogen according to the output power from the fuel cell. A controller controls the flow rate of methane in the reformer. Oxygen flow is determined by the use of hydrogen–oxygen ratio (r_{H-O}).

C.4 Power-conditioning unit model

The PCU shown in Figure C.3 converts DC output voltage to AC. It includes a DC–DC converter to raise the DC output voltage to DC bus voltage and a DC–AC inverter to convert DC bus voltage to AC.

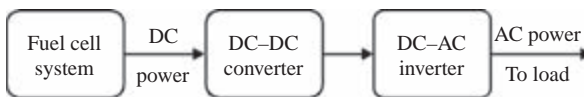


Figure C.3 *Power-conditioning unit*

A simple model of a DC–AC inverter is considered because the dynamic time constant of inverters is of the order of microseconds or at most milliseconds. The time constants for the reformer and stack are of the order of seconds. Hence, including the inverter time constant has negligible effect on the accuracy of dynamic response. Here AC output voltage of the inverter is assumed to be 230 V which is the same as that for residential use.

The output voltage and power can be expressed as a function of the modulation index and the phase angle can be written as

$$V_{ac} = mV_{cell}\delta \quad (C.13)$$

$$P_{ac} = mV_{cell}V_s \frac{\sin \delta}{X_s} \quad (C.14)$$

$$I_l = \frac{P_l}{V \cos(\theta)} \quad (C.15)$$

$$I = mI_l \cos(\theta + \delta) \quad (C.16)$$

where V_{ac} is the AC output voltage of the inverter (V), m the inverter modulation index, δ the phase angle of the AC voltage (rad), P_{ac} the AC output power from the inverter (W), V_s the load terminal voltage (V), X the reactance of the line (Ω), I_l the load current (A), θ the load phase angle (rad) and P_l the load power (W).

C.5 Model parameters

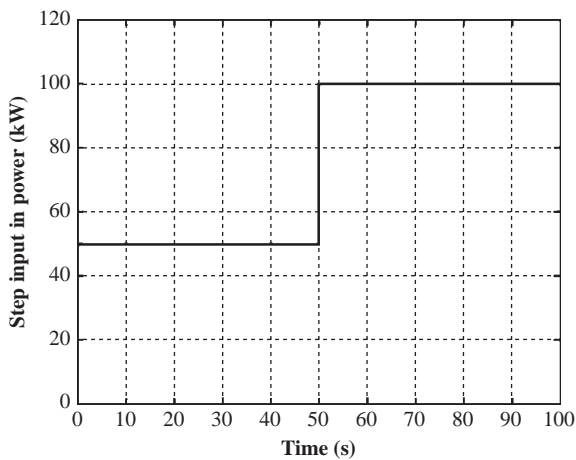
The model simulates a 100 kW PEMFC system as shown in Figure C.1. The model is used to study the relationship between the output voltage and partial pressures of hydrogen, oxygen and water. Total model is an integration of the PEMFC, reformer and power conditioning unit (PCU) models. The model parameters are based on 440 V DC bus voltage, stack current capacity of 72.46 A and cell voltage of 0.8 V. The PEMFC system consists of six parallel stacks with each stack having 550 cells in series (Table C.1).

C.6 Case study with PI controller

To test the performance of the fuel cell system with PI controller, a step load change of 50–100 kW is applied at time $t = 50$ seconds. The simulation time is 100 seconds. The plots in Figures C.4–C.11 show the effect of load change on stack voltage, stack current, inverter modulation index, inverter AC voltage and phase angle δ , AC power output of the inverter and hydrogen flow.

Table C.1 *Model Parameters*

Parameter	Value
Stack temperature (T)	343 K
Faraday's constant (F)	96,484,600 C/kmol
Universal gas constant (R)	8,314.47 J/kmol/K
No load voltage (E_0)	0.8 V
Number of cells per stack (N_o)	550
Number of stacks (N_{stack})	6
K_r constant = $N_o/(4F)$	1.4251×10^{-6} kmol/s
Utilisation factor (U)	0.8
Hydrogen valve constant (K_{H_2})	4.22×10^{-5} kmol/s/atm
Water valve constant (K_{H_2O})	7.716×10^{-6} kmol/s/atm
Oxygen valve constant (K_{O_2})	2.11×10^{-5} kmol/s/atm
Hydrogen time constant (τ_{H_2})	3.37 s
Water time constant (τ_{H_2O})	18.418 s
Oxygen time constant (τ_{O_2})	6.74 s
Reformer time constant (τ_1)	2 s
Reformer time constant (τ_2)	2 s
Reformer PI gain (C_1)	0.25
Conversion factor (CV)	2
Activation voltage constant (B)	0.04777 A^{-1}
Activation voltage constant (C)	0.0136 V
Internal resistance (R_{int})	0.2778Ω
External line reactance (X)	0.05Ω
PI gain constants (C_2)	0.1
PI gain constants (C_3)	10
Methane reference signal ($Q_{methref}$)	0.000015 kmol/s
Hydrogen–oxygen flow ratio (r_{H-O})	1.168
Current delay time constant (T_d)	3 s

Figure C.4 *Step load change*

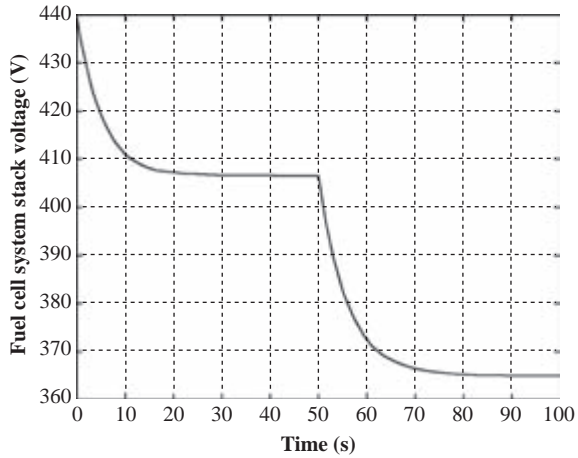


Figure C.5 Stack voltage (PI)

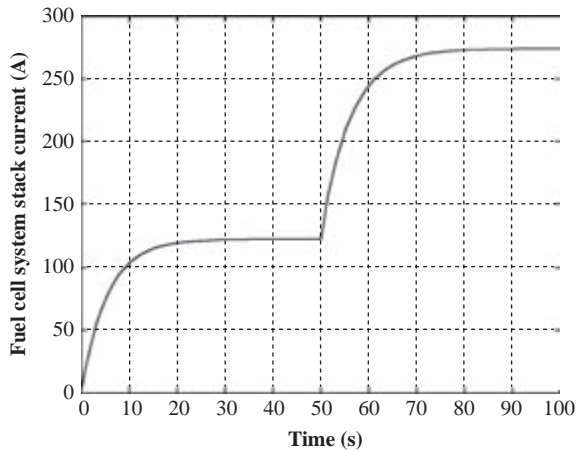


Figure C.6 Stack current (PI)

C.7 Design of fuzzy logic controller

The steps followed for the design of an FLC are as follows:

- (1) Fuzzification strategies and the interpretation operator (fuzzifier)
- (2) Data base
 - (i) Discretisation/normalisation of universe of discourse
 - (ii) Fuzzy partition of the input and output spaces

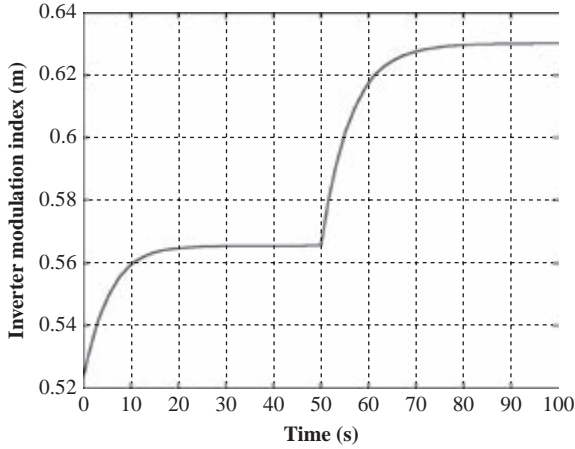


Figure C.7 Inverter modulation index (PI)

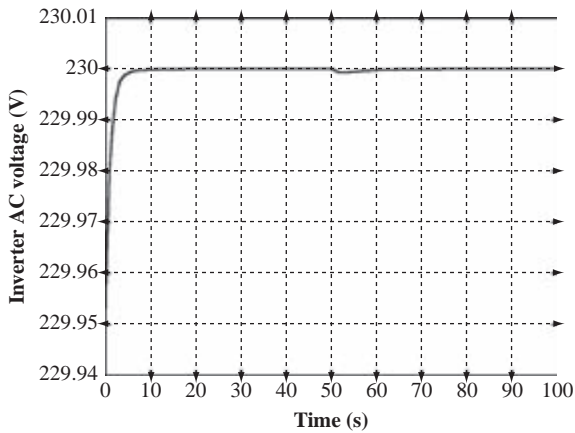


Figure C.8 Inverter AC voltage (PI)

- (iii) Completeness
- (iv) Choice of membership function of a primary fuzzy set
- (3) Rule base
 - (i) Choice of process state (input) variables and control (output) variables of fuzzy control rules
 - (ii) Source and derivation of fuzzy control rules
 - (iii) Types of fuzzy control rules
 - (iv) Consistency interactivity, completeness of fuzzy control rules
- (4) Fuzzy inference mechanism
- (5) Defuzzification strategies and the interpretation of defuzzification operators (defuzzifier).

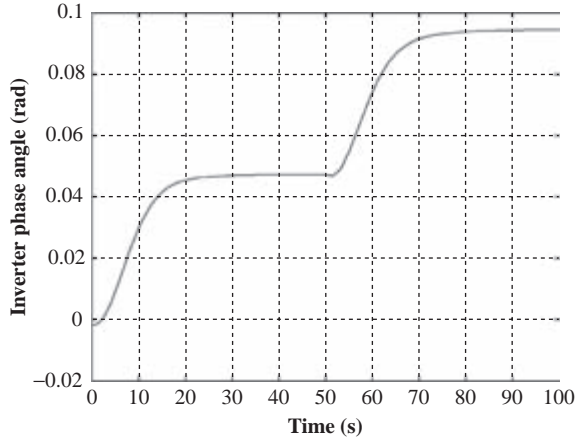


Figure C.9 Inverter phase angle (PI)

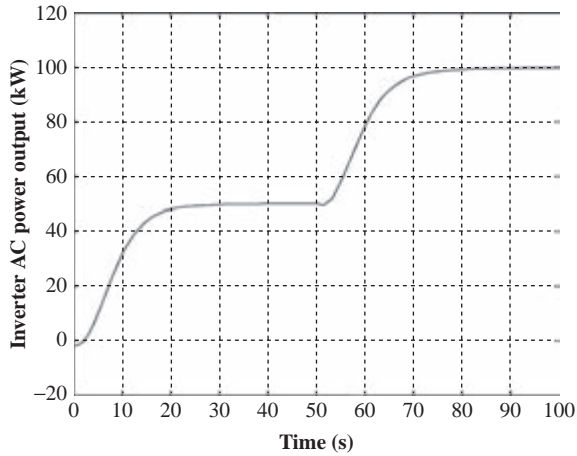


Figure C.10 Inverter AC power output (PI)

The FLC model has two inputs

- (1) Error
- (2) Rate of change of error

The output of the controller is fed into the input of the reformer. The reformer converts fuel into hydrogen as per the controller output. Each input and output of the FLC has seven membership functions. The fuzzy partitions

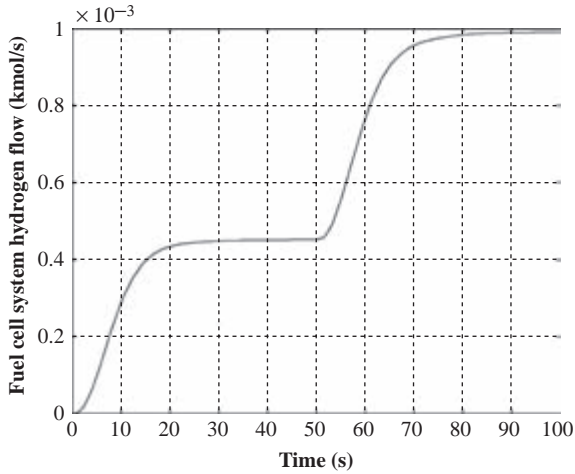


Figure C.11 *Hydrogen flow (PI)*

are represented in Figure C.12 for input and output variables. The fuzzy variables are expressed by linguistic variables such as ‘positive large’, ‘positive medium’, ‘positive small’, ‘zero’, ‘negative large’, ‘negative medium’ and ‘negative small’. Here, the linguistic denominations used for the membership functions are same for all the three variables.

C.7.1 Fuzzy rule base

The FLC uses a rule base to perform its control action. The rule base used is shown in Table C.2. A rule in the rule base can be expressed in the form: *if*

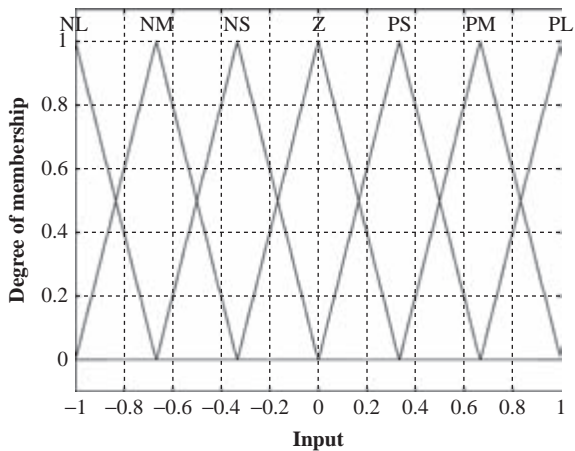


Figure C.12 *Fuzzy membership function*

Table C.2 Fuzzy rule base

		Rate of change of error						
		NL	NM	NS	Z	PS	PM	PL
Error	NL	NL	NL	NL	NL	NM	NS	Z
	NM	NL	NL	NL	NM	NS	Z	PS
	NS	NL	NM	NS	NS	Z	PS	PM
	Z	NL	NM	NS	Z	PS	PM	PL
	PS	NM	NS	Z	PS	PS	PM	PL
	PM	NS	Z	PS	PM	PM	PL	PL
	PL	Z	PS	PM	PL	PL	PL	PL

error is NL and rate of change of error is NL, then the output is NL. Forty-nine such rules are used by this FLC.

The inference method used is the simple MIN–Max method. The output membership function of each rule is given by the MIN operator, whereas the aggregate output is given by the MAX operator. The centroid defuzzification method determines the crisp output value from the centre of gravity of the output membership function.

C.8 Case study with fuzzy logic controller

To test the performance of the PEMFC system with FLC, the same step load change of 50–100 kW is applied to at time $t = 50$ seconds. The simulation time is 100 seconds as before. The effect of this step load change is compared for PI controller and FLC inverter AC power output, AC voltage, modulation index, phase angle and hydrogen flow. The plots are shown in Figures C.13–C.17.

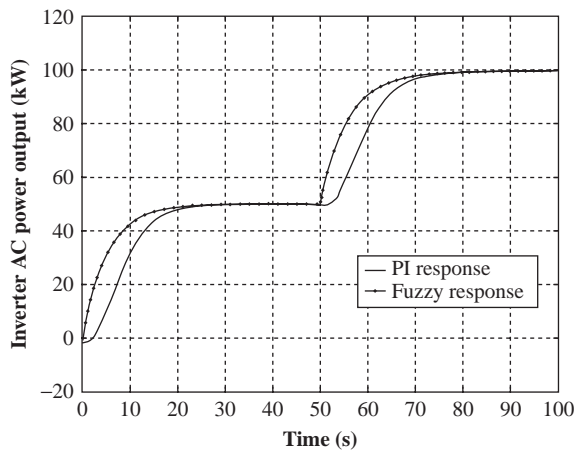


Figure C.13 Inverter AC power output (FLC)



Figure C.14 *Inverter AC voltage (FLC)*

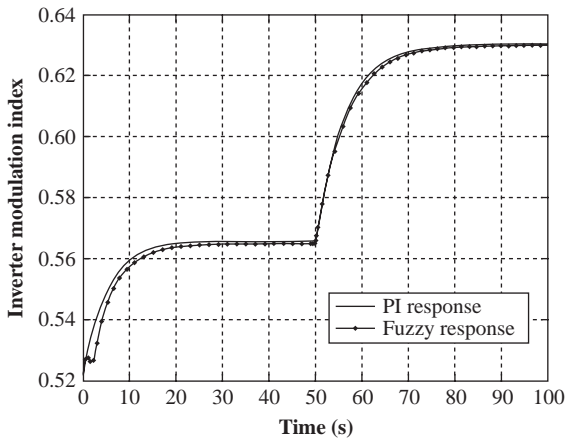


Figure C.15 *Inverter modulation index (FLC)*

Comparison shows that FLC works better than the conventional PI controller in terms of load-following function, and the performance of the PEMFC system is enhanced.

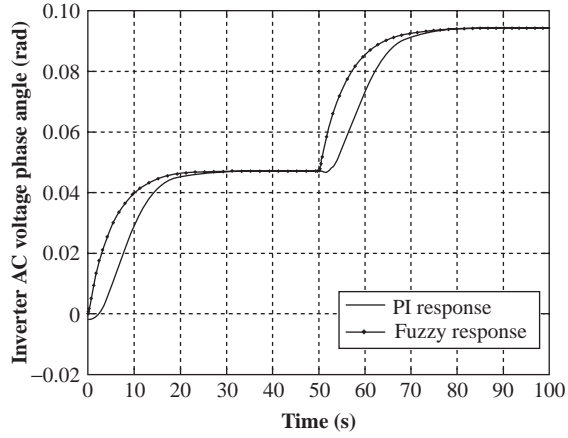


Figure C.16 Inverter phase angle (FLC)

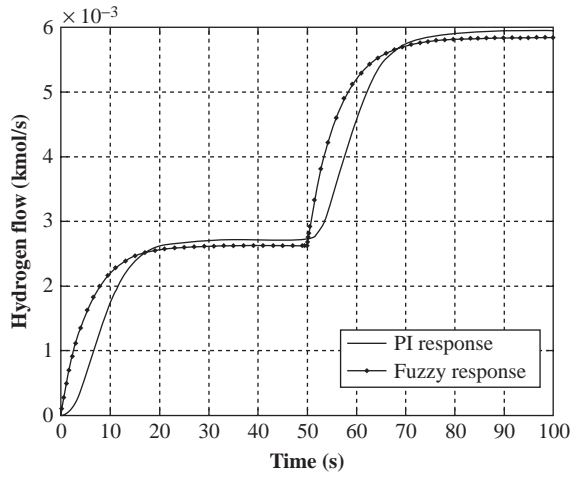


Figure C.17 Hydrogen flow (FLC)

Appendix D

Application of solid-oxide fuel cell in distributed power generation

D.1 SOFC power generation system

This section describes a dynamic model of a 100 kW solid-oxide fuel cell (SOFC) power generation system and its control. This is suitable for studying its performance in distributed generation (DG) systems. The SOFC system is chosen as a distributed energy resource (DER) because of its ability to tolerate relatively impure fuels. It can also be operated at a higher operating temperature. This dynamic model can be used to simulate and analyse the performance of such a system in both stand-alone and integrated modes with other DERs to predict its dynamic behaviour and load-following characteristics. With a strategy developed to control the active power and inverter output AC voltage, it is highly efficient and capable of providing good dynamic behaviour and load-following characteristics while maintaining the load parameters. The proposed model is used to simulate a step change in power demand from the inverter side controller to the SOFC-Inverter system. It uses two proportional-integral (PI) controllers separately with the SOFC system to control the fuel flow in accordance with the power demand and to maintain the bus voltage constant at the set point value.

A power generation fuel cell system has the following three main parts:

- (1) Fuel processor
- (2) Power section
- (3) Power-conditioning unit

The fuel processor converts the fuel into hydrogen and by-product gases. The power section generates electricity using a number of fuel cells. The power-conditioning unit consists of a DC–DC converter that converts the generated DC power into regulated DC output and this regulated DC is converted into AC power by the DC–AC inverter with current, voltage and frequency control to meet the demand as per requirement, as illustrated in Figure D.1.

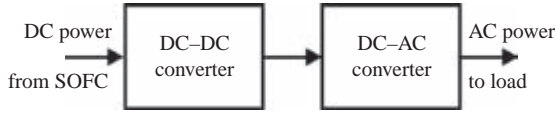


Figure D.1 Power-conditioning unit

D.2 Dynamic model of SOFC

The following are the assumptions made while developing the model:

- (1) The Nernst equation is applicable.
- (2) The gases are ideal.
- (3) The fuel cell is fed with hydrogen and oxygen.
- (4) The fuel cell temperature is stable.
- (5) The electrode channels are small enough so that the pressure drop across them is negligible.
- (6) The ratio of pressure between the inside and outside of the electrode channels is large enough to assume choked flow.
- (7) Ohmic loss is considered and activation losses are ignored.

The model of SOFC is based on some control strategies added to get a modified one for dynamic performance analysis. A PI controller is used to control the flow of hydrogen to respond with the change in power demand. This control strategy uses a voltage feedback from the fuel cell stack.

At the beginning, the choked flow equation (D.1) is considered

$$\frac{m_f}{p_{us}} = k\sqrt{M} \quad (D.1)$$

where m_f is the mass flow rate, p_{us} the upstream pressure, k the valve constant and M the molar mass of fluid.

The utilisation factor (U_f) is defined as the ratio of the amount of hydrogen that reacts with the oxygen to the amount of hydrogen that enters the anode. It is determined from the following equation:

$$U_f = \frac{m_{f,H_2,r}}{m_{f,H_2,in}} \quad (D.2)$$

where U_f is the utilisation factor, $m_{f,H_2,r}$ the amount of hydrogen that reacts with the oxygen ions and $m_{f,H_2,in}$ the amount of hydrogen that enters the anode.

Equations (D.3) and (D.4) can be derived by considering that the molar flow of any gas through the valve is proportional to its partial pressure

$$\frac{q_{H_2}}{p_{H_2}} = \frac{k_{an}}{\sqrt{M_{H_2}}} = K_{H_2} \quad (D.3)$$

$$\frac{q_{\text{H}_2\text{O}}}{p_{\text{H}_2\text{O}}} = \frac{k_{\text{an}}}{\sqrt{M_{\text{H}_2\text{O}}}} = K_{\text{H}_2\text{O}} \quad (\text{D.4})$$

where q_{H_2} is the molar flow rate of hydrogen, $q_{\text{H}_2\text{O}}$ the molar flow rate of water, p_{H_2} the partial pressure of hydrogen, $p_{\text{H}_2\text{O}}$ the partial pressure of water, k_{an} the anode valve constant, M_{H_2} the molar mass of hydrogen, $M_{\text{H}_2\text{O}}$ the molar mass of water, K_{H_2} the valve molar constant for hydrogen and $K_{\text{H}_2\text{O}}$ the valve molar constant for water.

Now, from (D.2), (D.3) and (D.4), the following equation can be obtained:

$$\frac{m_{\text{f}}}{p_{\text{an}}} = k_{\text{an}} \left[(1 - U_{\text{f}}) \sqrt{M_{\text{H}_2}} + U_{\text{f}} \sqrt{M_{\text{H}_2}} \right] \quad (\text{D.5})$$

The partial pressures of the gases are calculated using the ideal gas law that applies to all the gases. For hydrogen

$$p_{\text{H}_2} V_{\text{an}} = n_{\text{H}_2} RT \quad (\text{D.6})$$

where V_{an} is the volume of anode channel, n_{H_2} the hydrogen moles in the channel, R the ideal gas constant and T the temperature of fuel cell stack.

The following equation is obtained by taking the first time derivative after isolating the partial pressure:

$$\frac{d}{dt}(p_{\text{H}_2}) = \frac{q_{\text{H}_2} RT}{V_{\text{an}}} \quad (\text{D.7})$$

The hydrogen flow can be divided into three parts whose relationship can be expressed as follows:

$$\frac{d}{dt}(p_{\text{H}_2}) = \frac{RT(q_{\text{H}_2}^{\text{in}} - q_{\text{H}_2}^{\text{out}} - q_{\text{H}_2}^{\text{r}})}{V_{\text{an}}} \quad (\text{D.8})$$

where $q_{\text{H}_2}^{\text{in}}$ is the molar flow rate of hydrogen into the channel, $q_{\text{H}_2}^{\text{out}}$ is the molar flow rate of hydrogen out of the channel and $q_{\text{H}_2}^{\text{r}}$ is the molar flow rate of hydrogen reacting in the channel.

The amount of hydrogen that reacts is estimated by

$$q_{\text{H}_2}^{\text{r}} = \frac{N_{\text{o}} I}{2F} = 2K_{\text{r}} I \quad (\text{D.9})$$

where N_{o} is the number of cells in series in the stack, I the stack current, F the Faraday's constant and K_{r} the modelling constant.

From (D.9), (D.3), (D.4) and (D.7), the equation of partial pressure can be written, after taking the Laplace transform, as follows:

$$p_{\text{H}_2} = \frac{1/K_{\text{H}_2}}{1 + \tau_{\text{H}_2} s} (q_{\text{H}_2}^{\text{in}} - 2K_{\text{r}} I) \quad (\text{D.10})$$

where τ_{H_2} is the system pole associated with hydrogen flow.

Considering ohmic losses of the stack and ignoring activation voltage loss, the expression of total stack voltage can be written as

$$V = N_o \left[E_o + \frac{RT}{2F} \left(\ln \frac{P_{H_2} P_{O_2}^{0.5}}{P_{H_2O}} \right) \right] - rI \tag{D.11}$$

where V is the total stack voltage, and rI the ohmic loss of the stack.

The output voltage of the stack is given by the Nernst equation. The ohmic loss of the stack is due to the resistance of the electrodes and the resistance of the flow of oxygen ions through the electrolyte. The activation voltage loss is due to the sluggishness of the reactions at the electrode surfaces. To move the electrons to the electrodes a portion of the voltage is lost in driving the chemical reaction in the fuel cell stack. The total power generated by the fuel cell is

$$P_{FC} = N_o VI \tag{D.12}$$

D.3 Model of the SOFC power generation system

Figure D.2 shows the SOFC system model used in simulation. The overall reaction of the fuel cell is given by

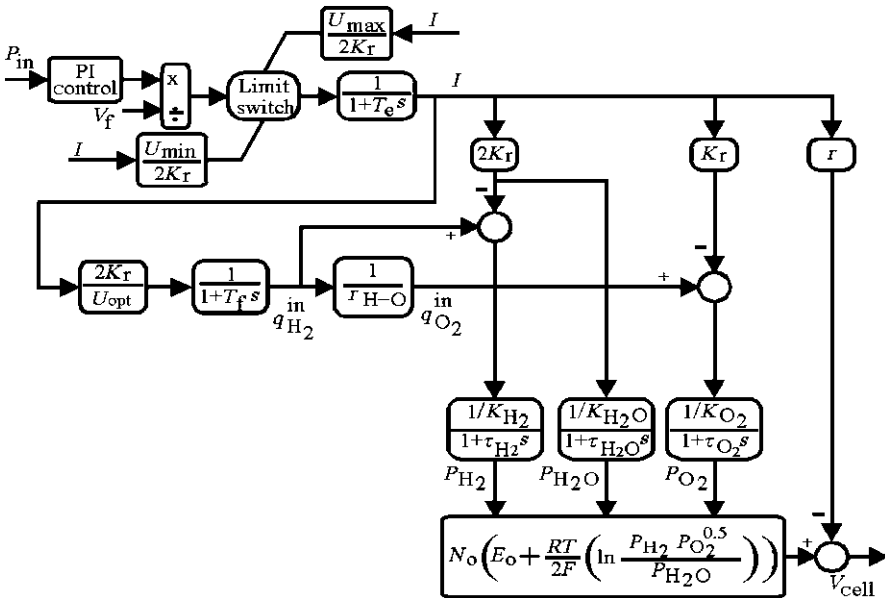


Figure D.2 SOFC system model

Therefore, the stoichiometric ratio of hydrogen and oxygen is 2:1. Excess oxygen is taken in so that hydrogen can react with oxygen fully. The oxygen input flow is controlled by the hydrogen–oxygen ratio $r_{\text{H-O}}$. With the change in the flow of reactants, it takes time to change the parameters of the chemical reaction. Therefore, the chemical response in the fuel processor is slow. This response is represented using a first-order transfer function with a time constant of T_f . The dynamic electrical response is modelled using a first-order transfer function with a time constant of T_e . Electrical response is associated with the speed of the chemical reaction at which charge is restored after it is drained away by load. Power output of the SOFC system is the product of stack current and voltage. The pressure difference between the anode and channels is to be maintained below 4 kPa under normal operating conditions and up to 8 kPa during transient conditions.

D.3.1 Model parameters

The parameters of the system model are given in Table D.1.

Table D.1 Model parameters

Parameters	Values
Absolute temperature (T)	1,273 K
Faraday's constant (F)	96,487,000 C/kmol
Universal gas constant (R)	8341 J/kmol/K
No load voltage (E_o)	1.18 V
Number of cells in series in the fuel cell stack (N_o)	384
Constant $K_r = N_o/4F$	0.99×10^{-6} kmol/s/A
Maximum fuel utilisation (U_{\max})	0.9
Minimum fuel utilisation (U_{\min})	0.8
Optimal fuel utilisation (U_{opt})	0.85
Valve molar constant for hydrogen (K_{H_2})	8.43×10^{-4} kmol/s/atm
Valve molar constant for water ($K_{\text{H}_2\text{O}}$)	2.81×10^{-4} kmol/s/atm
Valve molar constant for oxygen (K_{O_2})	2.52×10^{-3} kmol/s/atm
Response time for hydrogen (τ_{H_2})	26.1 s
Response time for water ($\tau_{\text{H}_2\text{O}}$)	78.3 s
Response time for oxygen (τ_{O_2})	2.91 s
Ohmic loss (rI)	0.126 Ω
Fuel system response time (T_f)	5 s
Electrical response time (T_e)	0.8 s
Hydrogen–oxygen ratio ($r_{\text{H-O}}$)	1.145
Rated power (P_{rated})	100 kW
Reference power (P_{ref})	100 kW

D.3.2 Power and voltage control strategy

Two separate PI controllers are used to control the fuel flow to the system to meet the power demand at the specified inverter output AC voltage. From the SOFC system the voltage is taken as input to the control functions. The controller generates inverter phase angle of the AC voltage and the modulation index.

The AC voltage and active and reactive power outputs of the inverter can be expressed as follows:

$$V_{ac} = mV_{cell} \angle \delta \quad (D.14)$$

$$P_{ac} = \frac{mV_{cell}V_s}{X} \sin \delta \quad (D.15)$$

$$Q_{ac} = \frac{mV_{cell}^2 - mV_{cell}V_s}{X} \sin \delta \quad (D.16)$$

where m is the modulation index, V_{cell} the SOFC DC voltage, V_s the load voltage, δ the phase angle of the AC voltage and X the external line reactance.

Assuming a lossless inverter,

$$P_{ac} = P_{dc} = V_{cell}I \quad (D.17)$$

Now, hydrogen flow can be expressed as

$$q_{H_2} = \frac{2K_r I}{U_{opt}} \quad (D.18)$$

where I is the FC rated current, K_r the constant and U_{opt} the optimum fuel utilisation.

Using (D.18) and assuming δ to be very small, δ can be expressed as

$$\delta = \frac{U_{opt}X}{2K_r m V_s} q_{H_2} \quad (D.19)$$

Equation (D.19) indicates how AC voltage phase angle can be controlled by controlling the hydrogen flow.

With the expressions of AC power and phase angle, it is now possible to control the active power output by the use of hydrogen flow. The power and voltage control strategy is shown in Figure D.3.

Actual inverter AC power and voltage are fed back into the controllers to generate modulation index and phase angle for the AC voltage.

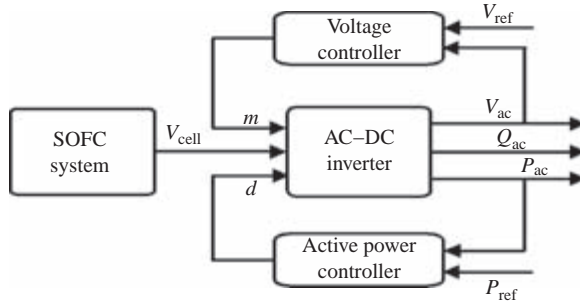


Figure D.3 Power and voltage control strategy

D.4 Case study

To analyse the dynamic behaviour of the SOFC system, a step load from 50 to 100 kW is applied $t = 50$ seconds. The voltage controller is simultaneously set to maintain the inverter output AC voltage at the specified value. The simulation results obtained are shown in Figures D.4–D.14 that illustrate the dynamic behaviour of the system under step load change condition keeping the inverter AC voltage at constant level. The change in stack voltage, change in stack current, change in output power, inverter AC voltage, change in hydrogen flow, change in oxygen flow and the pressure difference between anode and cathode were observed and are represented as obtained from the simulation.

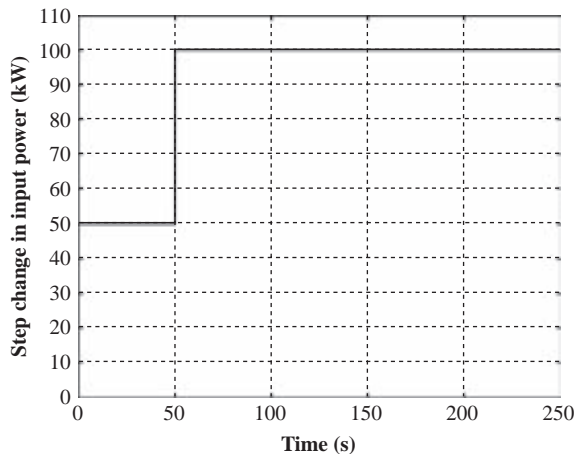


Figure D.4 Step change in power demand

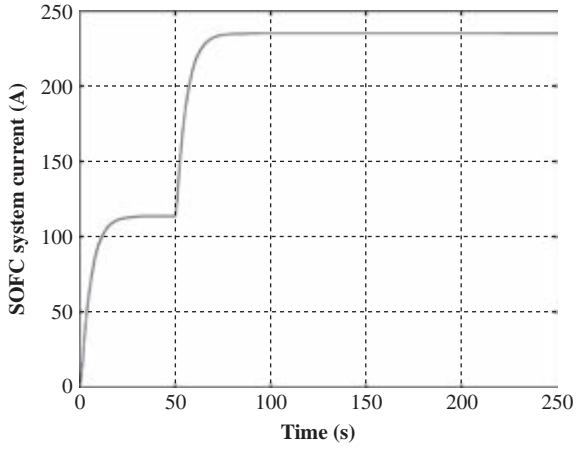


Figure D.5 Stack current

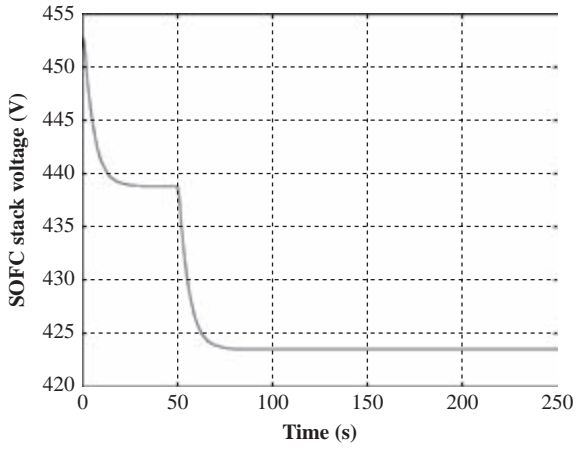


Figure D.6 Stack voltage

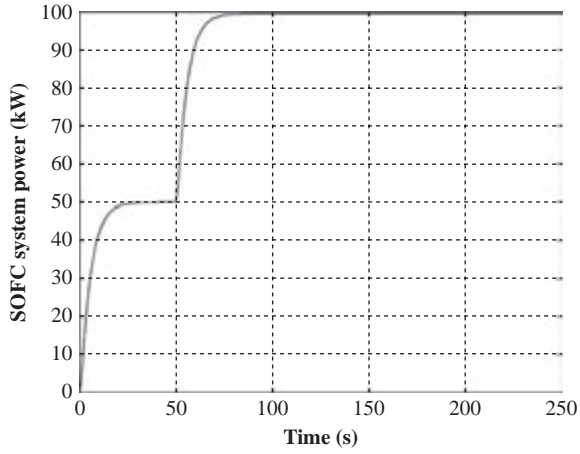


Figure D.7 SOFC system power output

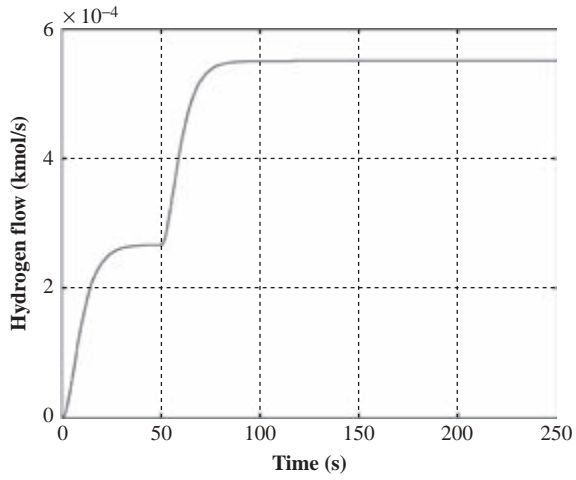


Figure D.8 Hydrogen flow

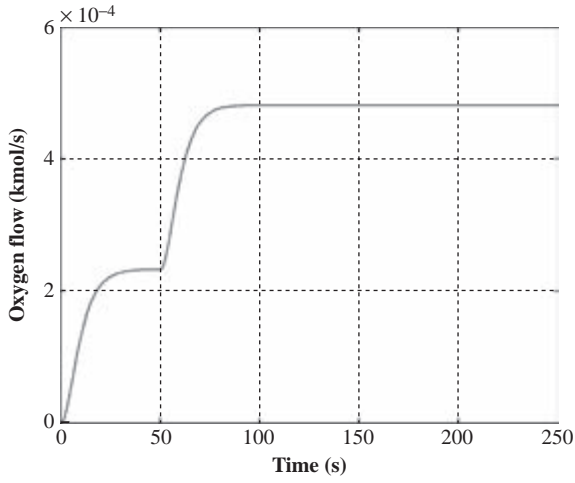


Figure D.9 *Oxygen flow*

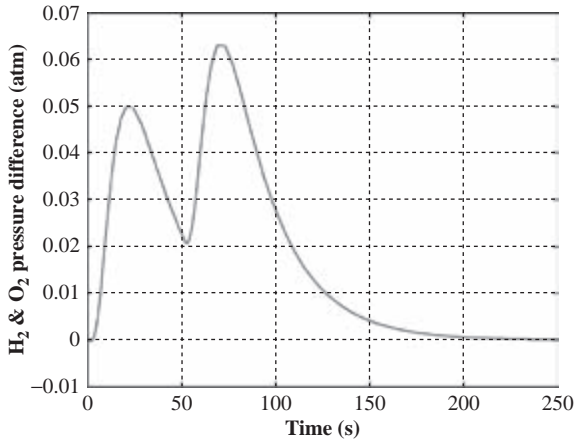


Figure D.10 *H_2 - O_2 pressure difference*

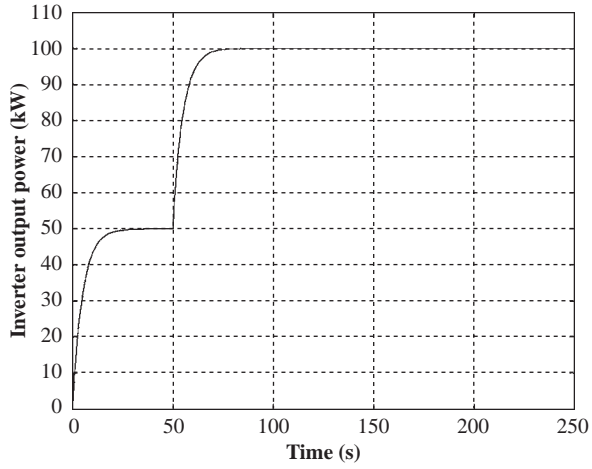


Figure D.11 Inverter AC power output

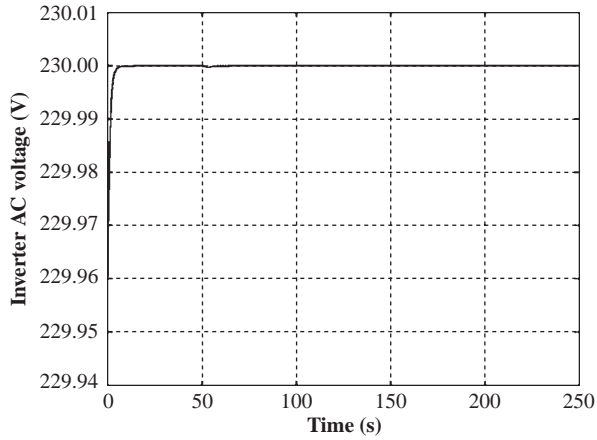


Figure D.12 Inverter AC voltage

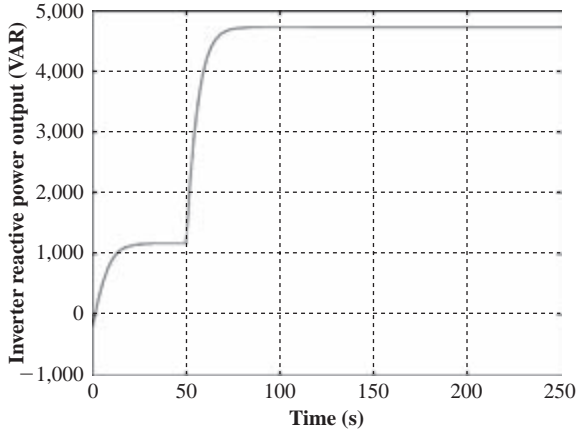


Figure D.13 Inverter reactive power

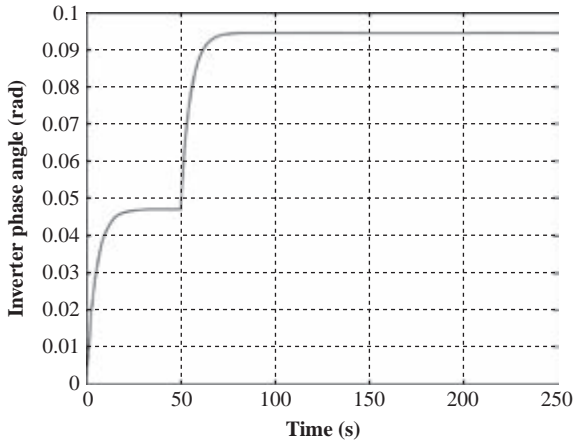


Figure D.14 Inverter AC voltage phase angle

Appendix E

Modelling and performance evaluation of a stand-alone photovoltaic (PV) plant with maximum power point tracking

List of symbols

I_{ph}	photocurrent of the double diode model
I_{s1}, I_{s2}	saturation currents of the diode terms in the double diode model
R_s	series resistance in the double diode model
R_p	parallel resistance in the double diode model
A	diode parameter
V	cell terminal voltage in V
I	cell terminal current in A
E	solar irradiance in W/m^2
T	ambient temperature in K
k	Boltzmann's constant
e	electronic charge
V_{oc}	open-circuit voltage of each cell
P_m	maximum power of each cell
V_{pm}	maximum power voltage of each cell
I_{pm}	maximum power current of each cell
N_s	number of cells in series
N_p	number of cells in parallel
V_{ocar}	open-circuit voltage of the array
P_{mar}	maximum power of the array
V_{pmar}	maximum power voltage of the array
I_{pmar}	maximum power current of the array
R_{in}	internal resistance of each cell
R_{inar}	internal resistance of the array

E.1 Photovoltaic modelling

Photovoltaic (PV) plants consist of inverter-interfaced PV arrays. The inverter keeps the AC output voltage at the specified level irrespective of solar irradiance E (W/m^2) and ambient temperature T (K). The inverters are provided with maximum power point tracking (MPPT) feature that sets the operating

point voltage of the array such that maximum power can be extracted from the array. This section discusses the development of a robust and very simple mathematical model of a polycrystalline PV array in MATLAB Simulink that (i) imposes low computational burden on the system, (ii) has low data storage requirement and (iii) can be represented by standard block set of MATLAB Simulink. At the same time, the model can take into account the variation of the PV array output with solar irradiance and ambient temperature by incorporating the MPPT feature. This feature shifts the operating voltage set point of the model to its maximum power voltage so that maximum power can be extracted from it. The model is used to (i) study in detail the performance of the PV array with varying weather and loading conditions, (ii) simulate a stand-alone PV plant for studying the effect on load variation on the AC side bus and (iii) develop a simple load-shedding scheme for the PV plant.

E.2 Double diode model of the polycrystalline cell

The standard double diode model of a typical polycrystalline PV cell as depicted in Figure E.1 expresses the V - I characteristics of a cell by the following equation:

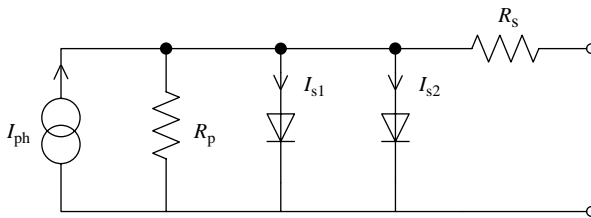


Figure E.1 Double diode model of polycrystalline PV cell

$$I = I_{ph} - I_{s1} [e^{((V+IR_s)/v_t)} - 1] - I_{s2} [e^{((V+IR_s)/Av_t)}] - \frac{V + IR_s}{R_p} \quad (\text{E.1})$$

where

$$v_t = \frac{kT}{e} \quad (\text{E.2})$$

In (E.1) and (E.2), V and I are the terminal voltage and current of a cell respectively, k Boltzmann's constant, T the absolute ambient temperature (K) and e the electronic charge. The diode parameter A is usually set to 2 for approximating the Shockley-Read-Hall recombination in the space-charge

layer in the photodiode. The model parameters I_{ph} , I_{s1} , I_{s2} , A , R_s and R_p are calculated from the values of irradiance E (W/m^2) and ambient temperature T (K) using the following empirical relationships (E.3)–(E.8) obtained from experimental polycrystalline cell characterisation as reported in earlier works:

$$I_{ph} = K_0 E (1 + K_1 T) \quad (\text{E.3})$$

$$I_{s1} = K_2 T^3 e^{(K_3/T)} \quad (\text{E.4})$$

$$I_{s2} = K_4 T^{1.5} e^{(K_5/T)} \quad (\text{E.5})$$

$$A = K_6 + K_7 T \quad (\text{E.6})$$

$$R_s = K_8 + \frac{K_9}{E} + K_{10} T \quad (\text{E.7})$$

$$R_p = K_{11} e^{K_{12} T} \quad (\text{E.8})$$

E.3 Modelling of PV array

The PV array is modelled as a simple ideal DC voltage source with an internal resistance in series as shown in Figure E.2 such that the values of the ideal DC voltage source and the internal resistance are dependent on the values of E and T . The DC source is connected to an inverter that converts the DC output of the PV to three-phase, 415 V, 50 Hz AC supply suitable for supplying the loads. The entire modelling and subsequent studies have been done in MATLAB Simulink. The standard inverter block available in MATLAB has been used for modelling the inverter interface and no separate mathematical model has been developed for the same.

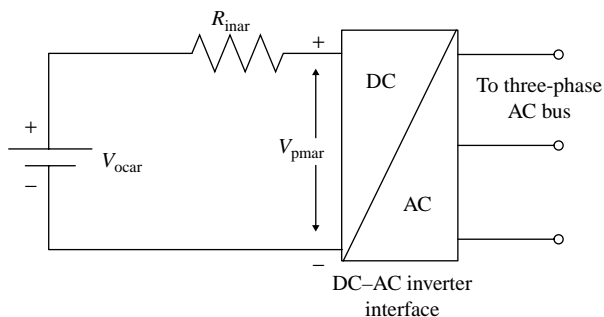


Figure E.2 Equivalent circuit of PV array connected to DC–AC inverter

In the model, the PV array has been assumed to be comprising a combination of N_s cells in series and N_p cells in parallel in order to achieve the required voltage, current and power capacity. The terminal DC voltage of the array is maintained at its maximum power voltage V_{pmar} corresponding to the solar irradiance and ambient temperature condition while the value of the ideal DC voltage source is set at the open-circuit voltage V_{ocar} for the array. V_{pmar} , V_{ocar} and the internal resistance R_{inar} for the array have been calculated from the values of the open-circuit voltage (V_{oc}), maximum power voltage (V_{pm}) and maximum power current (I_{pm}) of each cell. V_{oc} , V_{pm} and I_{pm} have been determined by generating the $V-I$ characteristics and the power curve of each cell through the modelling programme according to the double diode model described in (E.1). The flow chart for the modelling programme is shown in Figure E.3.

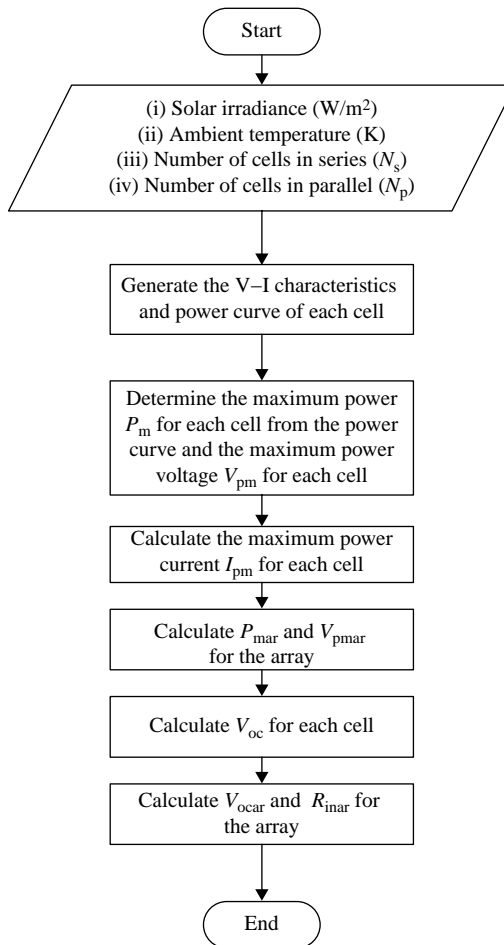


Figure E.3 Flow chart for calculation of PV array equivalent circuit

The detailed mathematical calculations for various parameters are listed in Sections E.3.1–E.3.4.

E.3.1 Calculation of V_{oc}

The open-circuit voltage V_{oc} for a single cell is determined by setting $I = 0$ and $V = V_{oc}$ in the double diode model as shown in (E.9). V_{oc} is the maximum value that terminal voltage V can achieve with full open circuit:

$$V_{oc} = R_p [I_{ph} - I_{s1}(e^{(V_{oc}/v_t)} - 1) - I_{s2}(e^{(V_{oc}/Av_t)})] \quad (\text{E.9})$$

E.3.2 Calculation of P_m , V_{pm} and I_{pm}

The V – I characteristics and power curve of a cell are generated by varying V from 0 to V_{oc} and by storing the values of V , I and $P = VI$ as separate arrays. The power array is then searched for its maximum value $P_m = P[i]$ and the value of maximum power voltage V_{pm} is obtained by setting $V_{pm} = V[i]$ where i is the co-ordinate corresponding to maximum power P_m . Similarly, maximum power current I_{pm} is set as $I_{pm} = I[i]$.

E.3.3 Calculation of V_{ocar} , P_{mar} and V_{pmar}

For the array the open-circuit voltage, maximum power and maximum power voltage are calculated as

$$V_{ocar} = V_{oc}N_s \quad (\text{E.10})$$

$$P_{mar} = P_mN_sN_p \quad (\text{E.11})$$

and

$$V_{pmar} = V_{pm}N_s \quad (\text{E.12})$$

respectively. Though R_{inar} can be calculated from V_{oc} , V_{pm} and I_{pm} only, V_{pmar} and P_{mar} have been computed for the purpose of performance evaluation of the array.

E.3.4 Calculation of internal resistance R_{inar}

During calculation of the internal voltage of the array, it has been assumed that the change from V_{oc} to V_{pm} for each cell is linear, i.e. a change from current $I = 0$ to $I = I_{pm}$ has caused the terminal voltage to drop from V_{oc} to V_{pm} . It is also assumed that the DC voltage at the converter terminal must be equal to V_{pm} . Thus, for each cell, the value of the internal resistance can be calculated as $R_{in} = (V_{oc} - V_{pm})/I_{pm}$. For the array, N_s series and N_p parallel combination of R_{in} gives the value of R_{inar} as follows:

$$R_{inar} = \frac{V_{oc} - V_{pm}}{I_{pm}} \frac{N_s}{N_p} \quad (\text{E.13})$$

In the calculation, the values of the K coefficients used are as reported in earlier works. The values of K coefficients and those of E , T , N_s and N_p are listed in Table E.1.

Table E.1 Values of input coefficients and parameters

Input coefficients/parameters	Value
K_0	$-5.729e^{-7}$
K_1	-0.1098
K_2	44.5355
K_3	$-1.2640e^4$
K_4	11.8003
K_5	$-7.3174e^3$
K_6	2
K_7	0
K_8	1.47
K_9	$1.6126e^{-3}$
K_{10}	$-4.47e^{-3}$
K_{11}	$2.3034e^6$
K_{12}	$-2.8122e^{-2}$
N_s	$2,000$
N_p	400

E.4 Case studies and results

E.4.1 Case 1

(I) Generation of $V-I$ characteristics and power curves for varying solar irradiances and constant ambient temperature.

Figure E.4(a) and E.4(b) shows the $V-I$ and power characteristics generated by the programme for a fixed ambient temperature of 25°C ($T = 298\text{ K}$) and irradiance values of $E = 500, 600, 700, 800, 900$ and $1,000\text{ W/m}^2$. Table E.2 gives the values of V_{ocar} , V_{pmar} , P_{mar} and R_{inar} for the same condition.

(II) Generation of $V-I$ characteristics and power curves for varying ambient temperature and constant solar irradiance.

Figure E.5(a) and E.5(b) shows the $V-I$ and power characteristics generated by the programme for a fixed solar irradiance of $E = 1,000\text{ W/m}^2$ and ambient temperature values of $5, 15, 25, 35$ and 45°C (i.e., $T = 278, 288, 298, 308$ and 318 K respectively). Table E.3 gives the values of V_{ocar} , V_{pmar} , P_{mar} and R_{inar} for these conditions.

E.4.2 Case 2

The model has been used to develop a stand-alone PV system that delivers AC load through DC-AC inverter interface as shown in Figure E.6. This has been

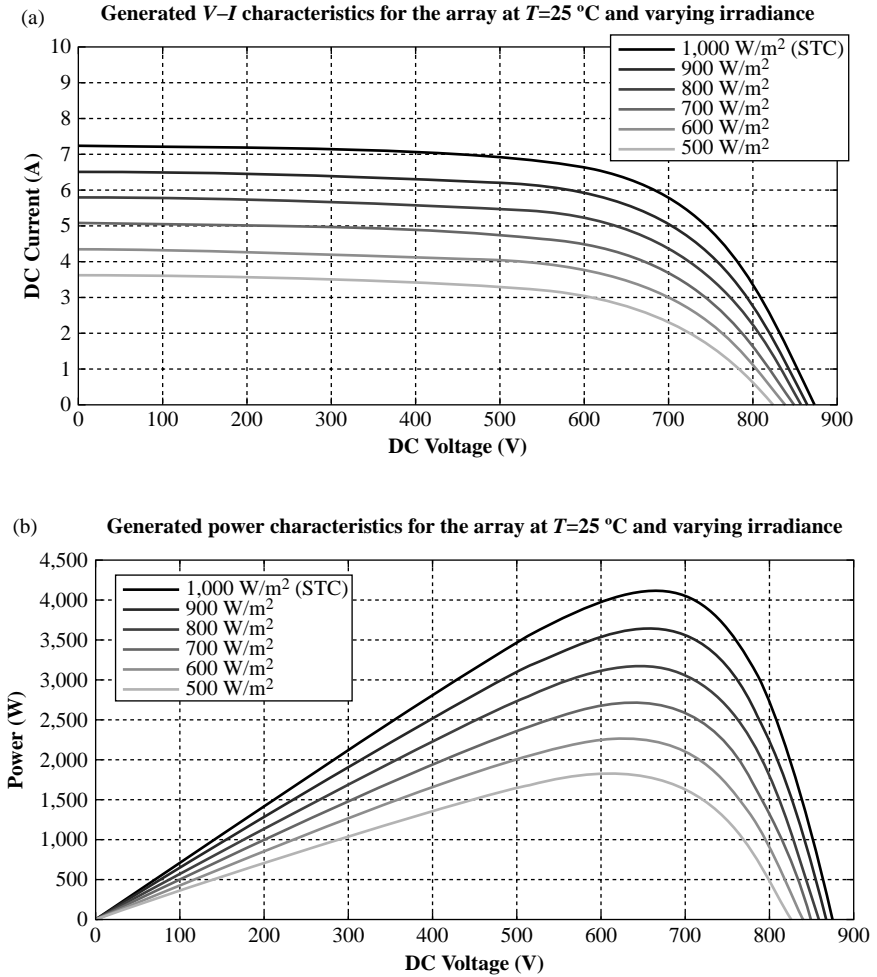
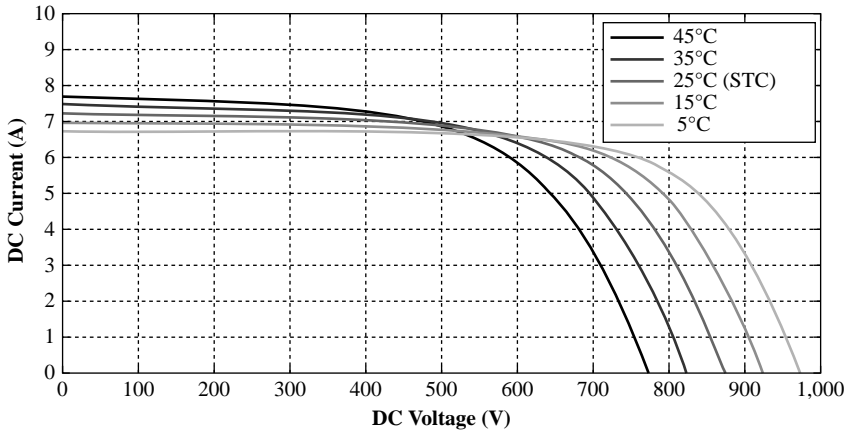


Figure E.4 (a) Generated V-I characteristics for varying E ; (b) Generated power characteristics for varying E

Table E.2 Values calculated at ambient temperature of $25\text{ }^{\circ}\text{C}$ for different values of solar irradiance

E (W/m^2)	V_{ocar} (V)	V_{pmar} (V)	P_{mar} (W)	R_{inar} (Ω)
1,000	873.42	660	4,124	34.16
900	866.42	660	3,652	37.31
800	858.47	660	3,181	41.18
700	849.29	630	2,721	50.78
600	838.44	630	2,270	57.85
500	825.22	630	1,821	67.54

(a) **Generated $V-I$ characteristics for the array at $E=1,000 \text{ W/m}^2$ and varying temperature**



(b) **Generated power characteristics for the array at $E=1,000 \text{ W/m}^2$ and varying temperature**

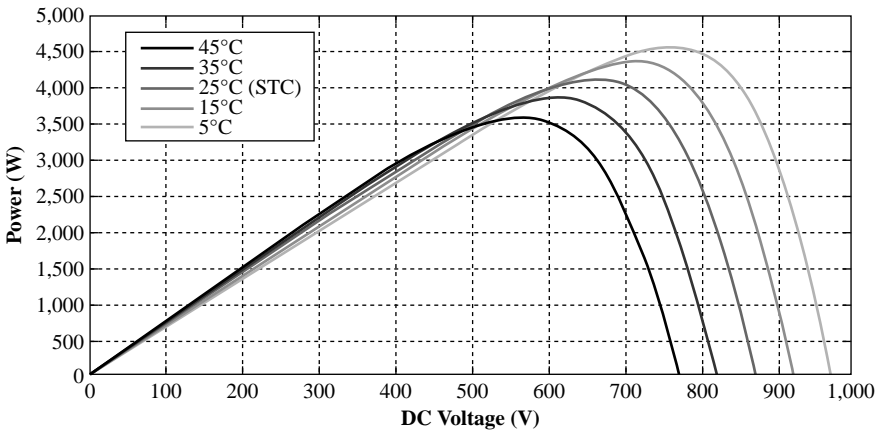


Figure E.5 (a) Generated $V-I$ characteristics for varying T ; (b) Generated power characteristics for varying T

used to study the effect of step load change on the 415 V, three-phase, 50 Hz AC side bus for a particular solar irradiance and weather condition.

(I) $E = 1,000 \text{ W/m}^2$ and $T = 298 \text{ K}$ (25°C)

Table E.4 shows the values of AC bus voltage for different loadings for the value of $E = 1,000 \text{ W/m}^2$ and $T = 298 \text{ K}$ (25°C). It is clear from Table E.4 that AC side loading on the array that keeps the bus voltage fixed at 415 V is almost 4,100 W, which corresponds to the maximum power capacity of 4,124 W as obtained from Table E.2. Figure E.7 shows the change in AC bus

Table E.3 Values calculated at solar irradiance of $1,000 \text{ W/m}^2$ for different values of ambient temperature

$T \text{ (K)}$	$V_{\text{ocar}} \text{ (V)}$	$V_{\text{pmar}} \text{ (V)}$	$P_{\text{mar}} \text{ (W)}$	$R_{\text{inar}} \text{ (}\Omega\text{)}$
278	972.51	750	4,566	36.54
288	923.19	720	4,360	33.55
298	873.42	660	4,124	34.16
308	823.18	600	3,857	34.72
318	772.44	570	3,590	32.15

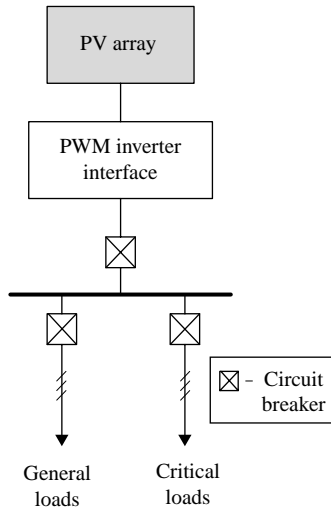


Figure E.6 Stand-alone PV system

Table E.4 Voltage values for load change from the model for Case 2(I)

Load change	Load (W)	Actual voltage in AC bus (V)	Voltage change
Corresponding to maximum power capacity of array (4,124 W)	4,100	415	Bus voltage maintained at specified level
10% reduction	3,690	429	3.37% rise
20% reduction	3,280	445	7.23% rise
10% increase	4,510	401	3.37% drop
20% increase	4,920	388	6.50% drop

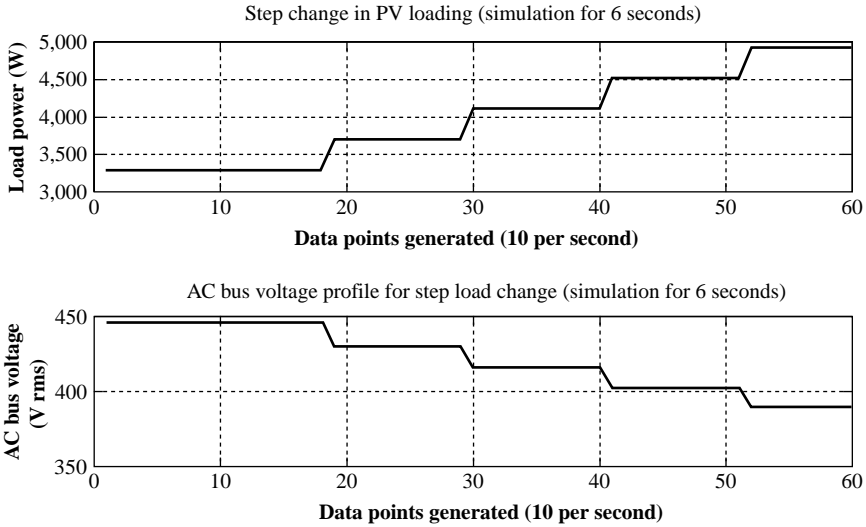


Figure E.7 AC voltage profile for step load change for $E = 1,000 \text{ W/m}^2$ and $T = 298 \text{ K}$

voltage profile with load changes from 3,690 to 4,920 W in five steps over a period of 6 seconds.

(II) $E = 800 \text{ W/m}^2$ and $T = 298 \text{ K}$ (25°C)

Table E.5 shows the values of AC bus voltage for different loadings for the value of $E = 800 \text{ W/m}^2$ and $T = 298 \text{ K}$ (25°C). It is clear from Table E.5 that AC side loading on the array that keeps the bus voltage fixed at 415 V is almost 3,160 W, which corresponds to the maximum power capacity of 3,181 W as obtained from Table E.2. Figure E.8 shows the change in AC bus voltage profile with load changes from 2,528 to 3,792 W in five steps over a period of 6 seconds.

Table E.5 Voltage values for load change from the model for Case 2(II)

Load change	Load (W)	Actual voltage in AC bus (V)	Voltage change
Corresponding to maximum power capacity of array (3,181 W)	3,160	415	Bus voltage maintained at specified level
10% reduction	2,844	429	3.37% rise
20% reduction	2,528	443	6.74% rise
10% increase	3,476	402	3.13% drop
20% increase	3,792	390	6.02% drop

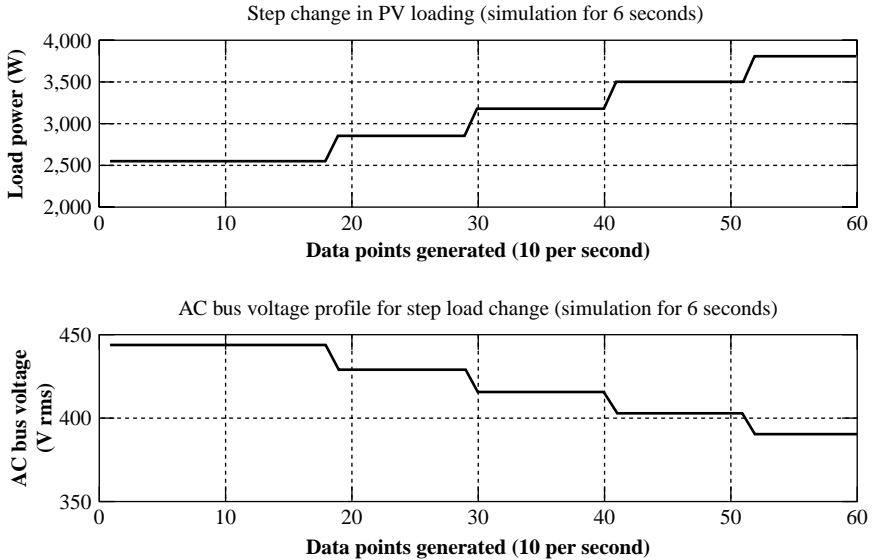


Figure E.8 AC voltage profile for step load change for $E = 800 \text{ W/m}^2$ and $T = 298 \text{ K}$

E.4.3 Case 3: Modelling of load-shedding scheme

The model has been used to develop a load-shedding scheme for the stand-alone PV system shown in Figure E.6. The load-shedding scheme is aimed at maintaining the loading level at the AC bus at a level suitable for the maximum power capacity of the PV system such that voltage at AC bus does not drop below a preset percentage. For this case, the allowable voltage drop has been chosen to be 2%. However, this limit can be changed by the user. The load-shedding module measures the voltage change in voltage profile at the 415 V AC bus and generates a trip signal (logic 0) after a time delay of 2 seconds, for opening the extra load circuit breakers for shedding these loads. The time delay of 2 seconds has been included in the programme in order to avoid spurious tripping in case of voltage transients caused by switching of other loads in the same bus. This time delay setting can also be changed by the user to suit his/her needs.

The present case shows the switching on of 20% extra load of 820 W above the maximum capacity of 4,100 W at $t = 0.2$ seconds for $T = 298 \text{ K}$ and $E = 1,000 \text{ W/m}^2$ (Table E.2). The voltage sensing module endures the extra loading for 2 seconds and then generates a trip signal and sheds the extra load. The load power, voltage profile and trip signal generation are shown in Figure E.9.

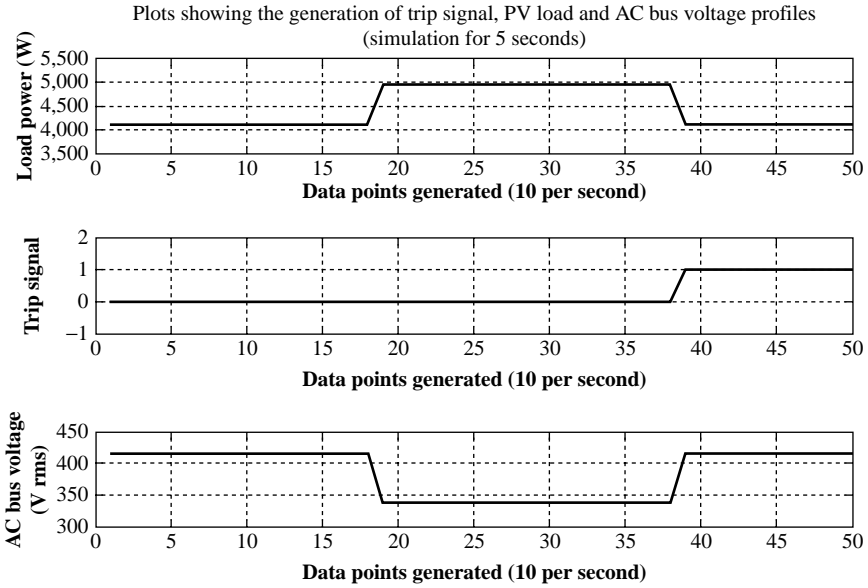


Figure E.9 *Plots showing the generation of trip signal, PV loading and AC voltage profiles*

Appendix F

Setting of market clearing price (MCP) in Microgrid power scenario

F.1 Proposed market structure for Microgrid participation

This section proposes and analyses a pricing mechanism for Microgrid energy in the competitive electricity market where the Microgrid CC is made to participate in the bidding process to settle the market clearing price (MCP). Two important market settlement techniques, day-ahead and real-time, are considered with the marketing strategies for renewable distributed generator (DGs), viz. PV and wind generation. The main idea is to determine the MCP for the dispatch by an aggregate of different types of DGs to an aggregate of different types of consumers. These consumers are categorised as sheddable loads and uninterruptible loads.

An electricity market system affects the purchase and sale of electricity using supply and demand to set the price. Reducing electricity price is invariably the first reason given for introducing competitive electricity markets. Microgrid operates in a local market and usually caters to medium industrial/commercial and residential customers. These customers do not have the financial incentives and the expertise required to contribute effectively in the pricing mechanism to such a complex local market. Due to this lack of representation, most electricity markets do not treat consumers as a genuine demand-side capable of making rational decisions, but simply as a load that needs to be served under all conditions. Active participation in these markets by demand-side still remains minimal.

The main idea is to determine the MCP for the dispatch by an aggregate of different types of DGs to an aggregate of different types of consumers. These consumers are categorised as sheddable loads and uninterruptible loads. Five different generator bidders are considered, viz.:

- (1) *Bidder 1* – Microturbine
- (2) *Bidder 2* – Fuel cell

- (3) *Bidder 3* – Diesel generator
- (4) *Bidder 4* – Wind generator
- (5) *Bidder 5* – Solar PV.

Bidders 1–3 are CHP systems, and 4 and 5 are renewables. The formulation considers an active participation of both supply- and demand-side and thus follows a power-trading model as shown in Figure F.1. Two important market settlement techniques are generally adopted in the electricity market – day-ahead and real-time. The day-ahead energy market is designed for market participants with the day-ahead prices. After the day-ahead market bidding period closes, the system operator calculates day-ahead MCPs on the basis of bids, offers and schedules submitted keeping in mind least cost, security constraints and unit commitment, and makes the day-ahead scheduling for each hour of the next operating day. The real-time market is designed to provide opportunities for generators that are available but not selected in the day-ahead scheduling; they might alter their bids for use in the real-time market, otherwise their original day-ahead market bids remain in effect.

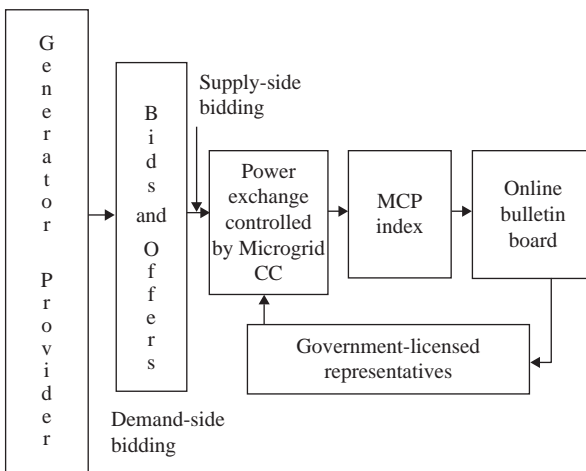


Figure F.1 Proposed Microgrid market model commercial structure

F.2 Bidding procedure

A good trading mechanism is a basic need for the market. But the oligopolistic nature of the electricity market reduces the market efficiency to a great extent. In an oligopolistic market, several producers compete to win a share of the market and bid against each other to supply electricity to the consumers. In current electricity markets, either a single-side bidding (the generator-side) or a double-side bidding (both generator- and consumer-side) is adopted. No matter whether it is single-side bidding or double, the generator providers do not know the current level of demand and consumers and also do not know the available

capacity of generators. This causes the complications and uncertainties in bidding for both sellers and buyers. Furthermore, electricity auction markets may have more than one commodity being bid for simultaneously, e.g. real-time energy, operating reserve and other ancillary service products.

There are two options of bidding followed by generator bidders: (i) block-generation bidding and (ii) sealed bid auction. In the first one, the portion of the load curve a supplier hopes to win depends on production cost estimate, temporal considerations of demand variations, unit commitment costs and other commercial considerations. In the second case, suppliers submit their competitive bid to the pool operator for the supply of the load forecasted by the operator. Each supplier's objective is to maximise benefit, and on the contrary, pool operator uses a dispatch strategy that minimises customer's burden.

Two types of bidding mechanism are used in the electricity market: (i) single-side bidding where only generator providers participate and (ii) double-side bidding where both generator providers and consumers participate.

F.3 Rules of MCP

There are three important pricing rules for electricity auction, but only two of them are generally used in real-time markets: (i) uniform or single price market clearing rules and (ii) discriminatory or pay-as-bid market clearing rules. First one is very common in electricity market. In this process, sellers would receive the MCP for their electricity, even if they bid less than that price and all consumers would pay the MCP, even if they bid more than that price. The theory behind such a bidding system is that all bids to sell electricity would be priced at the marginal cost of that electricity. As per the second rule, every participant with winning bid pays or is paid at the price of his/her bid. In this system, bidding is made by guessing the cut-off price; it is not based on marginal cost. The guessing is done by observing the results of the hourly bids, i.e. twenty-four a day. The drawback of this process is that some lower-cost firms would guess incorrectly and bid above the cut-off price. Thus, some high-cost firms would generate and lower-cost firms would remain idle. Cost of generation would, therefore, be increased above the market clearing cost. Pay-as-bid system could be expected to increase the total cost of generating electricity and would therefore be less efficient than uniform market clearing system. With the introduction of deregulation in the power sector, the implementation of the uniform pricing system came as a natural choice, since it is believed to offer to the bidders the incentives to reveal their true cost.

F.4 Formulation of MCP

The MCP is the lowest price obtained at the point of intersection of aggregated supply and demand curves. At this price both suppliers of generation and customers are satisfied and would provide enough electricity from accepted

sales bids to satisfy all the accepted purchase bids. The sales bids are usually arranged from the lowest offer price to the highest offer price, i.e. in the bottom-up order. Purchase bids, on the contrary, are arranged from their highest offer price to the lowest offer price, i.e. in the top-down order. At the MCP, the total sales bids would be equal to the total purchase bids. In a market, both the supply and demand bids are of the same type, i.e. either block or linear bids. This section presents the detailed analysis of MCP in the competitive market for linear bid cases.

F.4.1 Single-side bid market

In this market supply companies participate in the bidding, and demand of the consumers is considered as constant irrespective of the market price. The market is considered to comprise CHP generators, renewables and diesel back-up generators. Diesel generator is generally used as back-up but for comparison purpose it has been taken as a mainstream generator.

Now, if $Q_1(p)$ kW be generated by Bidder 1 at price p \$/kWh, then supply curve can be expressed as

$$Q_1(p) = \frac{p}{m_{s1}} = Q_{1\text{elec}} + Q_{1\text{Th}} \quad (\text{F.1})$$

where $Q_{1\text{elec}}$ is the electrical kW generated by microturbine, $Q_{1\text{Th}}$ the thermal energy generated by microturbine, which is converted into equivalent electrical load using Joule's constant, and m_{s1} the slope of the linear supply curve of Bidder 1.

Similarly, if $Q_2(p)$ kW be generated by Bidder 2 at price p \$/kWh, then supply curve can be expressed as

$$Q_2(p) = \frac{p}{m_{s2}} = Q_{2\text{elec}} + Q_{2\text{Th}} \quad (\text{F.2})$$

where $Q_{2\text{elec}}$ is the electrical kW generated by fuel cell system and $Q_{2\text{Th}}$ the thermal energy generated by fuel cell, which is converted into equivalent electrical load using Joule's constant, and m_{s2} the slope of the linear supply curve of Bidder 2.

Likewise, combined supply curve for N bidders will be

$$\begin{aligned} Q(p) &= Q_1(p) + Q_2(p) + \dots + Q_N(p) \\ &= \frac{p}{m_{s1}} + \frac{p}{m_{s2}} + \dots + \frac{p}{m_{sN}} \\ &= p \sum_{j=1}^N \frac{1}{m_{sj}} \end{aligned} \quad (\text{F.3})$$

Assuming demand is fixed at D , at MCP (p^*):

$$Q(p^*) = D$$

or

$$p^* \sum_{j=1}^N \frac{1}{m_{sj}} = D$$

Therefore,

$$p^* = \frac{D}{\sum_{j=1}^N (1/m_{sj})} \quad (\text{F.4})$$

In (F.4), it is assumed that bidders have enough capacity of generation. If the capacity limit, minimum generation (Q_{\min}) to maximum generation (Q_{\max}), is specified then the combined supply curve (F.3) can be represented as

$$Q(p) = p \sum_{j=1}^N \frac{1}{m_{sj}} [U(Q - Q_{\min}) - U(Q - Q_{\max})] \quad (\text{F.5})$$

where

$$\begin{aligned} U(Q - Q_{\min}) &= 1, & \text{when } Q \geq Q_{\min} \\ &= 0, & \text{when } Q < Q_{\min} \end{aligned}$$

and

$$\begin{aligned} U(Q - Q_{\max}) &= 1, & \text{when } Q \geq Q_{\max} \\ &= 0, & \text{when } Q < Q_{\max} \end{aligned}$$

Equating (F.5) with the demand 'D', the MCP (p^*) can be determined.

F.4.2 Double-side bid market

In this market, elasticity of demand curve has been considered. Both supply- and demand-side bidding are taken into account for determination of MCP (p^*). Both linear supply and demand variations with price have been considered for analysis.

Let $D(p)$ be the combined demand at price ' p ' \$/kWh obtained from bids of N numbers of consumers participating in the market. $D(p)$ can be expressed as

$$D(p) = \sum_{j=1}^N \frac{p_0}{m_{dj}} - \sum_{j=1}^N \frac{p}{m_{dj}} \quad (\text{F.6})$$

Figure F.2 shows the linear demand and supply bid curves. Here p_0 is the price axis intercept of demand curve that varies with type of consumers. If at a particular price (p), $D(p)$ is considered aggregated demand for all the participating consumers; therefore,

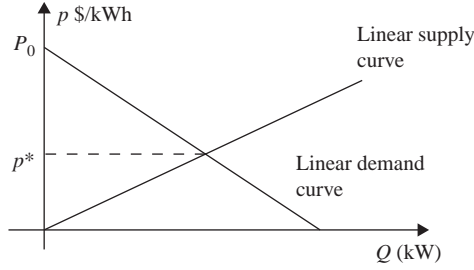


Figure F.2 *Linear demand and supply bid curves*

$$D(p) = \sum_{j=1}^N \frac{p_0}{m_{dj}} - p \sum_{j=1}^N \frac{1}{m_{dj}} \quad (\text{F.7})$$

At the MCP (p^*),

$$p^* \sum_{j=1}^N \frac{1}{m_{sj}} = \sum_{j=1}^N \frac{p_0}{m_{dj}} - p^* \sum_{j=1}^N \frac{1}{m_{dj}} \quad (\text{F.8})$$

Therefore, MCP can be calculated from the following expression:

$$p^* = \frac{\sum_{j=1}^N (p_0/m_{dj})}{\sum_{j=1}^N ((1/m_{sj}) + (1/m_{dj}))} \quad (\text{F.9})$$

F.5 Case study

The Microgrid system under consideration comprises the following generators:

- (1) *Bidder 1* – Microturbine
- (2) *Bidder 2* – Fuel cell
- (3) *Bidder 3* – Diesel generator
- (4) *Bidder 4* – Wind generator
- (5) *Bidder 5* – Solar PV.

These are given in Table F.1.

F.5.1 Case 1: Linear supply bid with fixed demand (i.e. single-sided bid market)

In this case, a constant demand of 80 kW is considered. Analysis is performed for the following situations:

- (1) The renewable generators are considered non-available. Demand is met only by the CHP generators (Bidders 1 and 2) and diesel generator (Bidder 3). The individual and cumulative supply curves for Bidders 1, 2 and 3 are shown in Figure F.3.

Table F.1 Bidder parameters

Generators	m_s (\$/kWh)	Q_{gmax} (kW)	Q_{gmin} (kW)	Heat rate (kJ/kWh)
Bidder 1 (Microturbine)	0.1056	30	Minimum power for satisfying the thermal load	12,186
Bidder 2 (Fuel cell)	0.1386	50	Do	9,480
Bidder 3 (Diesel generator)	0.063	60	0	–
Bidder 4 (Wind generator)	0.27	10	0	–
Bidder 5 (Solar PV)	0.4756	20	0	–

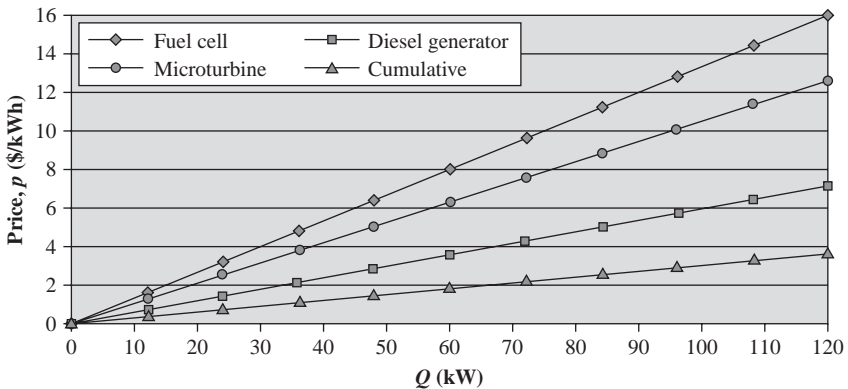


Figure F.3 Individual and combined supply curves for Bidders 1, 2 and 3

MCP is obtained from the intersection of the cumulative supply curve and the vertical line drawn from $Q = 80$ kW. For this case, $MCP = \$2.5/\text{kWh}$.

Power supplied by each generator to meet the demand of 80 kW is shown in Table F.2.

(2) In this case, it is considered that the combined generation from the renewable generators is 30 kW and that they do not participate in the bidding process. It is also considered that both wind and PV generation are available during the daytime, which only reduces the total dispatch from Bidders 1, 2 and 3 from 80 to 50 kW. In this case, MCP is obtained from the intersection of the cumulative supply curve and the vertical line drawn from $Q = 50$ kW. For this case, $MCP = \$1.5/\text{kWh}$. Since MCP is reduced, it may not be possible to recover the cost of renewables and also the excess cost during the

Table F.2 Bidder supply

Generators	Generator output (kW)	Payment (\$)
Bidder 1 (Microturbine)	24.0	60
Bidder 2 (Fuel cell)	18.0	45
Bidder 3 (Diesel generator)	48.0	120
Total	80.0	225

non-availability of the renewables. Therefore the MCP should be fixed at \$1.5/kWh. However, output of bidders would be reduced by

$$\Delta Q_i = \frac{\Delta p}{m_{sj}} \tag{F.10}$$

(3) In this case, impact of bidding of renewables is studied. Both wind and PV generation are uncertain. Output variation of wind and PV generators as well as MCP with different bidding rates (m_s) are shown in Figure F.4.

Two situations are shown in Figure F.4, viz. (i) restricted renewables and (ii) unrestricted renewables.

Restricted renewables: If the renewables bid at $m_s = 0$, it will be completely dispatched and MCP will be 1.5 \$/kWh. Restricted output from renewables is possible in Microgrid due to the presence of storage.

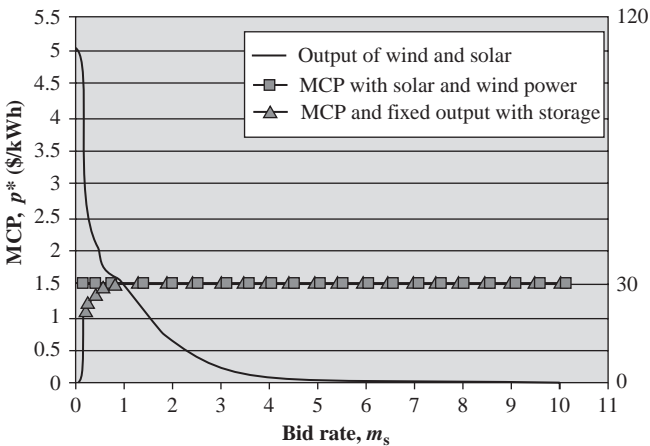


Figure F.4 MCP versus bid rate, and output versus bid rate curves when demand is fixed

Unrestricted renewables: The MCP with restricted renewables (i.e. 30 kW) is same as MCP for the unrestricted renewables at $m_s = 1.0$. Maximum and minimum MCP can be calculated by partial differentiation of (F.4) with respect to m_s and then equating to zero. Table F.3 shows the payments and output for the following two options at different values of m_s varying from 0 to 10:

- (1) Option 1: with fixed renewable generation of 30 kW, MCP = \$1.5/kWh when $m_s < 1$
- (2) Option 2: when m_s lies between 1 and 10, MCP is calculated with renewables and output of Bidders 1, 2 and 3, as adjusted by (F.10).

Table F.3 Bidder payments and output

Generators	Output (kW) ($m_s < 1$)	Payment (\$) for Option 1	Output (kW) ($1 < m_s < 10$)	Payment (\$) for Option 2
Bidder 1	14	21	14	33.6
Bidder 2	12	18	12	28.8
Bidder 3	24	36	24	57.6
Renewables	30	45	30	72
Total	80	120	80	192

F.5.2 Case 2: Linear supply bid with linear demand bid (i.e. double-sided bid market)

In this case, two consumers participating in the bidding are considered and shown in Figure F.5. Bidding data of the consumers are given in Table F.4. Linear bid data for demand has been considered.

MCP is calculated from the intersection of supply and demand curves and it is found out as \$3.4/kWh. Corresponding demand of individual consumers is obtained from Figure F.5.

Data used:

Demand of Bidder 1 = 64 kW

Demand of Bidder 2 = 46 kW

Total demand = 110 kW

Generator providers meet this demand by supplying as per schedule shown in Figures F.3 and F.5:

Bidder 1 (Microturbine) = 33 kW

Bidder 2 (Fuel cell) = 26 kW

Bidder 3 (Diesel generator) = 51 kW

Total generation = 110 kW

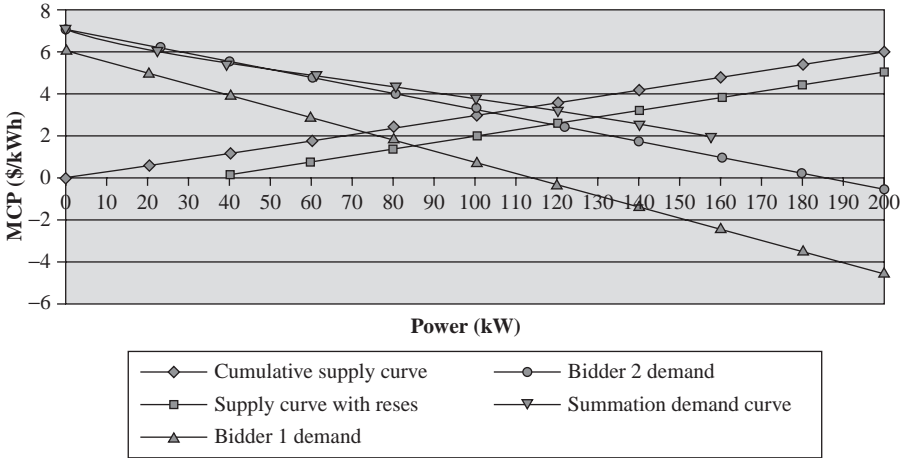


Figure F.5 Supply (cumulative) and demand (individual and cumulative) curves

Table F.4 Linear bid data

Consumer	m_{aj} (\$/kWh/kW)	p_0 (\$/kWh)
Bidder 1	0.041	6.0
Bidder 2	0.077	7.0

If renewables do not participate in the bidding process, then their contribution of 30 kW will reduce the MCP to \$3/kWh and consumption of the consumers will increase to

- Bidder 1 = 72 kW
- Bidder 2 = 52 kW
- Total demand = 124 kW

From Figure F.5, when renewables supply 30 kW, then supply of other three bidders will be as follows:

- Bidder 1 (Microturbine) = 23 kW
- Bidder 2 (Fuel cell) = 29 kW
- Bidder 3 (Diesel generator) = 49 kW
- Total generation = 101 kW

From Figure F.6, when bidding rate of renewables is less than 1.0, then there is no impact on the MCP with restricted renewables of 30 kW. With the increase in bidding rate MCP increases, but power dispatched from renewables is less. Table F.5 shows the payments at various MCP and the corresponding output.

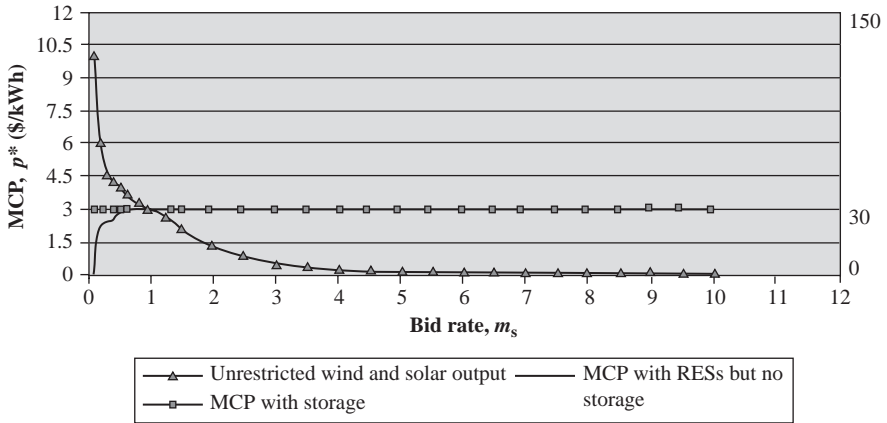


Figure F.6 MCP versus bid rate, and output versus bid rate curves when demand is elastic

Table F.5 Bidder payments and output at different MCPs

Generators	Without renewables		With renewables	
	Power (kW)	Payment (at \$3.4/kWh)	Power (kW)	Payment (at \$3/kWh)
<i>Supply-side payment</i>				
Bidder 1	33	112.2	23	69
Bidder 2	26	88.4	29	87
Bidder 3	51	173.4	49	147
Renewables	0	–	30	90
Total payment	110	374.0	131	393
<i>Demand-side</i>				
Bidder 1	64	217.6	76	228
Bidder 2	46	156.4	55	165
Total payment	110	374.0	131	393

F.6 Impacts on electricity market

The bidding strategies used by generating companies with the goal of maximising their own profits show various potential possibilities to exercise market power. Market power is simply the power that market participants hold to manipulate the market in their own favour. Various reasons for the existence of market power are transmission congestion, market players and market structure.

Congestion is common in the electricity transmission system. Microgrid system itself provides respite from utility grid congestion. Scheduling of energy production in the day-ahead market will also help to mitigate transmission congestion issues. A large company (i.e. a big market player) can easily manipulate energy prices that are set far from its marginal cost. In the Microgrid market both conventional (microturbine, fuel cell) and Renewable Energy Sources (RESs) participate. Due to inconsistent behaviour of renewables, the market structure and market rules are also important causes for some kind of exercise of market power, such as what pricing mechanism is implied – uniform price or pay-as-bid. Chances of market volatility in the Microgrid market are almost absent. Though a perfect match between power production and power demand is hardly possible, still due to presence of the storage system this gap can be mitigated easily. Carbon emission alerts us every time to shift the nature of electricity generation from the fossil fuel type to non-conventional type. In this case, Microgrid system of generation has an edge over the conventional type. Carbon taxation will indirectly encourage the Microgrid system.

Appendix G

Islanding operation of distributed generators in active distribution networks – simulation studies

G.1 Background

Due to growing power demand and increasing concern about the environmental pollution caused by fossil fuelled-power plants, the distributed generation concept is gaining greater commercial and technical importance all over the world. Distributed generation encompasses the interconnection of small-scale, on-site DGs with the main utility grid at distribution voltage level. DGs constitute non-conventional and renewable energy sources like solar PV, wind turbines, fuel cells, mini/micro hydro, tidal and wave generators and microturbines. These technologies are being preferred for their high energy efficiency (microturbine or fuel cell-based CHP systems), low environmental impact (PV, wind, hydro, etc.) and their applicability as uninterruptible power supplies to PQ (power quality) sensitive loads. Electricity market reforms and advancements in electronics/communication technology are currently enabling the improved control of geographically distributed DGs through advanced SCADA (supervisory control and data acquisition). Research has been carried out on how interconnected DGs can be operated as Microgrids in both grid-connected and stand-alone modes.

Surveys indicate that in spite of increasing DG penetration, power engineers, network operators, regulators and other stakeholders are hesitant regarding incorporation of DGs into existing system and their independent operation as power islands due to various technical impacts of DG penetration on the existing utility. Power island operation is the independent operation of DGs to supply their own as well as utility loads. In this mode of operation, the DGs supply the utility loads at the utility bus and maintain full frequency and voltage controllability of that bus.

Studies show that a high degree of penetration of DG (more than 20%) as well as DG placement and sizing have considerable impact on operation, control, protection and reliability of the existing utility. These issues must be critically assessed and resolved before allowing the market participation and power island operation of DGs. This is necessary for utilising full DG potential for generation augmentation, for enhancing power quality (PQ) and reliability

and for providing auxiliary services such as active reserve, load-following, critical loads, reactive reserve and restoration.

The area that is critically affected by DG penetration is protection co-ordination of the utility distribution system. Conventional overcurrent protection is designed for radial distribution systems with unidirectional fault current flow. However, connection of DG to distribution networks converts the singly fed radial networks into complicated ones with multiple sources. This changes the flow of fault currents from unidirectional to bidirectional. Further the steady state and dynamic behaviour of the DGs also affect the transmission system operation. Various impacts of DG connection on existing utility network protection are (i) spurious tripping of feeders or protective devices, (ii) blinding of protection, (iii) change of fault levels with connection and disconnection of DGs, (iv) unwanted islanding, (v) prevention of automatic reclosing, (vi) unsynchronised reclosing and (vii) danger to operating personnel due to DGs remaining connected at the grid bus.

Current technical recommendations like G83/1, G59/1, IEEE 1547 and CEI 11-20 prescribe that DGs should be automatically disconnected from the medium- and low-voltage utility distribution networks in case of tripping of the circuit breaker (CB) that supplies the feeder connected to the DG. This is known as the anti-islanding feature which is mandatory in the inverter interfaces for DGs available in the market. As the DGs are not under direct utility control, the use of anti-islanding protection is justified by the operational requirements of the utilities. Anti-islanding systems are mainly used to ensure personnel safety at the grid-end and to prevent any out-of-synchronism reclosure. Various low cost and efficient digital islanding protection schemes are being developed, tested and validated through extensive research activities.

However, with greater DG penetration, automatic disconnection of DGs for loss of grid (LOG) situation drastically reduces the expected benefit of DGs. It also leads to unnecessary loss of DG power in the event of utility fault and increases the complexity of protection system. Currently, the idea of keeping the DGs connected during system disturbances and islanded protection of DGs is also being debated upon by researchers across the globe. Several technical studies clearly indicate that for supporting DG islanding operations, there is a need to review parts of the Electricity Safety, Quality and Continuity Regulations (ESQCR). To exploit DGs in a better way, it is probable that G59/1 and G75, together with Engineering Technical Report (ETR 113/1), will be updated in future to accommodate more independent forms of DG operation. New grid codes are being developed to ensure grid stability during, and following, a major fault on the transmission network. This will ensure a common approach for the benefit of overall network stability and resilience. It is clear that the limits for frequency and voltage excursions laid down in ESQCR are too stringent to allow seamless islanding to occur and that a more probabilistic approach, similar to that used for EN 50160, should be developed to accommodate such events, although not necessarily with the same limits.

Appendix G presents a simulation study of islanding operation of DGs in active distribution networks. It validates the technical feasibility of islanding operation of DGs to exploit their major advantages in providing ancillary services and in enhancing overall quality and reliability of energy supply. The grid-connected DGs are operated at PQ mode. In PQ mode, bus voltage and frequency are controlled solely by the grid and the DGs supply a fixed active power (P) and reactive power (Q). On disconnection from grid, they are switched to V-f (voltage-frequency) mode to operate as independent power islands with full controllability of bus frequency and voltage. Suitable controllers are employed separately for individual control of voltage and frequency at the DG bus. Stand-alone and interconnected 28.1 MVA, 11 kV gas turbines (GTs) are used as DG in this study. The simulation results are validated through several case studies using DIgSILENT software package for both intentional and unintentional LOG situations. It has been observed that interconnected DG islands can better share the system's active and reactive power demand, thereby leading to quick restoration of the system voltage and frequency within permissible bandwidth. However, further scope of this work is to study the operation of hybrid power islands with different types of DGs and storage facilities and to investigate economic options for re-synchronising the islanded DGs with the main grid as and when required.

G.2 System configuration

System configuration for three systems are described in the following text.

In System 1 shown in Figure G.1, the DG system consists of one 28.1 MVA, 11 kV GT connected to the grid at 11 kV through 33/11 kV transformers.

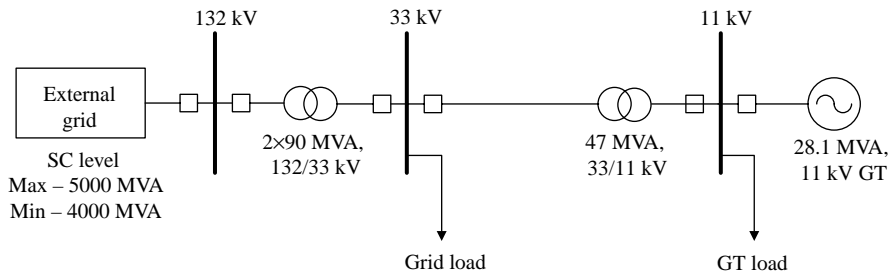


Figure G.1 System 1

In System 2 shown in Figure G.2, two 28.1 MVA, 11 kV GTs, GT#1 and GT#2, are used as DG systems. These are separately connected to the grid at 11 kV through 33/11 kV transformers. GT#1 and GT#2 are again connected via a 11 kV intertie.

In System 3 shown in Figure G.3, three DG systems, GT#1, GT#2 and GT#3, are considered. Each DG is a 28.1 MVA, 11 kV GT as in System 1. All

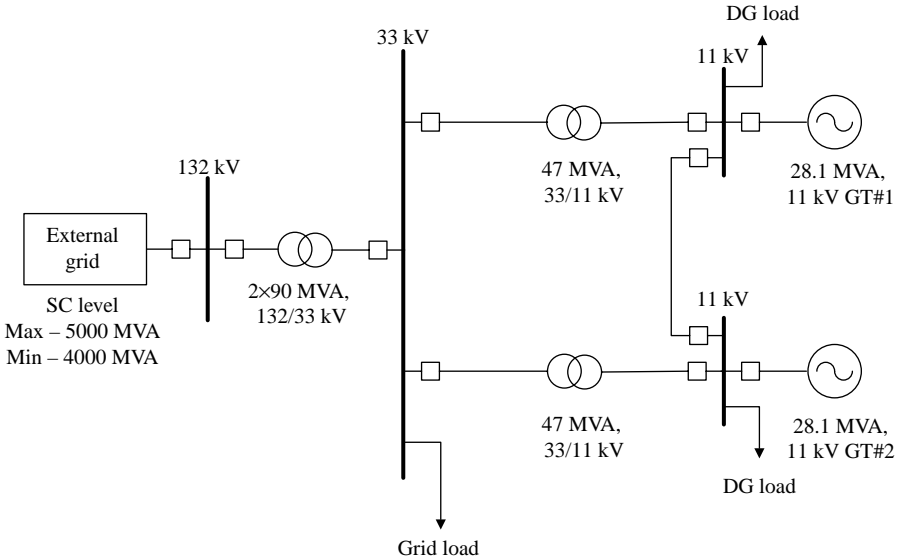


Figure G.2 *System 2*

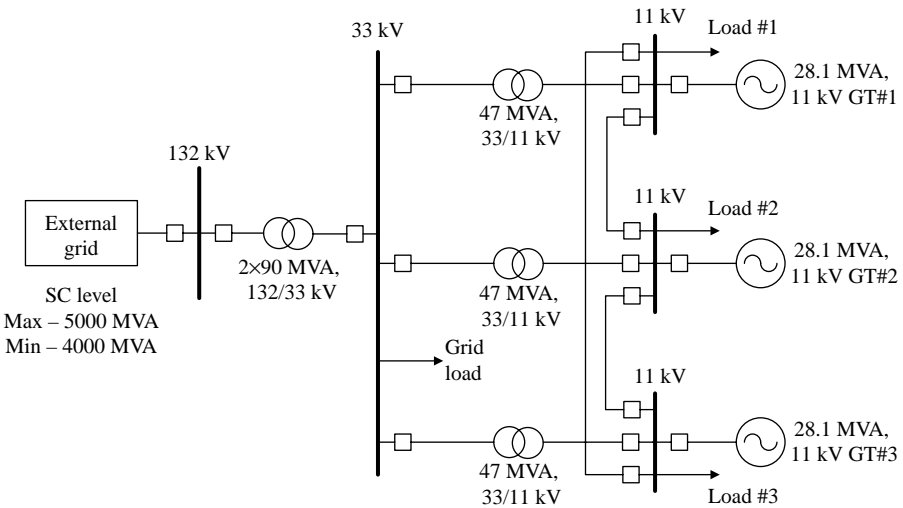


Figure G.3 *System 3*

the GTs are separately connected to the grid at 11 kV through 33/11 kV transformers. GT#1, GT#2 and GT#3 are connected to one another through interties as delta.

For all the systems the DGs, when grid-connected at 11 kV bus, are operated in the PQ mode and the voltage and frequency at the 11 kV bus are regulated by the grid. On islanding, the DGs are switched from PQ mode to V-f mode and the 11 kV bus voltage and frequency are then regulated by the DGs. The 132 kV grid is assumed to be of very high pool with respect to the DGs. In this study the maximum and minimum short-circuit levels of the grid are considered to be 5,000 and 4,000 MVA, respectively, and the maximum level is used for study. Grid load at 33 kV bus is taken to be 100 kW while each GT is loaded to a maximum of 23 MW on islanding. V-f controllers for DGs are modelled based on standard IEEE excitation controller and frequency controller models.

G.3 Case studies

The successful islanding operation of DGs has been showcased through several case studies for all the three system configurations described in Section G.2. For all the studies the voltages and frequencies are plotted for the 11 kV buses to which the DGs are connected.

G.3.1 Case study 1

The study is performed on System 1. Simple islanding takes place at $t = 25$ seconds. The controllers are switched on after islanding. The voltage and frequency plots in Figure G.4 show that the bus voltage takes about 7 seconds and system frequency about 6 seconds to settle after islanding. The controllers are capable to arrest the voltage and frequency excursions within permissible limits.

G.3.2 Case study 2

G.3.2.1 Case study 2(a)

The study is performed on System 2. Simple islanding takes place for both GT#1 and GT#2 at $t = 25$ seconds. The intertie between GT#1 and GT#2 is connected at the instance of islanding. In this case, both the interconnected DGs are not allowed to switch from PQ mode to V-f mode to avoid control conflict after islanding. The control strategy is to use one DG as the master controller while the other remains the slave. The master DG is switched on to V-f mode after islanding to control the overall island voltage and frequency, while the slave DG is maintained at fixed generation. On islanding any extra loading is taken up by the master DG. In this study GT#1 becomes the master DG and GT#2 the slave after islanding. The bus voltage takes about 11 seconds and system frequency takes about 10 seconds to settle after islanding. Bus voltage and frequency plots of Figure G.5 show that the bus voltage of the slave DG is slightly less than that of the master DG bus due to the drop across the interconnection tie line. The master controller is quite capable of arresting the voltage and frequency excursions of the island within permissible limits. Both the DGs are capable of becoming the master, the other being the slave. Similar responses are obtained with GT#2 as the master and GT#1 as the slave.

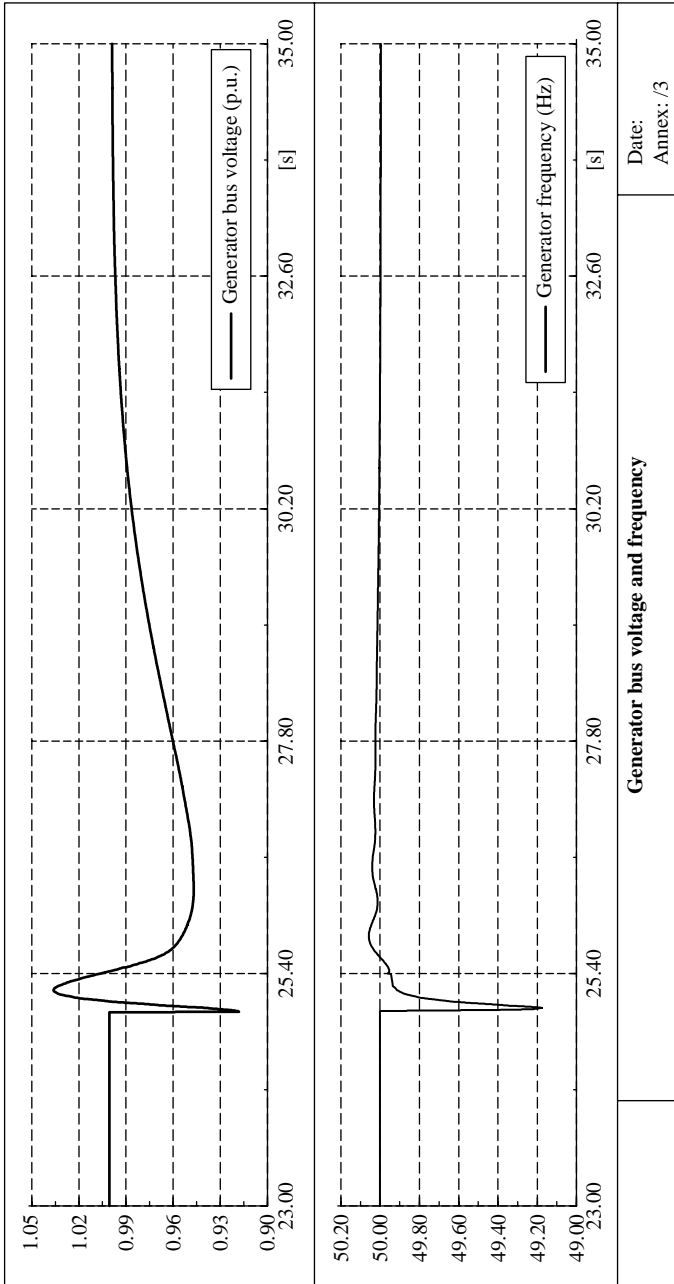


Figure G.4 Voltage and frequency at 11 kV DG bus for Case 1

Date:
Annex: /3

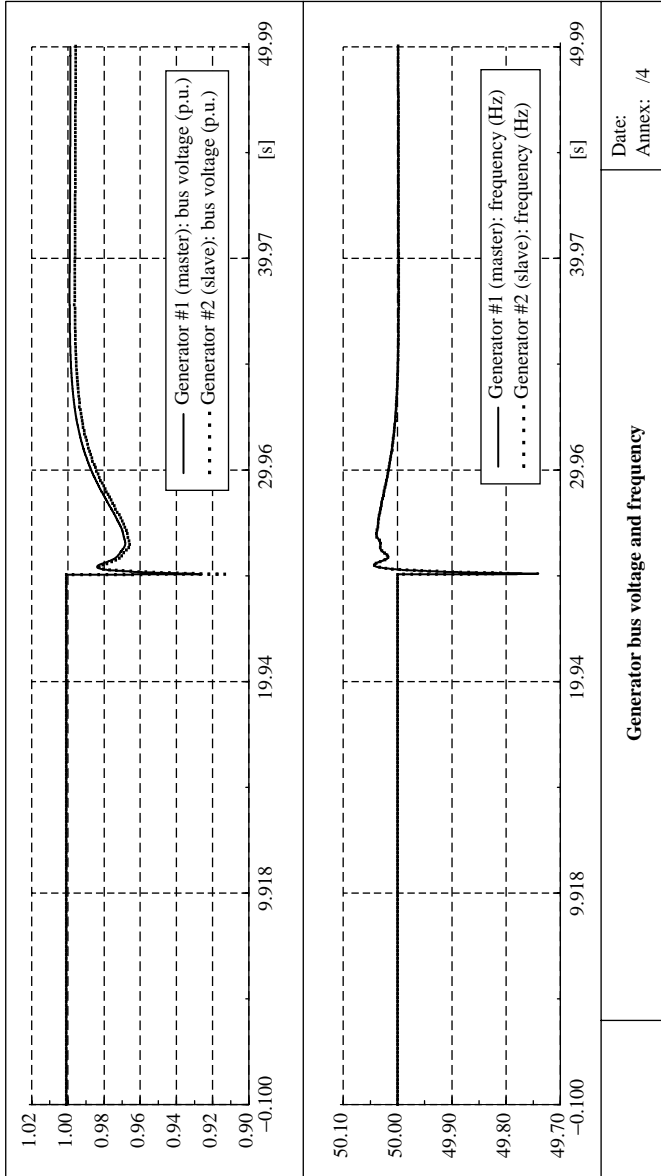


Figure G.5 Voltage and frequency at 11 kV DG bus for Case 2(a)

G.3.2.2 Case study 2(b)

This study is similar to Case 2(a). Here GT#1 is used as the master DG on islanding and GT#2 is the slave. Islanding takes place at $t = 25$ seconds and the intertie is closed. GT#1 is switched from PQ to V-f mode to control the voltage and frequency of the island. When GT#1 shuts down at $t = 50$ seconds, then GT#2 being the only DG in the island takes up the control and supplies the total load. However, when the total load is more than its capacity then extra load needs to be shed. The settling times for bus voltage and frequency shown in Figure G.6 are same as Case 2(a) except the temporary frequency depth that is slightly more. Still, the voltage and frequency excursions are within permissible limits.

G.3.3 Case study 3

G.3.3.1 Case study 3(a)

In this case, simple islanding takes place for all the three GTs at $t = 25$ seconds. GT#1 is designated as the master controller while GT#2 is the slave maintained at fixed generation of 20 MW. GT#3 is self-controlled. The interties between GT#1 and GT#2 are closed on islanding while the others are kept open. On islanding, GT#1 switches from PQ to V-f mode for maintaining the 11 kV bus voltages and frequency for GT#1 and GT#2. GT#3 also switches from PQ to V-f mode to regulate its own 11 kV bus voltage and frequency. Thus, two independent power islands are formed – one consisting of GT#1 and GT#2 and the other consisting of GT#3 alone. Simulation plots are shown in Figure G.7. It can be seen that when the DGs are interconnected then their voltage and frequency dip transient responses are better than that of the non-interconnected DG. But single DG takes lesser time than interconnected ones. Nevertheless, the voltage and frequency excursions are within permissible limits for both the islands.

G.3.3.2 Case study 3(b)

This case is similar to Case 3(a). However, here GT#1 is the master controller and GT#2 and GT#3 are slaves maintained at fixed generation. Simple islanding takes place for all the GTs at $t = 20$ seconds. On islanding, all the interties are closed and only GT#1 switches from PQ to V-f mode. The voltage and frequency responses at 11 kV GT buses are shown in Figure G.8. The voltages at the buses of the slave DGs (GT#2 and GT#3) are somewhat less than that of the master DG (GT#1) bus due to intertie voltage drops. The voltage and frequency excursions as shown in Figure G.8 are within permissible limits for the island. It has been seen that any of the GTs can be used as the master with the others being slaves.

G.3.3.3 Case study 3(c)

Simple islanding takes place for all the DGs at $t = 20$ seconds. The interties amongst all the DGs, GT#1, GT#2 and GT#3, are connected at the islanding instance forming a delta-connected single island. GT#1 is used as the master

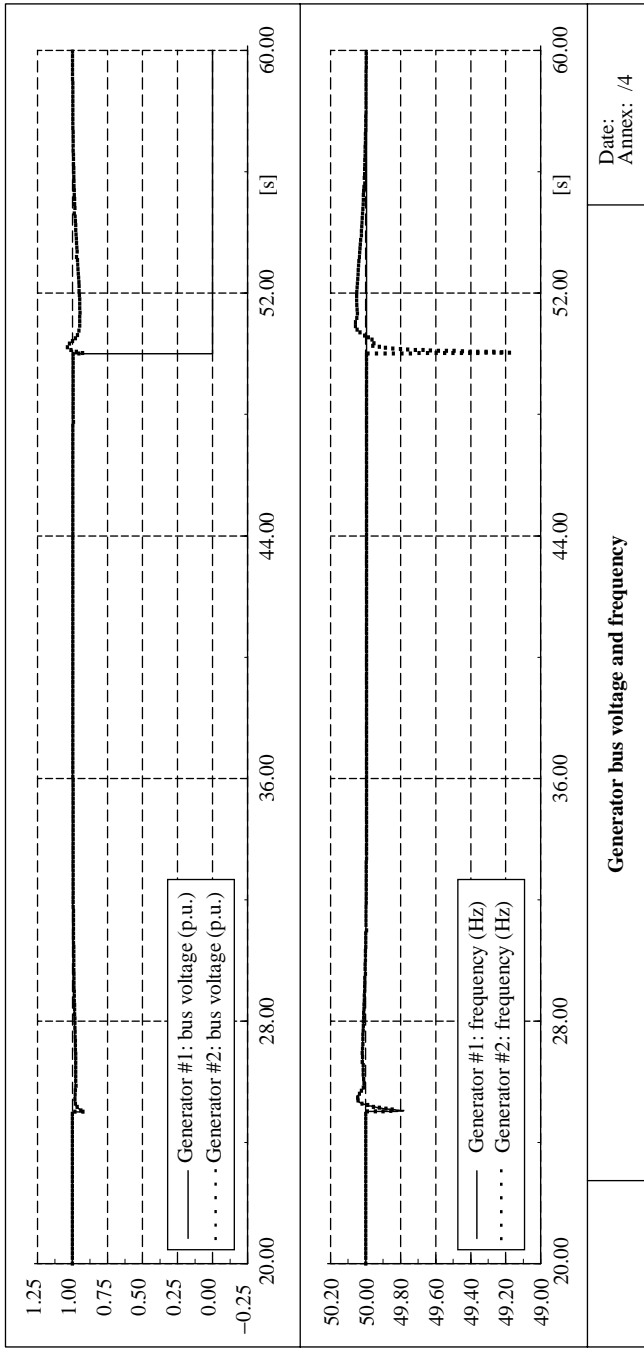


Figure G.6 Voltage and frequency at 11 kV DG bus for Case 2(b)

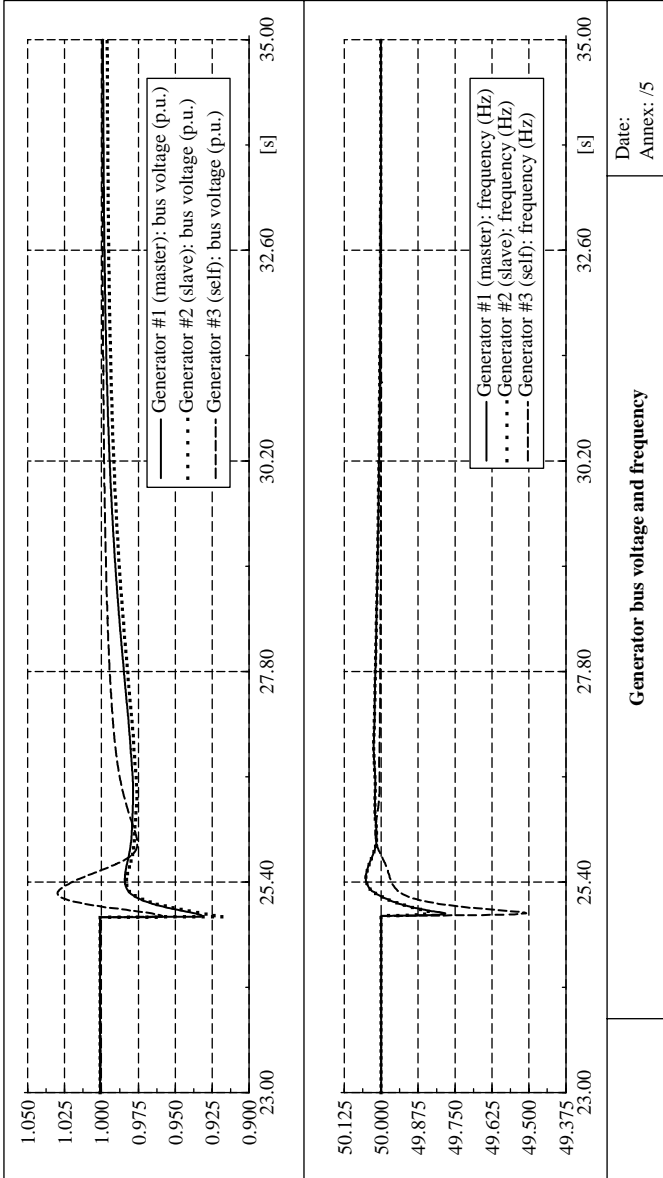


Figure G.7 Bus voltage and frequency for Case study 3(a)

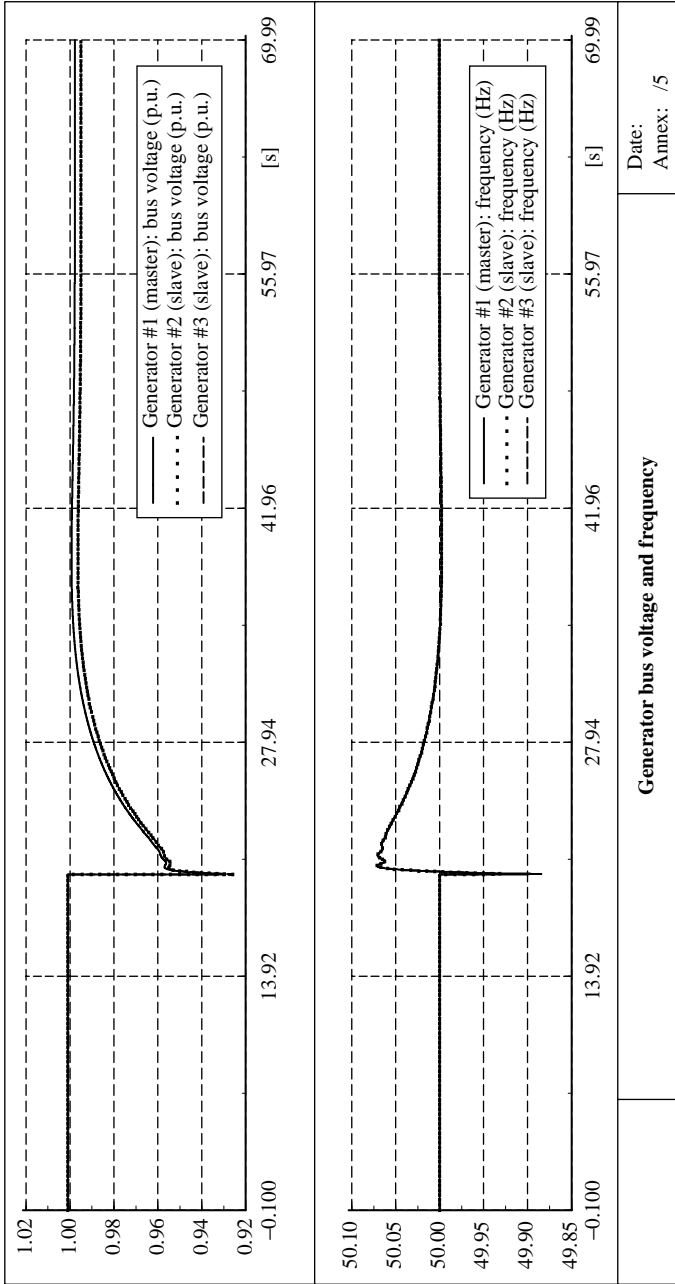


Figure G.8 Bus voltage and frequency for Case study 3 (b)

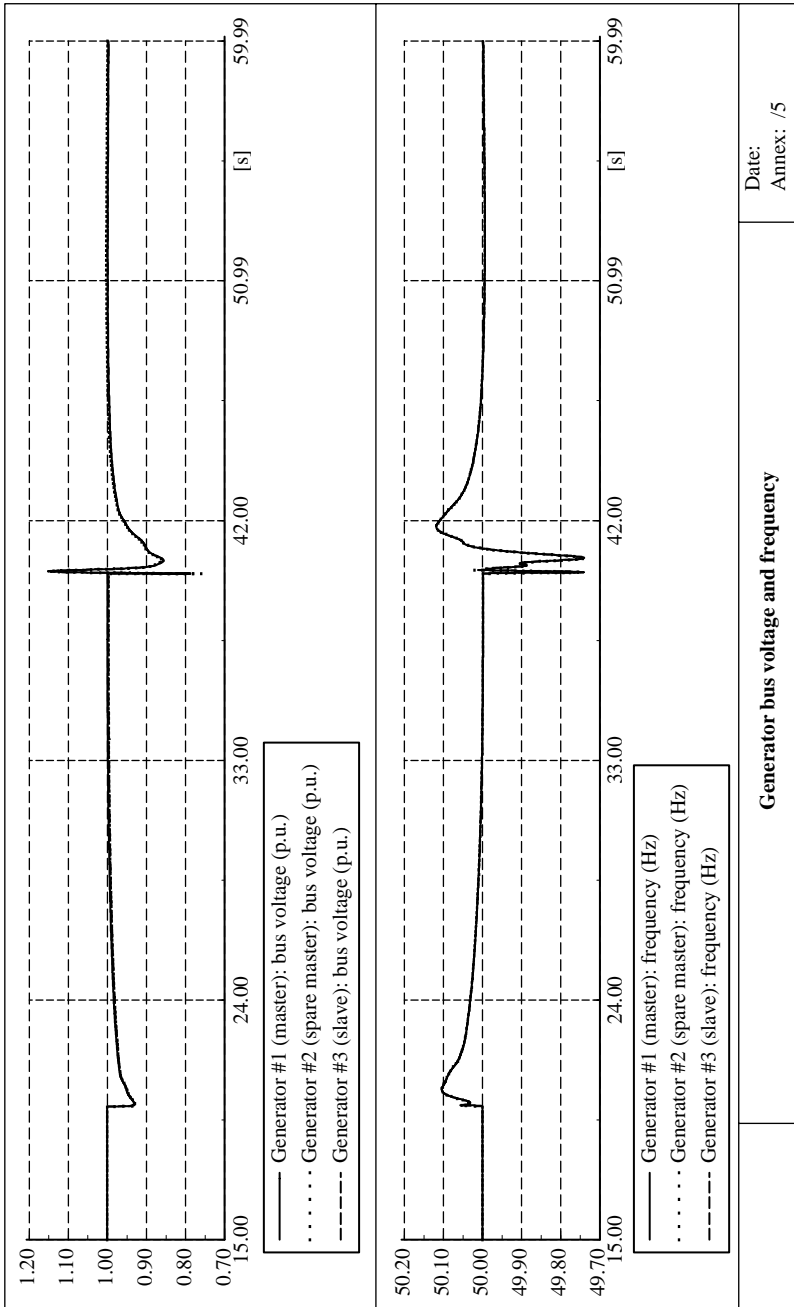


Figure G.9 Voltage and frequency at 11 kV DG bus for Case 3(c)

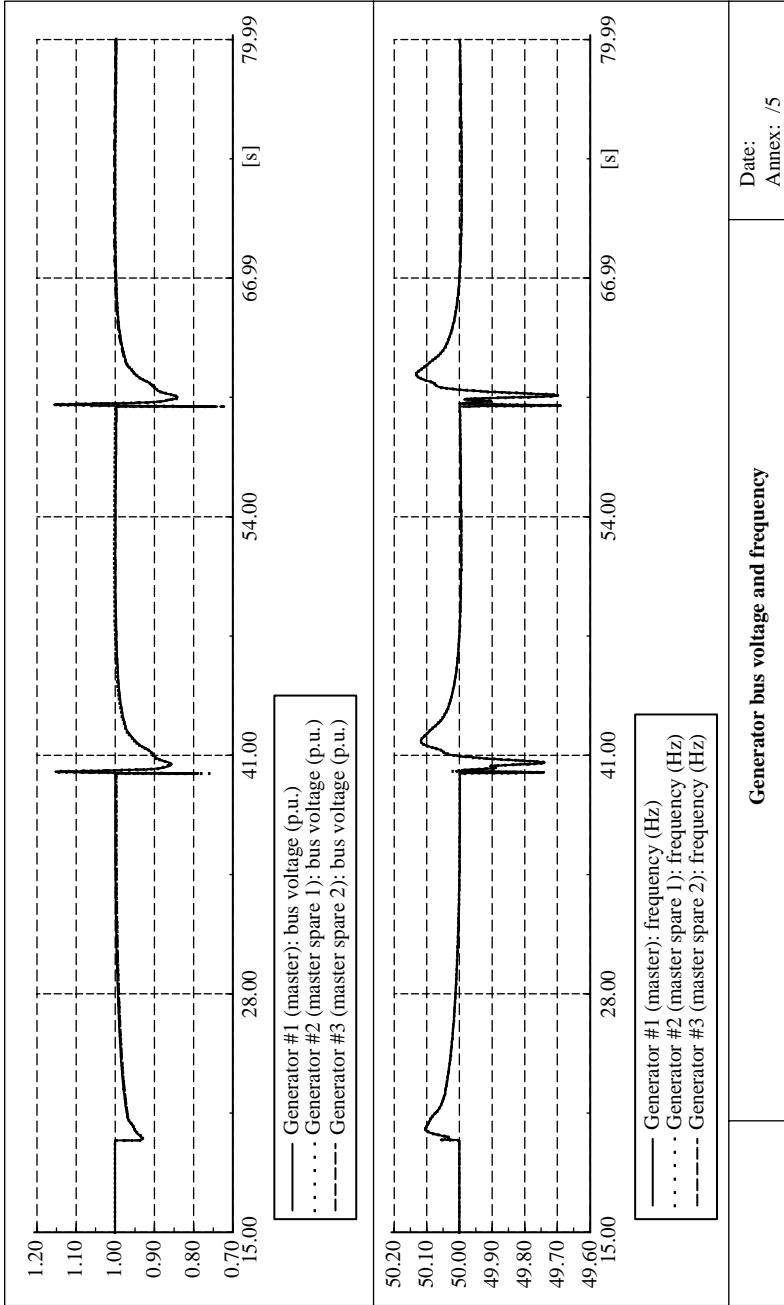


Figure G.10 Voltage and frequency at 11 kV DG bus for Case 3(d)

controller and switches to V-f mode on islanding. GT#2 takes up as master at $t = 40$ seconds while GT#1 becomes the slave. GT#3 is maintained as slave at fixed generation throughout. Figure G.9 shows that the bus voltages at the buses of the slave DGs are slightly less than that of the master DG bus due to inertie line drops. The voltage and frequency excursions are within permissible limits for the island. All the DGs are capable of being used as master. The responses are tested to be same with any one of the three DGs as master.

G.3.3.4 Case study 3(d)

This case is similar to Case 3(a) forming a delta-connected single island on islanding at $t = 20$ seconds. The GT#1 is used as the master controller, the others being slaves. The GT#2 takes up as master at $t = 40$ seconds, the others being slaves. The GT#3 takes up as master at $t = 60$ seconds, the others being slaves. The voltage and frequency excursions in the island are within permissible limits, as indicated in Figure G.10.

The case studies indicate that if single DGs are allowed to operate as power islands or if interconnected DGs operate as Microgrids, the overall power quality and reliability would be remarkably enhanced. Therefore, it is high time that current standards are modified to accommodate DG operation and market reforms are made to encourage DG and Microgrid participation.

Bibliography

1980–1989

- Mead C. and Conway L., *Introduction to VLSI Systems*, Addison-Wesley Publishing Company, Reading, MA, 1980.
- Slemon G.R., 'Modelling Induction Machines for Electric Drives', *IEEE Transactions on Industry Application*, Vol. 25, Issue No. 6, pp. 1126–1131, November 1989.

1990–1999

- Skibinski G. and Divan D., 'Design Methodology and Modeling of Low Inductance Planar Bus Structures', European Conference on Power Electronics and Applications, Vol. 3, September 13–16, 1993.
- Redfern M.A., Usta O. and Fielding G., 'Protection Against Loss of Utility Grid Supply for a Dispersed Storage and Generation Unit', *IEEE Transactions on Power Delivery*, Vol. 8, Issue No. 3, pp. 948–954, 1993.
- Fishbein J., 'Integrated Power Packaging: Trends, Driving Forces, and Restraints', Proc. of Power Electronics in Transportation, October 20–21, 1994.
- Borowy B.S. and Salameh Z.M., 'Optimum Photovoltaic Array Size for a Hybrid Wind/PV System', *IEEE Transactions on Energy Conversion*, Vol. 9, Issue No. 3, pp. 482–488, September 1994.
- Russell M.C., 'Grid-Tied PV System Modelling: How and Why', Proc. of First WCPEC, Hawaii, December 5–9, 1994.
- Usher E. and Martel S., 'Avoided Cost Benefits of PV on Diesel-Electric Grids', Proc. of 24th IEEE Photovoltaic Specialties Conference, Vol. 1, pp. 1048–1051, 1994.
- IEEE Recommended Practice for Monitoring Electric Power Quality, IEEE Std. 1159–1995 (R2001), June 1995.
- Redfern M.A., Barrett J.I. and Usta O., 'A New Microprocessor Based Islanding Protection Algorithm for Dispersed Storage and Generation Units', *IEEE Transactions on Power Delivery*, Vol. 10, Issue No. 3, pp. 1249–1254, 1995.
- Anderson R., 'Select the Right Plastic Film Capacitors for Your Power Electronic Application', Proc. of IEEE Industrial Applications Society, San Diego, CA, October 7, 1996.

- U.S. Department of Energy, The Electric Power Outages in The Western United States, July 23, 1996. (DOE/PO-0050), August 1996 (www.energy.gov/library/index).
- Gow J.A. and Manning C.D., 'Development of a Model for Photovoltaic Arrays Suitable for Use in Simulation Studies of Solar Energy Conversion Systems', Proc. of 6th International Conference on Power Electronics and Variable Speed Drives, pp. 69–74, 1996.
- King D.L., Dudley J.K. and Boyson W.E., 'PVSIM: A Simulation Program for Photovoltaic Cells, Modules, and Arrays', Proc. of 25th PVSC, Washington, D.C., May 13–17, 1996.
- Beukes H., Enslin J. and Spee R., 'Busbar Design Considerations for High Power IGBT Converters', Proc. of Power Electronics Specialist Conference, Vol. 2, June 22–27, 1997.
- Patterson D. and Hennessy J., *Computer Organization & Design*, Morgan Kaufmann Publishers Inc., San Francisco, CA, 1997.
- Khouzam K., 'Prospect of Domestic Grid Connected PV Systems under Existing Tariff Conditions', Proc. of 26th IEEE PVSC, September 30–October 3, 1997.
- National Regulatory Research Institute, NRRI Reliability Survey (internal document), 1998 (www.nrri.ohio-state.edu).
- Kelley A., Harris M., Hartzell D. and Darcy D., 'Coordinated Interconnect: A Philosophical Change in the Design and Construction of Power Electronic Converters', IEEE Industry Applications Conference, Vol. 2, October 12–15, 1998.
- Hopkins D., Mathuna S., Alderman A. and Flannery J., 'A Framework for Developing Power Electronics Packaging', Proc. of the Applied Power Electronics Conference and Exposition, Vol. 1, February 15–19, 1998.
- CIGRE, 'Impact of Increasing Contribution of Dispersed Generation on the Power System', Final Report, Study Committee No. 37, 1998.
- Moore T., 'Emerging Markets for Distributed Resources', *EPRI Journal*, Vol. 23, Issue No. 2, pp. 8–17, 1998.
- Lasseter R.H., 'Control of Distributed Resources', Proc. of International Conference on Bulk Power Systems Dynamics and Control IV: Restructuring, Santorini, Greece, pp. 323–330, August 1998.
- Hall D.J. and Colclaser R.G., 'Transient Modeling and Simulation of Tubular Solid Oxide Fuel Cells', *IEEE Transactions on Energy Conversion*, Vol. 14, pp. 749–753, September 1999.
- Meinhardt M., Alderman A., Flannery J., Cheasty P., Eckert S. and Mathuna C., 'STATPEP—Current Status of Power Electronics Packaging for Power Supplies—Methodology', Applied Power Electronics Conference and Exposition, Vol. 1, March 14–18, 1999.
- IEEE Trial Use Guide for Electric Power Distribution Reliability Indices, IEEE Std. 1366–1998, April 1999.
- Neal Elliott R. and Mark Spurr M., 'Combined Heat and Power: Capturing Wasted Energy', ACEEE, May 1999 (www.aceee.org/pubs).

- Van Wyk J.D. and Lee F., 'Power Electronics Technology at the Dawn of the New Millennium—Status and Future', Power Electronics Specialists Conference, Vol. 1, June 27–July 1, 1999.
- Hudgins J., Mookken J., Beker B. and Dougal R., 'The New Paradigm in Power Electronics Design', IEEE Power Electronics and Drive Systems Conference, Vol. 1, July 27–29, 1999.
- Hadjsaid N., Canard J.F. and Dumas F., 'Dispersed Generation Impact on Distribution Networks', *IEEE Computer Applications in Power*, Vol. 12, Issue No. 2, pp. 22–28, 1999.
- Spee R. and Bhowmik S., 'Wind Turbines', *Encyclopedia of Electrical Engineering*, Wiley, New York, 1999.

2000

- Jenkins N., Allan R., Crossley P.A., Kirschen D. and Strbac G., 'Embedded Generation', IEE Power and Energy Series 31, The IEE, London, UK, 2000.
- Venkataramanan G., 'An Integrated Architectural Framework for Power Conversion Systems', IEEE International Workshop on Integrated Power Packaging, Waltham-Boston, MA, July 14–15, 2000.
- Lee F. and Peng D., 'Power Electronics Building Block and System Integration', Proc. of Power Electronics and Motion Control Conference, Vol. 1, August 15–18, 2000.
- Ericson T., 'Power Electronic Building Blocks—A Systematic Approach to Power Electronics', Proc. of IEEE Power Engineering Society Summer Meeting, Vol. 2, July 16–20, 2000.
- Kehl D. and Beihoff B., 'The Future of Electronic Packaging for Solid State Power Technology: The Transition of E-Packaging to Electromechanical Engineering', Proc. of IEEE Power Engineering Society Summer Meeting, Vol. 2, July 16–20, 2000.
- Jacobsen J. and Hopkins D., 'Optimally Selecting Packaging Technologies and Circuit Partitions Based on Cost and Performance', Proc. of the Applied Power Electronics Conference and Exposition, Vol. 1, February 6–10, 2000.
- Alderfer R., Brent M., Eldridge M. and Starrs T.J., 'Making Connections: Case Studies of Interconnection Barriers and their Impact on Distributed Power Projects', Golden, CO, National Renewable Energy Laboratory, May 2000 (www.eren.doe.gov/distributedpower/barriersreport).
- Edison Electric Institute, 'America's Electric Utilities: Committed to Reliable Service,' May 2000 (www.eei.org).
- Federal Energy Regulatory Commission, Staff Report to the Federal Energy Regulatory Commission on Western Markets and the Causes of the Summer 2000 Price Abnormalities, Part-1 of Staff Report on U.S. Bulk Power Markets, November 2000 (www.ferc.fed.us/electric/bulkpower).

- U.S. Department of Energy, Final Report of the US DOE Power Outage Study Team, March 2000 (www.energy.gov/library/index).
- Hurst E., 'Electric Reliability: Potential Problems and Possible Solutions', Edison Electric Institute, May 2000 (www.eei.org/issues/reliability).
- National Rural Electric Cooperative Association, White Paper on Distributed Generation, 2000 (www.nreca.org).
- North American Electric Reliability Council, 2000 Reliability Assessment: Reliability of the Bulk Electric Supply in North America, May 2000 (www.nerc.com/publications/annual).
- U.S. Department of Energy, Interim Report of the US DOE Power Outage Study Team, January 2000 (www.energy.gov/library/index).
- U.S. Department of Energy, Horizontal Market Power in Restructured Electricity Markets, March 2000 (www.energy.gov/library/index).
- North American Electric Reliability Council, Reliability Assessment: 1999–2008, May 2000 (www.nerc.com/publications/annual).
- Kirby B. and Kueck J., 'How Buildings Can Prosper by Interacting with Restructured Electricity Markets', ACEEE, ACEEE Summer Study on Energy Efficiency in Buildings, 2000 (www.ornl.gov/ORNL/BTC/Restructuring/pub.htm).
- Ericson T., 'Power Electronic Building Blocks—A Systematic Approach to Power Electronics', Proc. of IEEE Power Engineering Society Summer Meeting, Vol. 2, July 16–20, 2000.
- Kehl D. and Beihoff B., 'The Future of Electronic Packaging for Solid State Power Technology: The Transition of E-packaging to Electromechanical Engineering', Proc. of IEEE Power Engineering Society Summer Meeting, Vol. 2, July 16–20, 2000.
- Jacobsen J. and Hopkins D., 'Optimally Selecting Packaging Technologies and Circuit Partitions Based on Cost and Performance', Proc. of the Applied Power Electronics Conference and Exposition, Vol. 1, February 6–10, 2000.
- Li S., Tomsovic K. and Hiyama T., 'Load Following Functions Using Distributed Energy Resources', Proc. of IEEE/PES 2000 Summer Meeting, Seattle, WA, pp. 1756–1761, July 2000.
- Padulles J., Ault G.W. and McDonald J.R., 'An Approach to the Dynamic Modelling of Fuel Cell Characteristics for Distributed Generation Operation', Proc. of IEEE/PES Winter Meeting, Vol. 1, pp. 134–138, January 2000.
- Padulles J., Ault G.W. and McDonald J.R., 'An Integrated SOFC Plant Dynamic Model for Power Systems Simulation', *Journal of Power Source*, Vol. 86, pp. 495–500, March 2000.
- Kelber C.R. and Schumacher W., 'Adjustable Speed Constant Frequency Energy Generation with Doubly-Fed Induction Machines', Proc. of the European Conference on Variable Speed in Small Hydro, Grenoble, France, 2000.

2001

- Jinghong G., Celanovic I. and Borojevic D., 'Distributed Software Architecture of PEBB-Based Plug and Play Power Electronics Systems', Proc. of IEEE Applied Power Electronics Conference and Exposition, Vol. 2, March 4–8, 2001.
- Venkataramanan G., 'Integration of Distributed Technologies—Standard Power Electronic Interfaces', Report for California Energy Commission, Prepared by Power System Engineering Research Center-Wisconsin (PSERC), Wisconsin Power Electronics Research Center (WisPERC), September 2001.
- Harrison J. and Redford S., 'Domestic CHP: What are the Benefits?', EA Technology Report to the Energy Saving Trust, 2001.
- Cowart R., 'Efficient Reliability, The Critical Role of Demand Side Resources in Power Systems and Markets', the Regulatory Assistance Project, June 2001 (www.rapmaine.org/efficiency.html).
- Eriksen P., 'Economic and Environmental Dispatch of Power/CHP Production Systems', *Electric Power Systems Research*, Vol. 57, Issue No. 1, pp. 33–39, 2001.
- Lemar P.L., 'The Potential Impact of Policies to Promote Combined Heat and Power in US Industry', *Energy Policy*, Vol. 29, Issue No. 14, pp. 1243–1254, 2001.
- Chapman R.E., 'How Interoperability Saves Money', *ASHRAE Journal*, Atlanta, GA, Vol. 43, February 2001 (www.ashraejournal.org).
- Jinghong G., Celanovic I. and Borojevic D., 'Distributed Software Architecture of PEBB-Based Plug and Play Power Electronics Systems', Proc. of IEEE Applied Power Electronics Conference and Exposition, Vol. 2, March 4–8, 2001.
- Econnect, 'Assessment of Islanded Operation of Distribution Networks and Measures for Protection', ETSU K/EL/00235/REP, 2001.
- Campanari S., 'Thermodynamic Model and Parametric Analysis of a Tubular SOFC Module', *Journal of Power Sources*, Vol. 92, Issue No. 1–2, pp. 26–34, January 2001.
- Thorstensen B., 'A Parametric Study of Fuel Cell System Efficiency Under Full and Part Load Operations', *Journal of Power Sources*, Vol. 92, Issue No. 1–2, pp. 9–16, January 2001.
- Suter M., 'Active Filter for a Microturbine', Proc. of the IEEE Telecommunications Energy Conference, pp. 162–165, October 2001.
- Nagpal M., Moshref A., Morison G.K. and Kundur P., 'Experience with Testing and Modeling of Gas Turbines', Proc. of IEEE Power Engineering Society Winter Meeting, Vol. 2, pp. 652–656, February 2001.
- King W.L., Polinder H. and Slootweg J.G., 'Dynamic Modeling of a Wind Turbine with Doubly Fed Induction Generator', Proc. of IEEE Power Engineering Society Summer Meeting, Vancouver, Canada, July 2001.
- Hofmann W. and Okafor F., 'Doubly-Fed Full-Controlled Induction Wind Generator for Optimal Power Utilisation', Proc. of the PEDS'01, 2001.

2002

- Venkataramanan G., 'Integration of Distributed Technologies Standard Power Electronic Interfaces', Concept/Design Review Meeting Presentation, WEMPEC Annual Meeting, May 2002.
- Chen R., Canales F., Bo Y. and Van Wyk J.D., 'Volumetric Optimal Design of Passive Integrated Power Electronic Module (IPEM) for Distributed Power System (DPS) Front-end DC/DC Converter', Proc. of Industry Applications Conference, Vol. 3, October 13–18, 2002.
- Omrane B., Mariun N., Aris I.B., Bashi S.M. and Taib S., 'Expert System-Based Approach to Automate the Design Process of Power Electronics Converters', Proc. of Asia Pacific IEEE/PES Transmission and Distribution Conference and Exhibition, Vol. 3, October 6–10, 2002.
- Choudhury W. and Andrews S., 'Payment Mechanisms for Micro-Generation', Report Number: K/EL/0282/REP, URN 02/1146, Ilex Energy Consulting for DGCG, 2002.
- Crozier-Cole T. and Jones G., 'The Potential Market for Micro CHP in the UK Energy for Sustainable Development Ltd', for Energy Savings Trust report P00548, 2002.
- Department of Energy (DOE), 'National Transmission Grid Study', Washington, D.C., May 2002 (www.energy.gov).
- Venkataramanan G., Illindala M.S., Houle C. and Lasseter R.H., 'Hardware Development of a Laboratory-Scale Microgrid Phase 1: Single Inverter in Island Mode Operation', NREL Report No. SR-560-32527, Golden, CO, National Renewable Energy Laboratory, 2002 (www.nrel.gov).
- Edwards J., Marnay C., Bartholomew E., Ouaglal B., Siddiqui A. and Hamachi-LaCommare K., 'Assessment of μ Grid Distributed Energy Resource Potential Using DER-CAM and GIS', Berkeley, CA, Lawrence Berkeley National Laboratory Report LBNL-50132, 2002 (www.lbl.gov).
- Feero W., Dawson D. and Stevens J., 'White Paper on Protection Issues of the Microgrid Concept', CERTS, 2002 (<http://certs.lbl.gov>).
- Lasseter R., Akhil A., Marnay C., Stevens J., Dagle J., Guttromson R. *et al.*, 'White Paper on Integration of Distributed Energy Resources: The CERTS MicroGrid Concept', Berkeley, CA, Lawrence Berkeley National Laboratory Report LBNL-50829, 2002 (www.lbl.gov).
- Marnay C., Edwards J., Firestone R., Ghosh S., Siddiqui A. and Stadler M., 'Effects of a Carbon Tax on Combined Heat and Power Adoption by a Microgrid', Berkeley, CA, Lawrence Berkeley National Laboratory Report LBNL-51771, 2002 (www.lbl.gov).
- Bailey O., Ouaglal B., Bartholomew E., Marnay C. and Bourassa N., 'An Engineering—Economic Analysis of Combined Heat and Power Technologies in a μ Grid Application', Berkeley, CA, Ernest Orlando Lawrence Berkeley National Laboratory, March 2002 (www.lbl.gov).
- CHP Overview, United States Combined Heating and Power Association, 2002 (www.nemw.org/uschpa/AboutCHP.htm).

- Jimison J.W., 'Why State Regulators Should Promote Combined Heat & Power', U.S. Combined Heat and Power Association, A presentation to the NARUC, 2002 (www.naruc.org/Committees/ere/j_jimison.pdf).
- Lasseter R., Akhil A., Marnay C., Stevens J., Dagle J., Guttromson R. *et al.*, 'Integration of Distributed Energy Resources: The CERTS MicroGrid Concept', April 2002 (<http://certs.lbl.gov>).
- Zhu Y. and Tomsovic K., 'Development of Models for Analyzing the Load-following Performance of Microturbines and Fuel Cells', *Electric Power System Research*, Vol. 62, pp. 1–11, May 2002.
- Al-Hinani A. and Feliachi A., 'Dynamic Model of a Microturbine as a Distributed Generator', *Proc. of IEEE System Theory*, pp. 209–213, March 2002.
- Slootweg J.G., de Haan S.W.H., Polinder H. and King W.L., 'Aggregated Modeling of Wind Parks with Variable Speed Wind Turbines in Power System Dynamic Simulations', *Proc. of the 14th Power Systems Computation Conference*, Sevilla, 2002.
- Muller S., Deicke M. and De Doncker R.W., 'Doubly Fed Induction Generator Systems for Wind Turbines,' *IEEE Industry Applications Magazine*, Vol. 8, Issue No. 3, 26–33, May–June, 2002.
- Bathurst G.N., Weatherill J. and Strbac G., 'Trading Wind Generation in Short-Term Energy Markets', *IEEE Power Engineering Review*, Vol. 22, Issue No. 7, p. 54, July 2002.

2003

- Wang F., Rosado S. and Boroyevich D., 'Open Modular Power Electronics Building Blocks for Utility Power System Controller Applications', *Proc. of IEEE Power Electronics Specialist Conference*, Vol. 4, June 15–19, 2003.
- Beihoff B., 'Power Cell Concepts for the Next Generation of Appliances', *Proc. of IEEE International Electric Machines and Drives Conference*, Vol. 1, June 1–4, 2003.
- Mankikar M., 'Update—A Quarterly Newsletter for the Power Source Manufacturers Association', Third Quarter 2003 (www.pσμα.com).
- Markvart T. and Castañer L., *Practical Handbook of Photovoltaics: Fundamentals and Applications*, Elsevier, Oxford, 2003.
- Report of California Energy Commission on Integration of Distributed Energy Resources, 'The CERTS Microgrid Concept', CEC Consultant Report P500-03-089F, Sacramento, CA, California Energy Commission, October 2003.
- Bailey O., Charles C., Creighton R., Firestone M., Marnay C. and Stadler M., Report LBNL-52753, Berkeley, CA: Ernest Orlando Lawrence Berkeley National Laboratory, February, 2003 (www.lbl.gov).
- Gumerman E., Bharvirkar R., Hamachi LaCommare K. and Marnay C., 'Evaluation Framework and Tools for Distributed Energy Resources', LBNL-52079, Berkeley, CA, Berkeley Laboratory, February, 2003 (http://eetd.lbl.gov/ea/EMS/EMS_pubs.html/DER).

- Iannucci J.J., Cibulka L., Eyer J.M. and Pupp R.L., 'DER Benefits Analysis Studies', Final Report, NREL/SR-620-34636, Golden, CO, National Renewable Energy Laboratory, 2003 (www.nrel.gov).
- Lasseter R., Abbas A., Marnay C., Stevens J., Dagle J., Guttromson R. *et al.*, 'The CERTS Microgrid Concept', CEC Consultant Report P500-03-089F. Sacramento, CA, California Energy Commission, October 2003 (www.energy.ca.gov).
- National Renewable Energy Laboratory (NREL), 'Gas-Fired Distributed Energy Resource Characterizations', NREL/TP-620-34783, Golden, CO, National Renewable Energy Laboratory, November 2003 (www.nrel.gov).
- Union for the Co-ordination of Transmission of Electricity (UCTE), 'Interim Report of the Investigation Committee of the 28 September 2003 Blackout in Italy. Brussels, Belgium', UCTE, April 2003 (www.ucte.org).
- U.S.–Canada Power System Outage Task Force (OTF), 'Interim Report: Causes of the August 14th Blackout in the United States and Canada', U.S. Department of Energy, November 2003 (<https://reports.energy.gov>).
- Bailey O., Creighton C., Firestone R., Marnay C. and M. Stadler, 'Distributed Energy Resources in Practice: A Case Study Analysis and Validation of LBNL's Customer Adoption Model', Berkeley, CA, Lawrence Berkeley National Laboratory Report LBNL-52753, 2003 (www.lbl.gov).
- Goldstein L., Headman B., Knowles D., Freedman S.I., Woods R. and Schweizer T., 'Gas-Fired Distributed Energy Resource Technology Characterizations', Report NREL/TP-620-34783, Golden, CO, National Renewable Energy Laboratory, 2003 (www.nrel.gov).
- Wang F., Rosado S. and Boroyevich D., 'Open Modular Power Electronics Building Blocks for Utility Power System Controller Applications', Proc. of IEEE Power Electronics Specialist Conference, Vol. 4, June 15–19, 2003.
- Beihoff B., 'Power Cell Concepts for the Next Generation of Appliances', Proc. of IEEE International Electric Machines and Drives Conference, Vol. 1, June 1–4, 2003.
- Bertani A., Bossi C., Delfino B., Lewald N., Massucco S., Metten E. *et al.*, 'Electrical Energy Distribution Networks: Actual Situation and Perspectives for Distributed Generation', Proc. of CIRED, 17th International Conference on Electricity Distribution, Barcelona, Spain, May 2003.
- Nichols D.K. and Loving K.P., 'Assessment of Microturbine Generators', Proc. of IEEE PESGM, Vol. 4, pp. 2314–2315, July 2003.
- Jurado F. and Saenz J.R., 'Adaptive Control of a Fuel Cell-microturbine Hybrid Power Plant', *IEEE Transactions on Energy Conversion*, Vol. 18, Issue No. 2, pp. 342–347, June 2003.
- Staunton R.H. and Ozpineci B., 'Microturbine Power Conversion Technology Review', Oak Ridge National Laboratory, Oak Ridge, TN, April 2003.
- Mendez L., Narvarte L., Marsinach A.G., Izquierdo P., Carrasco L.M. and Eyras R., 'Centralized Stand Alone PV System in MicroGrid in Morocco', Proc. of 3rd World Conference on Photovoltaic Energy Conversion, Osaka, Japan, May 11–18, 2003.

- Tapia A., Tapia G., Ostolaza X. and Sanz J.R., 'Modelling and Control of a Wind Turbine Driven Doubly Fed Induction Generator', *IEEE Transactions on Energy Conversion*, Vol. 18, Issue No. 2, pp. 194–204, 2003.
- Song Y.H. and Wang Xi-Fan (Eds.), *Operation of Market-Oriented Power Systems*, Springer, London, 2003.
- Gatta F.M., Iliceto F., Lauria S. and Masato P., 'Modelling and Computer Simulation of in Dispersed Generation in Distribution Networks. Measures to Prevent Disconnection During System Disturbances', Proc. of IEEE Power Tech Conference, Bologna, Italy, 2003.

2004

- Flannery P., Venkataramanan G. and Shi B., 'Integration of Distributed Technologies—Standard Power Electronic Interfaces', Report for California Energy Commission, Prepared by Consortium for Reliability Technology Solutions (CERTS), Power System Engineering Research Center-Wisconsin (PSERC), Wisconsin Power Electronics Research Center (WisPERC), April 2004.
- 'The Role of Distributed Generation in Power Quality and Reliability', Final Report prepared for New York State Energy Research and Development Authority, Albany, NY, Prepared by Energy and Environmental Analysis, Inc., Arlington, VA and Pace Energy Project White Plains, NY, June 2004.
- Second Annual Report of the Distributed Generation Co-ordinating Group, DTI, March 2004 (www.distributed-generation.gov.uk).
- Firestone R. and Marnay C., 'Energy Manager Design for Microgrids', Berkeley Laboratory Report in Draft, Berkeley, CA, Ernest Orlando Lawrence Berkeley National Laboratory, 2004 (www.lbl.gov).
- Illindala M.S., Piagi P., Zhang H., Venkataramanan G. and Lasseter R.H., 'Hardware Development of a Laboratory-Scale Microgrid Phase 2: Operation and Control Two-Inverter Microgrid', NREL Report No. SR-560-35059, Golden, CO, National Renewable Energy Laboratory, 2004 (www.nrel.gov).
- Lasseter R.H. and Paigi P., 'Microgrid: A Conceptual Solution', Proc. of Power Electronics Specialists Conference (PESC), Aachen, Germany, Vol. 6, pp. 4285–4290, June 2004.
- Sedghisigarchi K. and Feliachi A., 'Dynamic and Transient Analysis of Power Distribution Systems with Fuel Cells—Part I: Fuel-Cell Dynamic Model', *IEEE Transactions on Energy Conversion*, Vol. 19, Issue No. 2, pp. 423–428, June 2004.
- Sedghisigarchi K. and Feliachi A., 'Dynamic and Transient Analysis of Power Distribution Systems with Fuel Cells—Part II: Control and Stability Enhancement', *IEEE Transactions on Energy Conversion*, Vol. 19, Issue No. 2, pp. 429–434, June 2004.

- Sakhare A.R., Davari A. and Feliachi A., 'Control of Solid Oxide Fuel Cell for Stand-Alone and Grid Connection Using Fuzzy Logic', Proc. of IEEE Thirty Sixth Southeastern Symposium, System Theory, pp. 551–555, 2004.
- Jurado F., Jose R. and Fernandez S.L., 'Modeling Fuel Cell Plants on the Distribution System Using Identification Algorithms', Proc. of IEEE Electrotechnical Conference, Melecon, Vol. 3, pp. 1003–1006, May 2004.
- Jurado F., Jose R. and Fernandez S.L., 'Development of the Solid Oxide Fuel Cell', *Energy Sources*, Vol. 26, Issue No. 2, pp. 177–188, February 2004.
- Miao Z., Choudhry M.A., Klein R.L. and Fan L., 'Study of a Fuel Cell Power Plant in Power Distribution System—Part I: Dynamic Model', Proc. of IEEE/PES General Meeting, Vol. 2, pp. 2220–2225, June 2004.
- Miao Z., Choudhry M.A., Klein R.L. and Fan L., 'Study of a Fuel Cell Power Plant in Power Distribution System—Part II: Stability Control', Proc. of IEEE/PES General Meeting, Vol. 2, pp. 1–6, June 2004.
- Mazumder S.K., Acharya K., Haynes C.L., Williams R., Jr., Spakovsky M.R., Nelson D.J. *et al.*, 'Solid-Oxide-Fuel-Cell Performance and Durability: Resolution of the Effects of Power-Conditioning Systems and Application Loads', *IEEE Transactions on Power Electronics*, Vol. 19, Issue No. 5, pp. 1263–1278, September 2004.
- Hatzargyriou N., Kariniotakis G., Jenkins N., Pecas Lopes J., Oyarzabal J., Kanellos F. *et al.*, 'Modelling of Microsources for Security Studies', Proc. of CIGRE Session, Paris, France, August–September 2004.
- Brenna M., Tironi E. and Ubezio G., 'Proposal of a Local dc Distribution Network with Distributed Energy Resources', Proc. of International Conference on Harmonics and Quality of Power, pp. 397–402, September 2004.
- Peirs J., Reynaerts D. and Verplaetsen F., 'A Microturbine for Electric Power Generation', *Sensors and Actuators, A*, Vol. 113, Issue No. 1, pp. 86–93, 2004.
- Ho J.C., Chua K.J. and Chou S.K., 'Performance Study of a Microturbine System for Cogeneration Application', *Renewable Energy*, Vol. 29, Issue No. 7, pp. 1121–1133, 2004.
- Bertani A., Bossi C., Fornari F., Massucco S., Spelta S. and Tivegna F., 'A Microturbine Generation System for Grid Connected and Islanding Operation', Proc. of IEEE PES Power Systems Conference and Exposition, Vol. 1, pp. 360–365, October 2004.
- Mihet-Popa L. and Blaabrierg F., 'Wind Turbine Generator Modeling and Simulation Where Rotational Speed is the Controlled Variable', *IEEE Transactions on Industry Applications*, Vol. 40, Issue No. 1, January/February 2004.
- Kumpulainen L. and Kauhaniemi K., 'Distributed Generation and Reclosing Coordination,' Proc. of Nordic Distribution and Asset Management Conference, NORDAC, Espoo, 2004.

2005

- Li Y.H., Choi S.S. and Rajakaruna, S., 'An Analysis of the Control and Operation of a Solid Oxide Fuel-Cell Power Plant in an Isolated System', *IEEE Transactions on Energy Conversion*, Vol. 20, Issue No. 2, pp. 381–387, June 2005.
- Econnect, 'Islanded Operation of Distribution Networks', DG/CG/00026/00/00, 2005.
- Guda S.R., Wang C. and Nehrir M.H., 'A Simulink-Based Microturbine Model for Distributed Generation Studies', Proc. of IEEE Power Symposium, pp. 269–274, October 2005.
- Wies R.W., Johnson R.A., Agrawal A.N. and Chubb T.J., 'Simulink Model for Economic Analysis and Environmental Impacts of a PV with Diesel-Battery System for Remote Villages', *IEEE Transactions on Power Systems*, Vol. 20, Issue No. 2, pp. 692–700, May 2005.
- Robitaille M., Agbossou K. and Doumbia M.L., 'Modeling of an Islanding Protection Method for a Hybrid Renewable Distributed Generator', Proc. of Electrical and Computer Engineering, Canada, pp. 1477–1481, 2005.

2006

- Yixiang S. and Ningsheng C., 'A General Mechanistic Model of Solid Oxide Fuel Cells', *Tsinghua Science and Technology*, Vol. 11, Issue No. 6, pp. 701–711, December 2006.
- Zhang X., Li J. and Feng Z., 'Development of Control Oriented Model for the Solid Oxide Fuel Cell', *Journal of Power Source*, Vol. 160, Issue No. 1, pp. 259–267, September 2006.
- Huo H.B., Zhu X.J. and Cao G.Y., 'Nonlinear Modeling of a SOFC Stack Based on a Least Squares Support Vector Machine', *Journal of Power Sources*, Vol. 162, Issue No. 2, pp. 1220–1225, November 2006.
- Goel A., Mishra S. and Jha A.N., 'Power Flow Control of a Solid Oxide Fuel-Cell for Grid Connected Operation', Proc. of International Conference on Power Electronics, Drives and Energy Systems, PEDES, pp. 1–5, 2006.
- Boccaletti C., Duni G., Fabbri G. and Santini E., 'Simulations Models of Fuel Cell Systems', Proc. of ICEM, Electrical Machines, Chania, Greece, September 2006.
- Esmaili R., Das D., Klapp D.A., Dernici O. and Nichols D.K., 'A Novel Power Conversion System for Distributed Energy Resources', Proc. of IEEE PES General Meeting, pp. 1–6, June 2006.
- Gaonkar D.N. and Patel R.N., 'Modeling and Simulation of Microturbine Based Distributed Generation System', Proc. of IEEE Power India Conference, April 2006.
- Gaonkar D.N., Patel R.N. and Pillai G.N., 'Dynamic Model of Microturbine Generation System for Grid Connected/Islanding Operation', Proc. of IEEE

- International Conference on Industrial Technology, pp. 305–310, December 2006.
- U.S. Department of Energy, Advanced Microturbine Systems, Program Plan for Fiscal Years 2000 through 2006.
- Bando S., Asano H., Tokumoto T., Tsukada T. and Ogata T., ‘Optimal Operation Planning of a Photovoltaic-Cogeneration-Battery Hybrid System’, Proc. of International Conference on Power System Technology, 2006.
- Nguyen D.D. and Lehman B., ‘Modeling and Simulation of Solar PV Arrays under Changing Illumination Conditions’, IEEE COMPEL Workshop, Rensselaer Polytechnic Institute, Troy, NY, July 16–19, 2006.
- Viawan F.A., Karlsson D., Sannino A. and Daalder J., ‘Protection Scheme for Meshed Distribution Systems with High Penetration of Distributed Generation’, Proc. of Power System Conference 2006: Advance Metering, Protection, Control, Communication and Distributed Resources, 2006.

2007

- Pecas Lopes J.A., Hatziargyriou N., Mutale J., Djapic P. and Jenkins N., ‘Integrating Distributed Generation into Electric Power Systems: A Review of Drivers, Challenges and Opportunities’, *Electric Power System Research*, Vol. 77, Issue No. 9, pp. 1189–1203, 2007.
- Ni M., Michael K.H.L. and Dennis Y.C.L., ‘Micro-scale Modelling of Solid Oxide Fuel Cells with Micro-structurally Graded Electrodes’, *Journal of Power Sources*, Vol. 168, Issue No. 2, pp. 369–378, June 2007.
- Wang G., Yang Y., Zhang H. and Xia W., ‘3-D Model of Thermo-fluid and Electrochemical for Planar SOFC’, *Journal of Power Sources*, Vol. 167, Issue No. 2, pp. 398–405, May 2007.
- Wu X.J., Zhu X.J., Cao G.Y. and Tu H.Y., ‘Modeling a SOFC Stack Based on GA-RBF Neural Networks Identification’, *Journal of Power Sources*, Vol. 167, Issue No. 1, pp. 145–150, May 2007.
- Zhu Y. and Tomsovic K., ‘Optimal Distribution Power Flow for Systems with Distributed Energy Resources’, *Electrical Power and Energy Systems*, Vol. 29, Issue No. 3, pp. 260–267, 2007.
- Phuangpornpitak N. and Kumar S., ‘PV Hybrid Systems for Rural Electrification in Thailand’, *Science Direct, Renewable and Sustainable Energy Reviews*, Vol. 11, Issue No. 7, pp. 1530–1543, 2007.
- Chenni R., Makhoulf M., Kerbache T. and, Bouzid A., ‘A Detailed Modeling Method for Photovoltaic Cells’, *Science Direct, Energy*, Vol. 32, Issue No. 9, pp. 1724–1730, 2007.
- Karatepe E., Boztepe M. and Colak M., ‘Development of a Suitable Model for Characterizing Photovoltaic Arrays with Shaded Solar Cells’, *Solar Energy*, Vol. 81, pp. 977–992, 2007.

- Saha A.K., Chowdhury S.P., Chowdhury S. and Song Y.H., 'Application of Solid-Oxide Fuel Cell in Distributed Power Generation', *IET Renewable Power Generation*, Vol. 1, Issue No. 4, pp. 193–202, December 2007.
- Saha A.K., Chowdhury S.P., Chowdhury S. and Song Y.H., 'Dynamic Model of PEM Fuel Cell with Fuzzy Logic Controller', Proc. of the 42nd International Universities Power Engineering Conference, Brighton, UK, September 4–6, 2007.
- Saha A.K., Chowdhury S.P., Chowdhury S. and Song Y.H., 'Software Simulation of PEM Fuel Cell System for Dynamic Performance Analysis', Proc. of the 42nd International Universities Power Engineering Conference, Brighton, UK, September 4–6, 2007.
- Chowdhury S., Chowdhury S.P., Saha A.K., Taylor G.A. and Song Y.H., 'Software Simulation and Performance Analysis of PV-Array in Embedded Environment', Proc. of the 42nd International Universities Power Engineering Conference, Brighton, UK, September 4–6, 2007.
- Basu A.K., Panigrahi T.K., Chowdhury S.P., Chowdhury S., Chakraborty N., Song Y.H. *et al.*, 'Key Energy Management Issues of Settling Market Clearing Price (MCP)', Proc. of the 42nd International Universities Power Engineering Conference, Brighton, UK, September 4–6, 2007.

2008

- Chowdhury S.P., Chowdhury S. and Crossley P.A., 'UK Scenario of Islanded Operation of Active Distribution Networks—A Survey', Proc. of IEEE Power Engineering Society General Meeting 2008, Pittsburgh, PA, July 20–24, 2008.
- Chowdhury S.P., Chowdhury S. and Crossley P.A., 'Islanding Protection of Distribution Systems with Distributed Generators—A Comprehensive Survey Report', Proc. of IEEE Power Engineering Society General Meeting 2008, Pittsburgh, PA, July 20–24, 2008.
- Chowdhury S., Chowdhury S.P., Taylor G.A. and Song Y.H., 'Mathematical Modelling and Performance Evaluation of a Stand-Alone Polycrystalline PV Plant with MPPT Facility', Proc. of Power Engineering Society General Meeting, Pittsburgh, PA, July 20–24, 2008.
- Saha A.K., Chowdhury S., Chowdhury S.P. and Crossley P.A., 'Modelling and Simulation of Microturbine in Islanded and Grid-Connected Mode as Distributed Energy Resource', Proc. of Power Engineering Society General Meeting, Pittsburgh, PA, July 20–24, 2008.
- Das M.K., Chowdhury S.P., Chowdhury S. and Domijan A., 'Dynamic Modelling and Performance Analysis of a DFIG Wind Energy Conversion System', Proc. of Power Engineering Society General Meeting, Pittsburgh, PA, July 20–24, 2008.
- Chowdhury S.P., Chowdhury S., Ten C.F. and Crossley P.A., 'Operation and Control of DG Based Power Island in Smartgrid Environment', Proc. of

CIREC Seminar 2008, Smartgrids for Distribution, Frankfurt, Germany, June 23–24, 2008.

Saha A.K., Chowdhury S.P., Chowdhury S. and Crossley P.A., ‘Microturbine Based Distributed Generator in Smart Grid Application’, Proc. of Power Engineering Society General Meeting, Pittsburgh, PA, July 20–24, 2008.

Chowdhury S.P., Chowdhury S., Ten C.F. and Crossley P.A., ‘Islanding Operation of Distributed Generators in Active Distribution Networks’, Proc. of the 43rd International Universities Power Engineering Conference, Padova, Italy, September 1–4, 2008.

Saha A.K., Chowdhury S.P., Chowdhury S. and Crossley P.A., ‘Study of Microturbine Models in Islanded and Grid-Connected Mode’, Proc. of the 43rd International Universities Power Engineering Conference, Padova, Italy, September 1–4, 2008.

Websites

Panint Electronic Limited, Website: www.panint.com

Semikron, Website: www.semikron.com

Infineon Technologies, Website: www.infineon.com

International Rectifier, Website: www.irf.com

Office of Naval Research Advance Electrical Power Systems PEBB, Website: <https://aeps.onr.navy.mil>

Planar Magnetics Ltd., Website: www.planarmagnetics.com

Payton Group International, Website: www.paytongroup.com

Bussco, A division of Circuit Components LLC, Website: www.bussco.com

Eldre Corporation, Website: www.busbar.com

MiniCircuits, Website: www.minicircuits.com

Assessing Product Reliability, handbook by NIST, Website: www.itl.nist.gov/div898/handbook

Switch reliability report, International Rectifier, Website: www.irf.com/productinfo/reliability

William J. Vigrass, ‘Calculation of semiconductor failure rates’, Website: http://rel.intersil.com/docs/rel/calculation_of_semiconductor_failure_rates.pdf

www.weibull.com/LifeDataWeb/a_brief_introduction_to_reliability.htm

Aluminum-Electrolytic Capacitor Application Guide, Website: www.cornell-dubilier.com/appguide.pdf

www.r-theta.com/products/aquasink/aquasink.pdf

Distributed Generation Coordination Group, Website: www.distributed-generation.org.uk

Charging Principles DTI/OFGEM Embedded Generation Working Group WP4, Website: www.distributed-generation.org.uk

Options for Domestic and Other Micro-Scale Generation DTI/OFGEM Embedded Generation Working Group WP5, Website: www.distributed-generation.org.uk

- Industry data, Website: www.ibiblio.org/pub/academic/environment/alternative-energy/energyresources
- Future Network Design, Management and Business Environment Generation DTI/OFGEM Embedded Generation Working Group WP7, Website: www.distributed-generation.org.uk
- Tyndall Centre Technical Reports, Website: www.tyndall.ac.uk/publications/tech_reports
- Douglas Decker, 'Federal Government: Building Management Systems/Utility Monitoring and Control Systems' Johnson Controls, Website: www.johnsoncontrols.com/cg-gov/art-utilitydereg.html
- Heller Jim, 'Load Shifting with Thermal Energy Storage', Navy ENews 95b, Naval Facilities Engineering Service Center, Website: www.nfesc.navy.mil
- Douglas Hinrichs D., Ray McGowan R. and Susan Conbere S., 'Integrated CHP Offers Efficiency Gains to Buildings Market', D&R International Distributed Energy Resources Team, September 2001, Energy User News, 9/27/01, Website: www.energyusernews.com

Index

- abc-dq and dq-abc conversion, in
 - d-q model of DFIG 197–198
- absorption chillers 38
- active and reactive power control 62
- active distribution network 2–3
- actuators in PLC 114
- affiliate power pools 160
- AGC: *see* automatic generation controllers (AGC)
- AI: *see* artificial intelligence (AI)
- alternator 21
 - parameters, of MTG system model 181
- amorphous silicon 30
- ancillary services 48, 60–61, 171–172
 - backup supply 50
 - frequency responsive spinning reserve 49–50
 - load following 50–51
 - network stability 51
 - reactive power and voltage control 49
 - regulation 50
 - supplemental reserve 50
 - system black start 51
- anti-islanding 52
 - protection, microsources 89
 - see also* microsources
- artificial intelligence (AI) 68
- aspect ratio
 - in BBS framework 105
- ATC: *see* available transfer capability (ATC)
- ATS: *see* automatic transfer switch (ATS)
- automatic generation controllers (AGC) 50
- automatic transfer switch (ATS) 133, 137
- auxiliary utility brick 103
- available transfer capability (ATC) 164
- axes transformation, d-q model of DFIG 195–198
- backfeed voltages 91–92
- backup devices 86
- backup supply, ancillary services 50
- battery energy storage system, in UPS 136
- bay LAN
 - interoperability amongst clients and servers 121
 - interoperability amongst existing control systems and 121–122
- BBS framework: *see* bricks-buses-software (BBS) framework
- BCCHP system: *see* building combined cooling, heating and power (BCCHP) system
- bidding procedure, for MCP 240–241
- Bilateral Contracts Model
 - for energy market 159
- black start: *see* system black start
- bricks, as modular components 101–103
 - control brick 102
 - power switching brick 101–102
 - sensor brick 102–103

- transformer brick 102
- voltage stiffening brick 102
- bricks-buses-software (BBS)
 - framework 100–105
 - bricks as modular components 101–103
 - buses as connective links 103–104
 - high-level computer aided design (CAD) environment in 104–105
 - issues related to 105–106
- broker, PX and 162
- building combined cooling, heating and power (BCCHP) system 36
- buses, as connective links 103–104
- bypass circuit, in UPS 136

- CAD translation engine 104–105
- CAISO: *see* California Independent System Operator (CAISO)
- California Independent System Operator (CAISO) 53
- capacity benefit margin (CBM) 164
- carbon capture and storage (CCS) technology 9, 36, 146
- CB: *see* circuit breakers (CB)
- CBM: *see* capacity benefit margin (CBM)
- CC: *see* central controller (CC)
- CCGT: *see* combined cycle gas turbine (CCGT)
- CCS technology: *see* carbon capture and storage (CCS) technology
- central controller (CC) 6, 57, 65
 - control strategies for: *see* control strategies, for CC design
 - EMM: *see* Energy Manager Module (EMM)
 - information required for: *see* information, required for CC operation
 - PCM: *see* Protection Co-ordination Module (PCM)
- CHP systems: *see* combined heat and power (CHP) systems
- CIGRE: *see* International Conference on Large High Voltage Electrical Systems (CIGRE)
- circuit breakers (CB) 52, 69
- CIRED: *see* International Conference of Electricity Distribution Networks (CIRED)
- CMD file: *see* converter manufacturing data (CMD) file
- co-generator, PX and 163
- coefficient of performance (COP) 40
- combined cycle gas turbine (CCGT) 147
- combined heat and power (CHP) 58
 - EMM and 67
- combined heat and power (CHP) systems 1, 16, 125, 139
 - micro: *see* micro-CHP systems
 - microgrid economics and 147–148
- communication architecture, of SCADA systems 119
- communication devices 119–120
- communication infrastructure, of SCADA systems 115–116
- communication trends, in SCADA 116–117
- component packaging, in power converters 99–100
- congestion management 167–170
 - congestion pricing 169
 - FERC guidelines for 168–169
 - management of inter-zonal and intra-zonal congestions 170
 - transmission rights 169
- congestion pricing 169
- congestion, defined 167
- connection charges, in UK 150
- continuous-process manufacturing systems 131

- contract path method
 - to determined transmission price 167
- control brick 102
- control bus 104
- control strategies, for CC design
 - decentralised and hierarchical 76
 - expert systems 75–76
 - real-time optimisation 74–75
- controller model, MTG system 178
- converter manufacturing data (CMD) file 104–105
- COP: *see* coefficient of performance (COP)
- cost considerations, microgrid 42–43
- costs of out-of-merit dispatch 169
- C_p : *see* power coefficient (C_p)
- critical demand, load demands for microgrid 73
- CT: *see* current transformer (CT)
- current transformer (CT) 93
- curtailable demand, load demands for microgrid 73
- custom design and manufacturing, of power converters 99

- d–q model, DFIG 195
 - abc-dq and dq-abc conversion 197–198
 - axes transformation 195–198
 - unit vector calculation 197
 - zero- n conversion 197
- Data Link Layer 119
- Data Processing Gateway (DPG) 53
- database management system (DBMS) 111, 112
- day-ahead market 163–164
- DBMS: *see* database management system (DBMS)
- DCS: *see* distributed control system (DCS)
- decentralised control strategy 76
- demand and supply
 - joint optimisation of 148
- demand side management,
 - microsources protection 89–90
- Department of Energy (DOE) 42
- Department of Trade and Industry (DTI) 3
- DER: *see* distributed energy resources (DER)
- DES: *see* district energy system (DES)
- desiccant dehumidifier 38–39
- DFIG model 195–198
 - axes transformation 195–198
 - d–q model 195
 - abc-dq and dq-abc conversion 197–198
 - axes transformation 195–198
 - unit vector calculation 197
 - zero- n conversion 197
- DFIG WECS: *see* DFIG wind energy conversion system (WECS)
- DFIG wind energy conversion system (WECS), dynamical model 191–199
 - case study 199
 - DFIG model 195–198
 - axes transformation 195–198
 - d–q model 195
 - gear model 193–194
 - objectives of methodology used for 192
 - wind velocity model 192–193
- DG: *see* distributed generation (DG) system
- DG integration
 - impact on power quality 136–142
 - issues of premium power in 142–143
 - schemes 137–142
 - DG with intermittent solar PV within power quality environment 139
 - DG with intermittent wind generator within power quality environment 140–141

- primary DG system with power quality support to priority loads 139
- secondary DG system with power quality support 138–139
- simple standby generation scheme 137
- soft grid-connected DG with power quality support to priority loads 139
- ultra-high reliability scheme using dual link DC bus 141–142
- DG system: *see* distributed generation (DG) system
- DIgSILENT 253
- distributed control system (DCS) 112, 117
- distributed energy resources (DER) 1, 15, 86, 145
 - CHP systems: *see* combined heat and power (CHP) systems
 - impact of dispersed 88
 - microgrid economics and 146–147
 - participation in comprehensive power market 174
 - participation in retail market power trading 173
 - PV systems: *see* solar photovoltaic (PV) systems
 - role of aggregators 172–174
 - small-scale hydroelectric power generation 32
 - storage devices 33
 - WECS: *see* wind energy conversion systems (WECS)
- distributed generation (DG) system 1
 - case studies 255–264
 - voltage and frequency at 11 kV DG bus 256–257, 259–263
 - current technical recommendations 252
 - integration of 2
 - with UPS 142–143
 - overview 251–253
 - penetration 251–252
 - potential services provided by 125–126
 - power quality support
 - and secondary 138–139
 - to priority loads and primary 139
 - to priority loads and soft grid-connected 139
 - system configuration 253–255
 - with intermittent wind generator within power quality environment 140–141
- distributed generation co-ordination group (DGCG), in UK 149
 - connection charges and role of 150–151
 - regulatory issues and regulation activities 152
- distribution network operators (DNO) 109
 - revenue of, in UK 151–152
 - role in verification of distribution system operation reliability 173–174
- distribution network operators (DNOs) 3
- distribution system fault protection
 - low voltage fault clearing 86–87
 - MV system protection 84–86
- distribution system relationship, microgrid economics 146
- distribution system, impact of microgrid on 47, 51–52
 - ancillary services 48
 - backup supply 50
 - frequency responsive spinning reserve 49–50
 - load following 50–51
 - network stability 51
 - reactive power and voltage control 49

- regulation 50
- supplemental reserve 50
- system black start 51
- district energy system (DES) 37
- DNO: *see* distribution network operators (DNO)
- DNO SCADA systems
 - control of 110–111
 - existing 109–110
- DOE: *see* Department of Energy (DOE)
- domestic process control system 58–59
- double diode model of
 - polycrystalline PV cells 228–229
 - parameters calculation 229
- double-side bid market, for MCP 243–244
 - case study (linear supply bid with linear demand bid) 247–249
- DPG: *see* Data Processing Gateway
- DRAM: *see* dynamic read write memory (DRAM)
- droop controllers, V-Q 63
- DTI: *see* Department of Trade and Industry (DTI)
- DVR: *see* dynamic voltage restorer (DVR)
- dynamic read write memory (DRAM) 114
- dynamic voltage restorer (DVR) 134
- electrical noise 130
- Electricity Safety, Quality and Continuity Regulations (ESQCR) 252
- electromagnetic interference (EMI)
 - BBS framework 106
 - effects on telecommunication processes 130
- electronic sag protectors 81
- EMI: *see* electromagnetic interference (EMI)
- EMM: *see* energy management module (EMM); Energy Manager Module (EMM)
- endothermic reaction 23
- energy management module (EMM) 7
- Energy manager module (EMM) 57
 - CHP and 67
 - energy optimisation 67
 - energy storage management 67
 - frequency regulation 66
 - grid-connected mode 66–67
 - optional control functions 68
 - power factor control 66
 - prime mover speed control 66
 - stand-alone mode 67
 - voltage control 65
- energy market
 - day-ahead and hour-ahead 163–164
 - elastic and inelastic 164
 - restructuring models for 158–160
 - Bilateral Contracts Model 159
 - Hybrid Model 159
 - PoolCo Model 158
- energy market competition, role of
 - Microgrid in 170–174
 - ancillary services 171–172
 - retail wheeling 170–171
 - role of aggregators 172–174
- energy market, impacts of
 - microgrid on
 - gas market 44–45
 - market reforms 45
 - possibilities in electricity market 43–44
- energy storage 59
- environment, impact of microgrid on
 - pollutant deposition, minimisation of 46–47
- EPROM: *see* erasable programmable read-only memory (EPROM)

- equivalent circuit, of PV array
 - connected to DC-AC inverter 229
 - flow chart for calculation of 230
- erasable programmable read-only memory (EPROM) 114
- ESQCR: *see* Electricity Safety, Quality and Continuity Regulations (ESQCR)
- ethernet TCP/IP-based SCADA systems 116-117
- expert systems 75-76
- exporting Microgrids, separation of 83-84

- fast load tracking, storage
 - requirement for 64
- Federal Energy Regulatory Commission (FERC) 158
 - guidelines for congestion management 168-169
- feeders
 - ground relaying for 93
 - radial 6
 - unbalanced loads 93
- FERC: *see* Federal Energy Regulatory Commission (FERC)
- FLC: *see* fuzzy logic controller (FLC)
- flicker 130
- flywheel generators 59
- frequency regulation, EMM 66
- frequency responsive spinning
 - reserve 49-50
 - ancillary services 49-50
- fuel cells 21
 - advantages of 22
 - construction of 22
 - flows and reactions in 23
 - MCFC 25
 - PAFC 24-25
 - PEMFC 24
 - SOFC 25-26
- fuses, in UPS 135
- fuzzy logic controller (FLC), in PEMFC 207-211, 211-213
 - case study 211-213
 - fuzzy rule base 210-211
- fuzzy logic systems 75-76
- fuzzy membership function 210
- fuzzy rule base, in PEMFC 210-211

- GAST turbine model, MTG system 178-179
- gateways, communication
 - impact of microgrid on 52-53
- gear model, DFIG WECS 193-194
- generator bidders, Microgrid system
 - linear bid data 248
 - parameters 245
 - payments and output at different MCP 249
 - types of 239-240
- generator electrical power, MTG system 183, 184, 185, 188, 189
- generator load, MTG
 - vs.* operating parameters 190
- generator voltage, MTG system 186
- Generic Object-Oriented Sub-station Event (GOOSE) 121
- Generic Sub-station Event (GSE) 121
- Generic Sub-station Status Event (GSSE) 121
- GHG: *see* greenhouse gas (GHG)
- GOOSE: *see* Generic Object-Oriented Sub-station Event (GOOSE)
- greenhouse gas (GHG) 36
- grid parameters, of MTG system
 - model 181
- grid power, MTG system 187, 188, 189
- grid-connected mode 6, 66-67
 - functions of CC in 8
 - protection scheme for 69-70
- grid-connected mode, MTG system 184-190
 - case 1 184-187

- case 2 187–188
- case 3 189–190
- grounding transformers 94
- GSE: *see* Generic Sub-station Event (GSE)
- GSSE: *see* Generic Sub-station Status Event (GSSE)

- H₂–O₂ pressure difference
 - SOFC system 224
- hardware components, of SCADA systems 112–116
 - communication infrastructure 115–116
 - master station and HMI computers 115
 - PLC 114–115
 - RTU 113
- harmonic distortion 128–129
- heat and electric power supply
 - joint optimisation of 147–148
- heat utilisation, impact of
 - microgrid on
 - absorption chillers 38
 - desiccant dehumidifier 38–39
 - supply of thermal energy 36–38
 - TES 39
- heat ventilation air conditioning (HVAC) 35
 - impact of microgrid on optimisation 39–41
- Herfindahl–Hirschman Index (HHI), for market power 165–166
- heterogeneous service, CC
 - operations
 - critical demand 73
 - curtailable demand 73
 - reschedulable demand 74
- heterojunction (HJ) solar cells 30–31
- hierarchical control strategy 76
- high-rating power converters 99
- HJ solar cells: *see* heterojunction (HJ) solar cells

- HMI: *see* human–machine interface (HMI)
- HMI computers
 - for SCADA system 115
- HMI/SCADA systems 112
- horizontal market power 165–166
- hour-ahead markets 163–164
- hub 119
- human–machine interface (HMI) 112
- HVAC: *see* heat ventilation air conditioning (HVAC)
- Hybrid Model for energy market 159–160
- hydrogen flow
 - FLC 213
 - PI controller 210
 - SOFC system 223

- IC engines: *see* internal combustion (IC) engines
- IEC 61850 specification, for IED 121–122
- IEC TC 57 (International Electrotechnical Committee (IEC) Technical Committee (TC)) 118
- IED: *see* intelligent electronic devices (IED)
- IGBT: *see* insulated gate bipolar transistors (IGBT)
- IMDS: *see* Information Monitoring and Diagnostic System (IMDS)
- Independent Power Producer (IPP) 37
- independent system operator (ISO) 52, 160–162
 - background of 160–161
 - congestion management and 170
 - role of 161–162
- industrial customer, PX and 163
- Information Monitoring and Diagnostic System (IMDS) 40

- information, required for CC
 - operation
 - heterogeneous service 73–74
 - load forecasts 72
 - microsource performance and monitoring 72
 - price 71–72
 - regulatory 71–72
 - tariff 71–72
 - weather forecasting 72
- input/output bricks 103
- insulated gate bipolar transistors (IGBT) 99
- integrated power modules (IPM)
 - in power converters 99–100
- intelligent electronic devices (IED)
 - 118–119
 - IEC 61850 specification for 121–122
- interchangeability
 - in clients and servers 122
- internal combustion (IC) engines 17
- internal resistance (R_{inar}),
 - calculation of
 - in PV array modelling 231–232
- International Conference of Electricity Distribution Networks (CIRED) 1
- International Conference on Large High Voltage Electrical Systems (CIGRE) 1
- International Electrotechnical Committee (IEC) standards
 - for PLC 114–115
- interoperability
 - amongst clients and servers 121
 - and interchangeability in clients and servers 122
 - in control systems and bay LAN 121–122
- inverter AC power output
 - FLC 211
 - PI controller 209
 - SOFC system 225
- inverter AC voltage
 - FLC 212
 - PI controller 208
 - SOFC system 225
- inverter AC voltage phase angle
 - FLC 213
 - PI controller 209
 - SOFC system 226
- inverter modulation index
 - FLC 212
 - PI controller 208
- inverter reactive power
 - SOFC system 226
- inverter, in UPS 135
- IPM: *see* integrated power modules (IPM)
- IPP: *see* Independent Power Producer (IPP)
- islanding 79
 - exporting Microgrids, separation of 83–84
 - non-fault conditions, separation in 82–83
 - re-synchronisation 84
 - separation, from faulted feeder 80–81
 - spurious separations 81–82
- ISO: *see* independent system operator (ISO)
- isolation transformer 134
- joint optimisation
 - of demand and supply 148
 - of heat and electric power supply 147–148
- linear programming (LP) 74
- LMP: *see* locational marginal price (LMP)
- load aggregator, PX and 163
- load demands, for microgrid
 - critical demand 73
 - curtailable demand 73
 - reschedulable demand 74

- load following, ancillary services
 - 50–51
- load forecasts, information required
 - for CC operation 72
- load sharing, through P-f control
 - 64–65
- load shedding, microsourses
 - protection 89–90
- load shifting, regulation and
 - 59–60
- load, on MTG system 182
- load-shedding scheme, PV cells
 - modelling 237–238
- locational marginal price (LMP)
 - 168, 169
- LOG: *see* loss of grid (LOG)
- logical node (LN), defined 120–121
- loose power pools 160
- loss of grid (LOG) 7
- low voltage (LV) 2, 52
 - fault clearing requirements 86–87
- LP: *see* linear programming (LP)
- LV: *see* low voltage (LV)

- machine vision (MV) systems
 - in PLC 114
- management system
 - CC: *see* central controller (CC)
 - MC: *see* microsource controllers (MCs)
 - network management needs:
 - see* network management, needs of microgrid
- manual transfer switch 133
- market clearing price (MCP) 163
 - bidder payments and output for
 - different 249
 - bidding procedure for 240–241
 - case study 244–249
 - linear supply bid with fixed demand 244–247
 - linear supply bid with linear demand bid 247–249
 - formulation of 241–244
 - double-side bid market 243–244
 - single-side bid market 242–243
 - impacts on electricity market
 - 249–250
 - rules of 241
- market power 164–166
 - horizontal 165–166
 - vertical 165
- market structure, proposed
 - for Microgrid participation
 - 239–240
- marketer, PX and 162
- master station
 - of Microgrid SCADA 115
- MATLAB model, for MTG system
 - 180
- MATLAB Simulink
 - polycrystalline PV array
 - 228, 229
- maximum power point tracking
 - (MPPT) systems 29, 227–228
- MCFC: *see* molten carbonate fuel cell (MCFC)
- MCP: *see* market clearing price (MCP)
- MCs: *see* microsource controllers (MCs)
- media 120
- medium voltage (MV) 6, 52, 80
 - system protection 84–86
- micro-CHP
 - market potential issues for,
 - in UK 152
- micro-CHP systems 16
 - fuel cells: *see* fuel cells
 - IC engines 17
 - microturbine
 - features of 19–20
 - parts of 21
 - single-shaft 19
 - split-shaft 20
 - stirling engines 17–18
- microgeneration, UK scenario
 - 149–152
 - connection charges 150–151

- important economic issues 151
- market potential issues for
 - micro-CHP 152
- revenue of distribution network operators 151–152
- technologies, economic perspectives 152–153
- Microgrid economics
 - emerging issues in 148
 - issues in relationship with utility grid 149
 - main issues of 145–146
 - traditional power system
 - economics 146–148
 - demand and supply, joint optimisation 148
 - heat and electric power supply, joint optimisation 147–148
 - UK scenario 149–155
 - future developments 154–155
 - microgeneration 149–152
 - microgeneration technologies, economic perspectives 152–153
 - potential benefits 153–154
 - regulatory issues and regulation activities 152
- Microgrid participation
 - proposed market structure for 239–240
- Microgrids
 - advantages of 8–10
 - CC and 7–8
 - configuration of 4–8
 - definition of 3
 - disadvantages of 10–11
 - dynamic impacts on main grid 11–12
 - grid-connected mode 6
 - interconnection of 8
 - management and operational issues 11
 - MC and 6–7
 - stand-alone mode 6
- microsource
 - generation control 58
 - performance and monitoring of 72
- microsource controllers (MCs) 6–7, 57, 61
 - active and reactive power control 62
 - basic scheme for 62
 - load sharing through P-f control 64–65
 - storage requirement for fast load tracking 64
 - voltage control 63–64
- microsources, protection of
 - anti-islanding 89
 - ground relaying for 93
 - load shedding and demand side management 89–90
 - modification of voltage and frequency windows 88
- microturbine
 - features of 19–20
 - parts of 21
 - single-shaft 19
 - split-shaft 20
- microturbine (MT) model 177–178, 181
 - block diagram for 178
- microturbine-generator (MTG)
 - system model
 - assumptions for 177
 - case studies 179–190
 - grid-connected mode 184–190
 - stand-alone mode 182–184
 - description 177–179
 - generator load vs. operating parameters 190
 - load on 182
 - MATLAB model 180
 - parameters 179, 181
 - performance 190
 - system configuration block diagram 179
- mission critical computer systems 131

- Modicon Modbus 116
- modularity
 - of BBS framework 105
- molten carbonate fuel cell (MCFC) 25
- monocrystalline silicon 30
- motor–alternator sets 134
- MPPT systems: *see* maximum power point tracking (MPPT) systems
- MT mechanical power 182, 185, 187, 189
- MT model: *see* microturbine (MT) model
- MTG speed 182, 183, 184, 186
- MTG system model: *see* microturbine-generator (MTG) system model
- multicrystalline silicon 30
- MV: *see* medium voltage (MV)
- MV systems: *see* machine vision (MV) systems
- MW-mile method
 - to determined transmission price 167

- National Education Research and Evaluation Center (NEREC) 164
- National Electric Code (NEC) 84
 - requirements for distribution transformer protection 90
- NEC: *see* National Electric Code (NEC)
- NEREC: *see* National Education Research and Evaluation Center (NEREC)
- network management, needs of
 - Microgrid
 - ancillary services 60–61
 - domestic process control system 58–59
 - energy storage 59
 - microsource generation control 58
 - regulation and load shifting 59–60
 - network stability, ancillary services 51
 - neutral grounding system
 - backfeed voltages and surge arrester ratings 91–92
 - choice of 94
 - ground relaying for feeders 93
 - ground relays co-ordination 92–93
 - LV fault current and 93
 - need for grounding transformers 94
 - unbalanced feeder loads 93
- NFFO: *see* Non-Fossil Fuel Obligation (NFFO)
- NLP: *see* non-linear programming (NLP)
- non-ADS: *see* non-automated dispatch system (non-ADS)
- non-automated dispatch system (non-ADS) 53
- non-fault conditions, separation in 82–83
- Non-Fossil Fuel Obligation (NFFO) 33
- non-linear programming (NLP) 74

- OASIS: *see* Open Access Same-Time Information System (OASIS)
- Office of Gas and Electricity Markets (Ofgem) 3, 109, 150
- Ofgem: *see* Office of Gas and Electricity Markets (Ofgem)
- Open Access Same-Time Information System (OASIS) 158
- open phases 83
- optimal technology investment, Microgrid economics 145–146
- out-of-merit dispatch, costs of 169
- outages 128
- over-voltages conditions 127–128

- P-f: *see* power-frequency (P-f)
- P-f control: *see* power-frequency (P-f) control
- packaging framework design, of power converters 100
- PAFC: *see* phosphoric acid fuel cell (PAFC)
- parasitic inductance in BBS framework 106
- PCC: *see* point of common coupling (PCC)
- PCM: *see* Protection Co-ordination Module (PCM)
- PCU: *see* power-conditioning unit (PCU)
- PEBB: *see* power electronic building blocks (PEBB)
- PEIs: *see* power electronic interfaces (PEIs)
- PEMFC: *see* proton exchange membrane fuel cell (PEMFC)
- penstock 32
- permanent magnet synchronous generator (PMSG) 20
- phosphoric acid fuel cell (PAFC) 24–25
- photodiode 29
- photofinishing laboratories, large 131
- photovoltaic (PV) cells 29
 - hybrid 30–31
 - monocrystalline silicon 30
 - multicrystalline silicon 30
 - thin-film silicon 30
 - see also* photovoltaic (PV) cells, modelling of
- photovoltaic (PV) cells, modelling of 227–228
 - case studies and results 232–238
 - double diode model of polycrystalline 228–229
 - modelling of load-shedding scheme 237–238
 - modelling of PV array 229–232
 - MPPT feature 227–228
- PI controller, PEMFC model 205–207
- PID control: *see* proportional-integral-derivative (PID) control
- pitch-regulated turbines 27, 28
- PLC: *see* programmable logic controllers (PLC)
- PMSG: *see* permanent magnet synchronous generator (PMSG)
- point of common coupling (PCC) 6, 77, 179
- polycrystalline PV cell
 - double diode model of 228–229
- polygeneration 16
- PoolCo Model
 - for energy market 158–159
- potential transformer (PT) 93
- power and voltage control strategy, SOFC model 220
- power bus 103
- power coefficient (C_p) 27
- power control
 - active and reactive 62
- power converter
 - custom design and manufacturing 99
 - IPM and component packaging 99–100
 - packaging framework design 100
 - PEBB approach 100
- power cost, considerations 42
- power electronic building blocks (PEBB) 100
- power electronic interfaces (PEIs) 4
- power exchange (PX) 162–163
- power factor control 66
- power limitation strategy 28
- power market: *see* energy market
- power module integration, power converters 99–100

- power optimisation strategy 28
- power pools, types 160
- power quality 41–42
 - existing improvement technologies
 - for 132–136
 - alternative power supply technologies 133
 - power-conditioning technologies 133–136
 - impact of DG integration 136–142
 - main elements require for 137
 - sensitive customers and 130–131
- power quality disturbances 126–130
 - electrical noise 130
 - flicker 130
 - harmonic distortion 128–129
 - outages 128
 - over-voltages and under-voltages 127–128
 - transients 127
 - voltage notching 129
 - voltage sags and swells 127
- power quality environment
 - DG with intermittent solar PV within 139
 - DG with intermittent wind generator within 140–141
- power quality support
 - primary DG system with, priority loads 139
 - secondary DG system with 138–139
 - soft grid-connected DG with, power quality support 139
- power supply technologies
 - for customer service 133
- power switching bricks, of power converters 101–102
- Power System Engineering Research Center-Wisconsin (PSERC) 97
- power-conditioning equipments
 - 133–136
 - categorised 132–133
 - DVR 134
 - for customer service 133–136
 - isolation transformer 134
 - motor–alternator sets 134
 - TVSS 133
 - UPS 134–136
 - VAR compensators 133–134
- power-conditioning unit (PCU)
 - PEMFC 204–205
 - SOFC 216
- power-frequency (P-f) 7, 57
 - control 57, 64
- price information, required for CC operation 71–72
- prime mover speed control 66
- programmable logic controllers (PLC) 114–115
 - control function in SCADA systems 111
 - MV systems in 114
- proportional-integral-derivative (PID) control 117
- protection co-ordination module (PCM) 7, 57, 68
 - grid connected mode and 69–70
 - stand alone mode and 70–71
- protection system, of microgrid 77, 78
- protocols, communication
 - impact of microgrid on 52–53
- proton exchange membrane fuel cell (PEMFC) 24
- proton exchange membrane fuel cell (PEMFC), model
 - case study with PI controller 205–207
 - design for FLC 207–211
 - case study with 211–213
 - fuzzy rule base 210–211
 - inputs for 209
 - dynamic model of 201–204
 - main parts of 201
 - parameters 205, 206
- power-conditioning unit model 204–205
- reformer model 204

- PSERC: *see* Power System Engineering Research Center-Wisconsin (PSERC)
- PT: *see* potential transformer (PT)
- PV array, modelling of 229–232
 calculations for parameters 231–232
 equivalent circuit of connected to DC–AC inverter 229
- PV systems: *see* solar photovoltaic (PV) systems
- PX: *see* power exchange (PX)
- Q-V control: *see* voltage (Q-V) control
- reactive power and voltage control 49
- real-time optimisation 74–75
- real-time price (RTP) spikes 73
- rectifier charger, in UPS 135
- recuperator 21
- reformer model, PEMFC 204
- regulation
 ancillary services 50
 load shifting and 59–60
- regulatory information, required for CC operation 71–72
- relays
 co-ordination of ground 92–93
- Remote Intelligent Gateway (RIG) 53
- remote terminal units (RTU) 113
 control functions in SCADA systems 111
 in DNO SCADA systems 110
- reschedulable demand, load demands for microgrid 74
- restructuring models, for energy market 158–160
 Bilateral Contracts Model 159
 Hybrid Model 159
 PoolCo Model 158
- retail wheeling 170–171
- retailer, PX and 163
- RIG: *see* Remote Intelligent Gateway (RIG)
- rotor 26
- router 120
- RTP spikes: *see* real-time price (PTP) spikes
- RTU: *see* remote terminal units (RTU)
- SCADA: *see* supervisory control and data acquisition (SCADA)
- SCADA system, supervisory control and data acquisition (SCADA) system
- SCADA systems: *see* supervisory control and data acquisition (SCADA) systems
- SCR: *see* silicon-controlled rectifiers (SCR)
- SEMI F47, equipment standard 79
- sensor brick 102–103
- sequential function charts (SFC) 115
- server 120
- Service Level Agreement (SLA) 117
- SFC: *see* sequential function charts (SFC)
- SG: *see* synchronous generator (SG)
- shadow prices 47
- Shockley–Read–Hall recombination 228–229
- silicon
 amorphous 30
 hybrid 30–31
 monocrystalline 30
 multicrystalline 30
 thin-film 30
- silicon-controlled rectifiers (SCR)
 voltage notching 129
- single-shaft microturbines 19
- single-side bid market, MCP 242–243
 case study (linear supply bid with fixed demand) 244–247

- SLA: *see* Service Level Agreement (SLA)
- small-scale hydroelectric, power generation 32
- SOFC: *see* solid-oxide fuel cells (SOFC)
- SOFC power generation system 215–216
- SOFC system power output 223
- soft grid-connected DG
 - with power quality support to priority loads 139
- solar photovoltaic (PV) systems 29
 - as intermittent DG within power quality environment 140
 - PV cells: *see* photovoltaic (PV) cells
- solid-oxide fuel cells (SOFC) 25–26, 215
 - case study 220–226
 - dynamic model of 216–218
 - mechanism 215
 - model of 218–220
 - parameters 219
 - power and voltage control strategy 220
 - PCU of 216
 - three main parts of 215
- SONET: *see* synchronous optical networking (SONET)
- split-shaft microturbines 20
- spurious separations 81–82
- SSTS: *see* static source transfer switch (SSTS)
- stack current
 - PI controller 207
 - SOFC system 222
- stack voltage
 - PI controller 207
 - SOFC system 222
- stall-regulated turbines 27
- stand-alone Microgrid
 - Microgrid distribution system protection: *see* distribution system fault protection
 - protection system for 79
 - stand-alone mode 6, 67
 - functions of CC in 8
 - protection scheme for 70–71
 - stand-alone mode, MTG system 182–184
 - case 1 182–183
 - case 2 183–184
- standard computer architecture 98
- standards, communication
 - impact of microgrid on 52–53
- standby generation scheme, DG
 - integration and simple 137–138
- static bypass switch, in UPS 135
- static source transfer switch (SSTS) 128, 133
- Station Control Unit (SCU) 122
- steam reforming 22
- step load change
 - PI controller 206
 - SOFC system 221
- stirling engines 17–18
- storage management, energy 67
- storage methods
 - demand-limited partial storage 39
 - full storage 39
 - load-levelling partial storage 39
- stranded costs 166
- structural bus 104
- sub-station communication
 - standardisation 118–119
- supervisory control and data acquisition (SCADA) systems 11, 53–54, 68, 107
- centralised 110–111
- communication
 - and control architecture 119
 - observations on 120–122
 - trends 116–117
- distributed 111
- hardware components of 112–116
- communication infrastructure 115–116

master station and HMI
 computers 115
 PLC 114–115
 RTU 113
 in Microgrids 111–112
 sub-station communication
 standardisation 118–119
 supplemental reserve, ancillary
 services 50
 surge arrester ratings 91–92
 switch 119
 synchronous generator (SG) 20
 synchronous optical networking
 (SONET) 115
 system black start, ancillary
 services 51
 system configuration, DG 253–255
 system controls, in UPS 135

T&D: *see* transmission and
 distribution (T&D)
 tariff information, required for CC
 operation 71–72
 TES systems: *see* thermal energy
 storage (TES) systems
 THC: *see* total hydrocarbons (THC)
 thermal bus 104
 thermal energy storage (TES)
 systems 35, 39, 60
 thermal energy, supply of 36–38
 thermal interference, BBS
 framework 106
 thin-film silicon 30
 tight power pools 160
 time of use (TOU) rates 73
 time-graded coordination 86
 tip speed ratio (TSR) 27
 total hydrocarbons (THC) 46
 total transfer capability (TTC) 164
 TOU rates: *see* time of use (TOU)
 rates
 traditional power system economics,
 and Microgrids 146–148
 transformer brick 102

transient voltage surge suppressors
 (TVSS) 127, 133
 transients 127
 transmission and distribution (T&D)
 2, 36
 transmission congestion, cost of 42
 transmission pricing 166–167
 transmission reliability margin
 (TRM) 164
 transmission rights 169
 trigeneration 16
 TRM: *see* transmission reliability
 margin (TRM)
 TSR: *see* tip speed ratio (TSR)
 TTC: *see* total transfer capability
 (TTC)
 TVSS: *see* transient voltage surge
 suppressors (TVSS)

UK scenario, of Microgrid
 economics 149–155
 future developments 154–155
 microgeneration 149–152
 connection charges 150–151
 important economic issues 151
 market potential issues for
 micro-CHP 152
 revenue of distribution network
 operators 151–152
 microgeneration technologies,
 economic perspectives
 152–153
 potential benefits 153–154
 regulatory issues and regulation
 activities 152
 ultra-high reliability scheme using
 dual link DC bus 141–142
 under-voltage conditions 127–128
 uninterruptible power supply (UPS)
 64, 134–136
 integration with DG 142–143
 major advantages of 136
 scheme for double-conversion 135
 subsystems of 135–136

- unit vector calculation, in d–q model of DFIG 197
- UPS: *see* uninterruptible power supply (UPS)
- usage charges, of inter-zonal lines 169
- utilisation of unique aspects, Microgrid economics 146
- utility, PX and 162

- V-Q: *see* voltage reactive power (V-Q)
- VAR compensators 133–134
- vertical market power 165
- very large scale integration (VLSI) 98–99
- virtual private network (VPN) 116–117
- VLSI: *see* very large scale integration (VLSI)
- voltage (Q-V) control 57, 63–64
- voltage and frequency at 11 kV DG bus, DG system 256–257, 259–263
- voltage notching 129
- voltage reactive power (V-Q) 63
- voltage sags and swells 127
- voltage stiffening brick 102
- VPN: *see* virtual private network (VPN)

- WDI: *see* wet diluent injection (WDI)
- weather forecasts, information required for CC operation 72

- WECC: *see* Western Electricity Co-ordinating Council (WECC)
- WECS: *see* wind energy conversion systems (WECS)
- WECS block diagram 192
- Western Electricity Co-ordinating Council (WECC) 51
- wet diluent injection (WDI) 47
- wind energy conversion systems (WECS) 26
- wind turbine operating systems
 - constant speed wind turbines 27–28
 - variable speed wind turbine system 28–29
- wind turbines
 - as intermittent DG within power quality environment 140–141
 - constant speed 27–28
 - variable speed 28
- wind velocity model, DFIG WECS 192–193
- wind velocity profile, synthesis of 193
- Wisconsin Power Electronics Research Center (WisPERC) 97
- WisPERC: *see* Wisconsin Power Electronics Research Center (WisPERC)

- zero-*n* conversion, in d–q model of DFIG 197

Microgrids and Active Distribution Networks

A successor of *Embedded Generation* by Nick Jenkins and his colleagues, this book is a timely publication for an evolving industry. Renewable energy, ancillary services and deregulation of the power industry are changing electricity delivery networks. Microgrids, smartgrids and active distribution networks require a sound understanding of the basic concepts, generation technologies, impacts, operation, control and management, economic viability and market participation involved in grid integration. Practising engineers in utilities and industry, researchers and students will appreciate this lucid description of the technologies that will enable future electricity systems.

S. Chowdhury is a Senior Research Officer at the Electrical Engineering Department, University of Cape Town, South Africa. She was a consulting engineer at M.N. Dastur and Co. Ltd from 1991 to 1996 and then held various academic posts at Women's Polytechnic, Kolkata, India from 1998 to 2007. She is a member of the IET, IE (India) and IEEE.

S.P. Chowdhury is Associate Professor at the Electrical Engineering Department, University of Cape Town, South Africa. He was Lecturer, Senior Lecturer, Reader then Professor at Jadavpur University, India between 1993 and 2008. He is a fellow of the IET (with CEng), IE (India) and IETE (India), and member of the IEEE. He is on the IET Knowledge Management Board, previously Technical Professional Service Board.

P. Crossley has been Director of the Joule Centre since 2008 and Professor of Power Systems since 2006 at the University of Manchester. He was at Queen's University, Belfast as Professor and Director of the Power and Energy research cluster from 2002 to 2006 and at UMIST as Lecturer, Senior Lecturer then Reader from 1991 to 2002.

The industrial and academic careers of the authors involve education, research, design and development in electrical power engineering and renewable energy systems. S. and S.P. Chowdhury have carried out collaborative research in renewable energy, distributed generation and Microgrids with Brunel University and the University of Manchester. P. Crossley was a senior technical engineer and manager of the Research & Long-Term Development Group at GEC Measurements (now a part of Asea T&D) before moving to academia.

ISBN 978-1-84919-014-5



9 781849 190145

The Institution of Engineering and Technology
www.theiet.org
978-1-84919-014-5